

Milwaukee®

Nothing but **HEAVY DUTY**®



AG 12-115 X **AG 12-125 X** **AGV 12-125 X** **AGV 12-125 XPD**

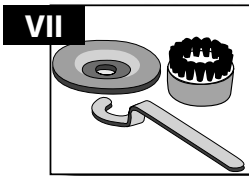
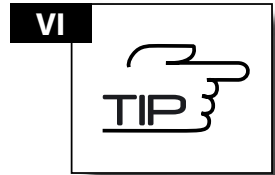
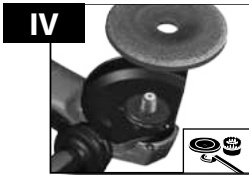
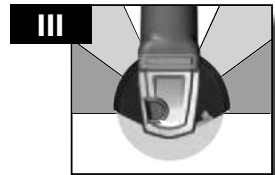
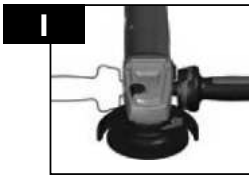
Original instructions
Originalbetriebsanleitung
Notice originale
Istruzioni originali
Manual original
Manual original
Oorspronkelijke
gebruiksaanwijzing
Original brugsanvisning
Original bruksanvisning
Bruksanvisning i original

Alkuperäiset ohjeet
Πρωτότυπο οδηγιών χρήσης
Orijinal işletme talimatı
Původním návodem k
používání
Pôvodný návod na použitie
Instrukcją oryginalną
Eredeti használati utasítás
Izvirna navodila
Originalne pogonske upute
Instrukcijām oriēinālvadā

Originali instrukcija
Algupärane kasutusjuhend
Оригинальное руководство
по эксплуатации
Оригинално ръководство за
експлоатация
Instrucțiuni de folosire
originale
Оригинален прирачник за
работа
原始的指南

Technical Data, Safety Instructions, Specified Conditions of Use, EC-Declaration of Conformity, Mains connection, Maintenance, Symbols	Please read and save these instructions!	English	14
Technische Daten, Sicherheitshinweise, Bestimmungsgemäße Verwendung, CE-Konformitätserklärung, Netzanschluss, Wartung, Symbole	Bitte lesen und aufbewahren!	Deutsch	18
Caractéristiques techniques, Instructions de sécurité, Utilisation conforme aux prescriptions, Déclaration CE de Conformité, Branchement secteur, Entretien, Symboles	A lire et à conserver soigneusement	Français	22
Dati tecnici, Norme di sicurezza, Utilizzo conforme, Dichiarazione di Conformità CE, Collegamento alla rete, Manutenzione, Simboli	Si prega di leggere e conservare le istruzioni!	Italiano	26
Datos técnicos, Instrucciones de seguridad, Aplicación de acuerdo a la finalidad, Declaración de Conformidad CE, Conexión eléctrica, Mantenimiento, Símbolos	Lea y conserve estas instrucciones por favor!	Español	31
Características técnicas, Instruções de segurança, Utilização autorizada, Declaração CE de Conformidade CE, Ligação à rede, Manutenção, Símbolo	Por favor leia e conserve em seu poder!	Português	35
Technische gegevens, Veiligheidsadviezen, Voorgeschreven gebruik van het systeem, EC-Konformiteitsverklaring, Netaansluiting, Onderhoud, Symbolen	Lees en let goed op deze adviezen!	Nederlands	39
Tekniske data, Sikkerhedshenvisninger, Tiltænk formål, CE-Konformitetserklæring, Netttilslutning, Vedligeholdelse, Symboler	Vær venlig at læse og Opbevare!	Dansk	43
Tekniske data, Spesielle sikkerhedshenvisninger, Formålsmessig bruk, CE-Samsvarserklæring, Netttilkopling, Vedlikehold, Symboler	Vennligst les og oppbevar!	Norsk	47
Tekniska data, Säkerhetsutrustning, Använd maskinen Enligt anvisningarna, CEFörsäkran, Nätanslutning, Skötsel, Symboler	Läs igenom och spara!	Svenska	51
Tekniset arvot, Turvallisuusohjeet, Tarkoituksenmukainen käyttö, Todistus CE-standardinmukaisuudesta, Verkkoliitäntä, Huolto, Symbolit	Lue ja säilytä!	Suomi	55
Τεχνικά στοιχεία, Ειδικές υποδείξεις ασφάλειας, Χρήση σύμφωνα με το σκοπό προοριζομένου, Δήλωση πιστότητας ΕΚ, Μπαταρίες, Χαρακτηριστικά, Συντήρηση, Σύμβολα.	Παρακαλώ διαβάστε τις και φυλάξτε τις!	Ελληνικά	59
Teknik veriler, Güvenliğinizi için talimatlar, Kullanım, CE uygunluk beyanince, Şebeke bağlantısı, Bakım, Semboller	Lütfen okuyun ve saklayın	Türkçe	64
Technická data, Speciální bezpečnostní upozornění, Oblast využití, Ce-prohlášení o shodě, Připojení na síť, Údržba, Symboly	Po přečtení uschovejte	Česky	68
Technické údaje, Speciálne bezpečnostné pokyny, Použitie podľa predpisov, CE-Vyhľadanie konformity, Sieťová prípojka, Údržba, Symboly	Prosím prečítať a uschovať!	Slovensky	72
Dane techniczne, Specjalne zalecenia dotyczace bezpieczonestwa, Uzytkowanie zgodne z przeznaczeniem, Swiadectwo zgodnosci ce, Podlaczenie do sieci, Gwarancja, Symbole	Należy uważnie przeczytać i zachować do wglądu!	Polski	76
Műszaki adatok, Különleges biztonsági tudnivalók, Rendeltetésszerű használat, Ce-azonossági nyilatkozatok, Hálózati csatlakoztatás, Karbantartás, Szimbólumok	Olvassa el és őrizze meg	Magyar	80
Tehnični podatki, Specialni varnostni napotki, Uporaba v skladu z namembnostjo, Ce-izjava o konformnosti, Omežni priključek, Vzdrževanje, Simboli	Prosimo preberite in shranite!	Slovensko	84
Tehnički podaci, Specijalne sigurnosne upute, Propisna upotreba, CE-Izjava konformnosti, Priključak na mrežu, Održavanje, Simboli	Molimo pročitati i sačuvati	Hrvatski	92
Tehniske dati, Speciālie drošības noteikumi, Noteikumiem atbilstošs izmantojums, Atbilstība CE normām, Tīkla pieslēgums, Apkope, Simboli	Pielikums lietošanas pamācībai	Latviski	96
Tehniniai duomenys, Ypatingos saugumo nuorodos, Naudojimas pagal paskirti, CE Atitikties pareiškimas, Elektros tinklo jungtis, Techninis aptarnavimas, Simboliai	Prašome perskaityti ir neišmesti!	Lietuviškai	100
Tehnilised andmed, Spetsiaalsed turvajuhised, Kasutamine vastavalt otstarbele, EU Vastavusavaldus, Võrku ühendamine, Hooldus, Sümbolid	Palun lugege läbi ja hoidke alal!	Eesti	104
Технические данные, Рекомендации по технике безопасности, Исполъзо- вание, Подключение к электросети, Обслуживание, Символы	Пожалуйста прочтите и сохраните эту инструкцию.	Русский	109
Технически данни, Специални указания за безопасност, Използване по предназначение, CE-Декларация за съответствие, Свързване към мрежата, Поддръжка, Символи	Моля прочетете и запазете!	Български	114
Date tehnice, Instrucțiuni de securitate, Condiții de utilizare specificate, Declarație de conformitate, Accumulatori, Întreținere, Simboluri	Va rugăm citiți și păstrați aceste instrucțiuni	Română	118
Технички Податоци, Упатство За Употреба, Специфицирани Услови На Употреба, Еу-декларација За Сообразност, БАТЕРИЈА, Одржување, Символи	Ве молиме прочитајте го и чувајте го ова упатство!	Македонски	114
技术数据, 特殊安全指示, 正确地使用机器, 电源插头, 蓄电池, 维修, 符号	请仔细阅读并妥善保存!	中文	123



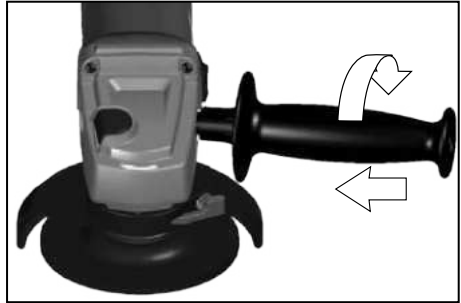
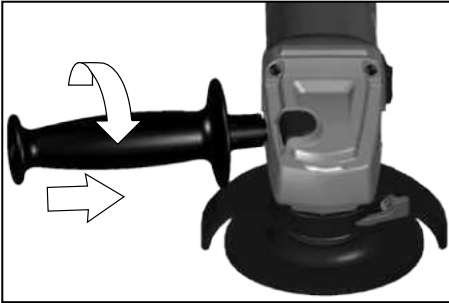


Accessory
 Zubehör
 Accessoires
 Accessorio
 Accessorio • Acessório
 Toebehoren • Tilbehør
 Tilbehør • Tillbehör
 Lisälaite • Εξαρτήματα
 Aksesuar • Příslušenství
 Príslušenstvo • Wyposażenie
 Azokát a tartozékokat
 Oprema • Piederumi
 Priedas • Tarvikud
 Дополнитель • Аксессуары
 Accessorii • ополнителна
 опрема • 配件

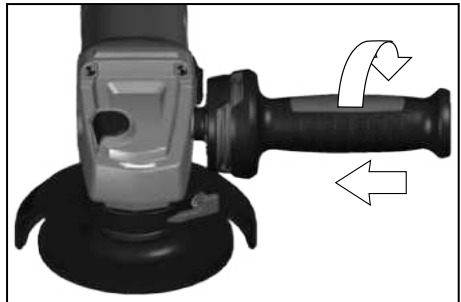
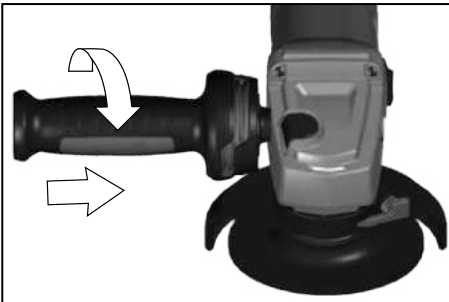


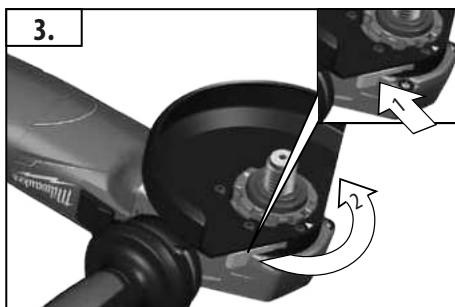
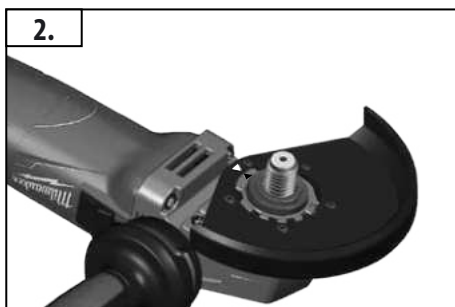
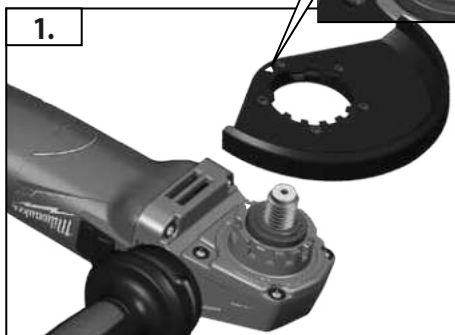
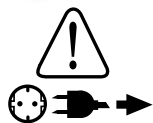


AG 12-115 X, AG 12-125 X



AGV 12-125 X, AGV 12-125 XPD





For cutting-off operations!

Für Trennarbeiten!

Pour les travaux de tronçonnage!

Per lavori di separazione!

¡Para trabajos de tronzado!

Para trabalhos de corte!

Voor doorslijpwerkzaamheden!

Til skærearbejder!

For kutting!

För kapningsarbeten!

Katkaisutöihin!

Για εργασιές κοπής!

Ayrıca işleri için!

Pro řezací práce!

Pre rezacie práce!

Do robót związanych z rozcinaniem!

Vágási munkálatokhoz!

Za razdvajalna dela!

Za odvajačke radove!

Griešanai!

Pjovimo darbams!

Lõiketöödeks!

Для работ по разделению!

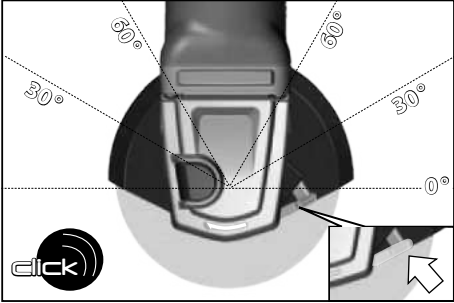
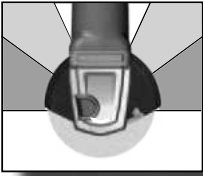
За рязане (разделяне)!

Pentru lucrări de retezare!

За работи со делење!

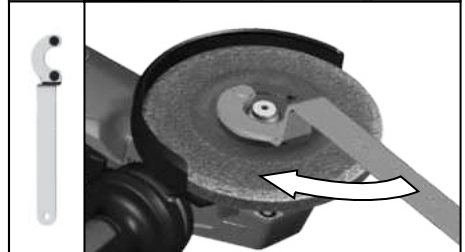
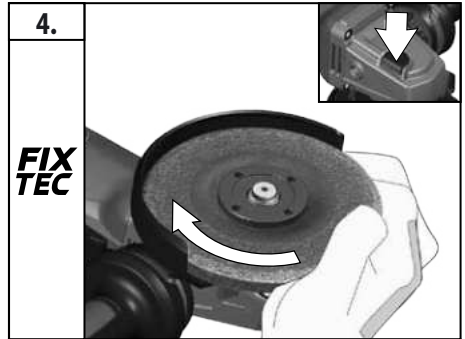
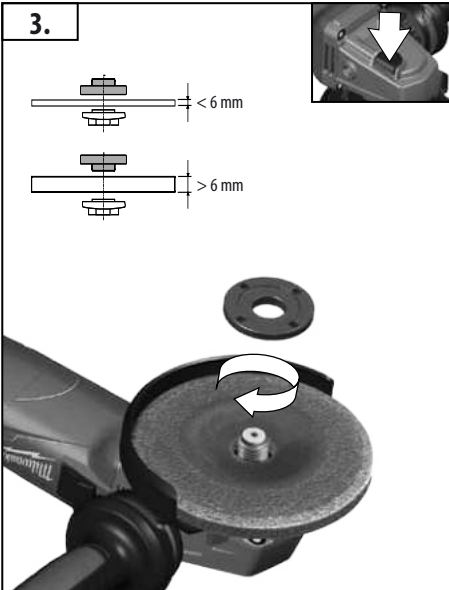
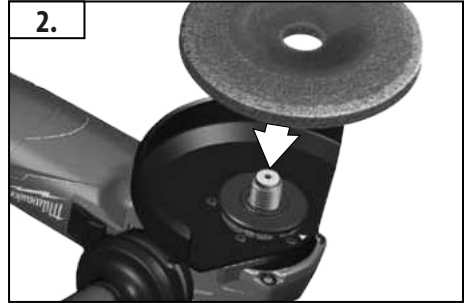
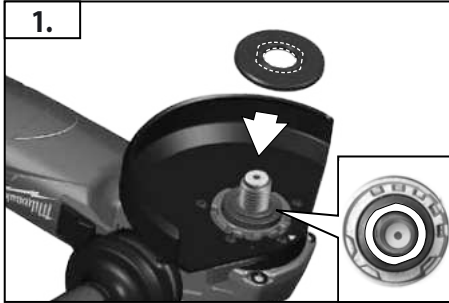
为了切割工作!







**FIX
TEC**

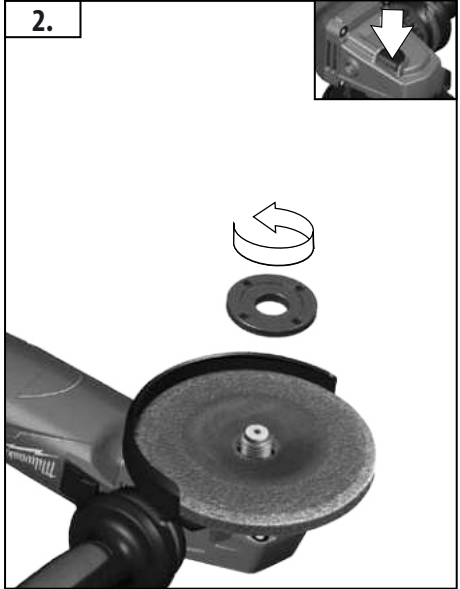
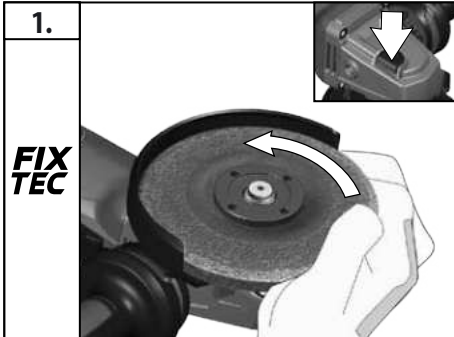




**FIX
TEC**

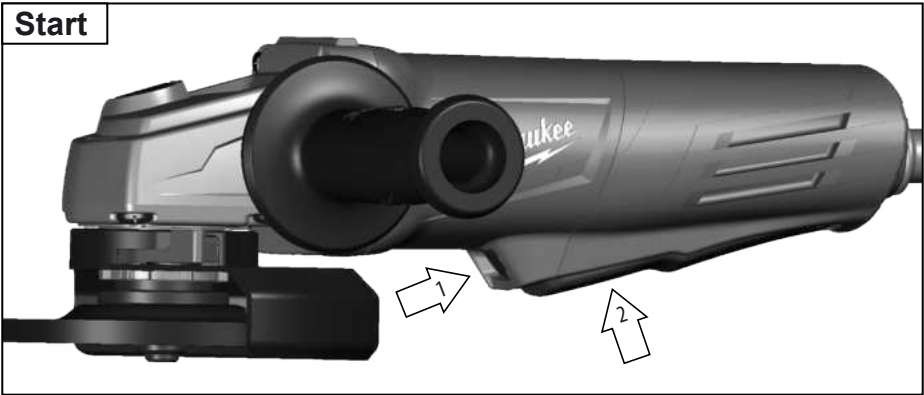


IV





AG 12-115 X
AGV 12-125 XPD



START
STOP





START
STOP

AG 12-115 X
AG 12-125 X
AGV 12-125 X

START
STOP

Start



Stop





AGV 12-125 X AGV 15-125 XC AGV 12-125 XPD

Startup protection:

The tool will not restart after an interruption of the mains supply without releasing and reactuating the switch.

Wiederanlaufschutz:

Eingeschaltete Maschine läuft nach Spannungsausfall nicht wieder an. Um weiter zu arbeiten Maschine aus- und wieder einschalten.

Dispositif de protection contre un redemarrage

Après une coupure de tension, la machine enclenchée ne redémarre pas. Pour continuer à travailler, il convient d'éteindre la machine et de l'endecher à nouveau.

Protezione contro il riavvio

La macchina accesa non riparte in seguito alla caduta della tensione. Per poter continuare a lavorare bisogna prima spegnere e poi riaccendere la macchina.

Protección contra el reanrrique

La máquina conectada no se vuelve a poner en marcha después de un fallo de corriente. Para continuar el trabajo, desconectar y volver a conectar la máquina.

Proteção de reinício

Quando está ligada, após uma falha de energia a máquina não retoma o seu funcionamento. Para prosseguir o trabalho, desligar a máquina e voltar a ligá-la.

Herstartbeveiliging

Na spanningsuitval schakelt de machine niet automatisch weer in. Schakel de machine uit en weer in om door te kunnen werken.

Genstartsbeskyttelse

I tilfælde af spændingsudfald, mens maskinen kører, går den ikke i gang igen, når spændingen kommer tilbage. For at genoptage arbejdet skal maskinen slukkes og tændes igen.

Automatisk gjenstartsbeskyttelse

En påslått maskin begynner ikke automatisk å gå igjen etter strømbrudd. For å kunne fortsette å arbeide må maskinen skues av og så på igjen.

Återstartsskydd

En påslagen maskin startar inte själv efter ett strömavbrott. Stång först av och slå sedan på maskinen igen för att fortsätta att arbeta.

Uudelleenkäynnistysuojat

Päällekytketty kone ei käynnisty sähkökatkon jälkeen uudestaan. Työn jatkamiseksi tulee kone sammuttaa ja käynnistää uudelleen.

Προστασία επανεκκίνησης

Η ενεργοποιημένη μηχανή δεν ξεκινά πάλι από μόνη της μετά από μια πτώση ρεύματος. Για να συνεχίσετε την εργασία, απενεργοποιείτε και ενεργοποιείτε πάλι τη μηχανή.

Tekrar çalıştırma koruma

Çalıştırılan makine voltaj kaybindan sonra yeniden çalışmaz. Makineyi tekrar çalıştırmak için kapatın ve tekrar açın.

Ochrana proti opětovnému náběhu

Zapnutá rozbrušovačka se v případě výpadku proudu po jeho opětovném zapnutí sama nerozbehne. K pokračování práce se rozbrušovačka musí vypnout a opět zapnout.

Ochrana proti opätovnému nábehu

Zapnutá rozbrušovačka sa v prípade výpadku prúdu po jeho opätovnom zapnutí sama nerozbehne. K pokračovaniu práce sa rozbrušovačka musí vypnúť a opäť zapnúť.

Zabezpečenie przed ponownym uruchomieniem

Włączone urządzenie nie uruchamia się z powrotem po ustąpieniu zaniku napięcia. Aby móc kontynuować pracę, urządzenie należy wyłączyć, a potem z powrotem włączyć.

Újraindulás elleni védelem

A bekapcsolt gép feszültségkimaradás után ismét elindul. A munka folytatásához a gépet ki és újra be kell kapcsolni.

Zaščita pred ponovnim zagonom

Vklopljen stroj se po izpadu napetosti ponovno ne zažene. Za nadaljevanje dela stroj izklopite in ponovno vklopite.

Zaščita protiv ponovnog pokretanja

Uključeni stroj poslije nestanka napona više ne starta. Da bi se dalje radilo, stroj isključiti i ponovno uključiti.

Aizsardzība pret atkārtotu palaišanu

Pārūkstatot strāvas padevei, ieslēgtā ierīce no jauna neieslēdzas. Darba turpināšanai ierīci izslēgt un ieslēgt no jauna.

Apsauga nuo pakartotinio įsijungimo

Jei darbu metu dingsta įtampa, įsūtvarčius, mašina neįsijungia automatiškai. Norint vėl dirbti su mašina, reikia ją išjungti ir vėl įjungti.

Taaskäivituskaitse

Sisselülitatud masin ei käivitu enam uuesti pärast voolukatkestust. Töö jätkamiseks lülitage masin välja ja seejärel taas sisse.

Защита от повторного включения

При исчезновении напряжения устройство не работает. Для продолжения работы устройство выключите и снова включите.

Защита от повторно пуска

След спирание на електрозахранването включената машина не започва да работи отново. За да продължите работа изключете и отново включете машината.

Protección contra repormiri

Mašina conectată nu repornește după o intrerupere de curent. Pentru a putea lucra în continuare, mașina trebuie oprită și apoi repornită.

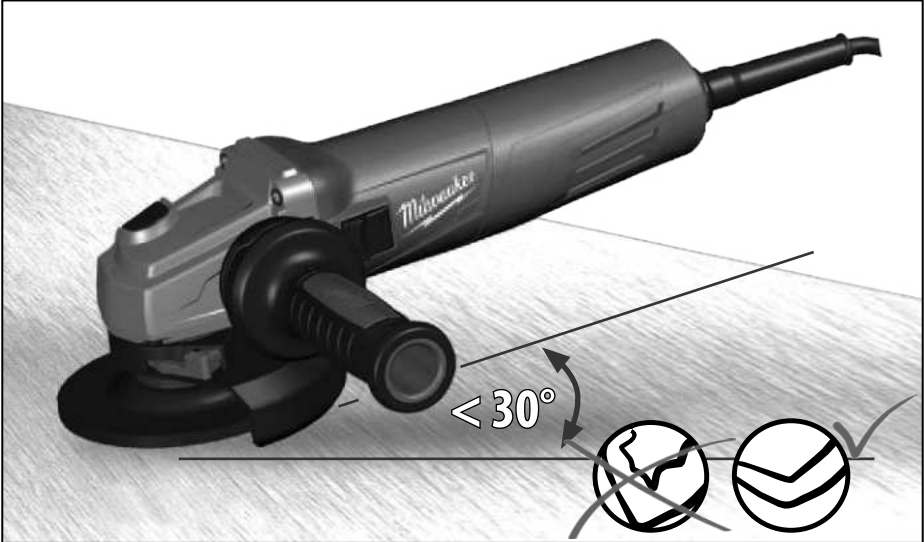
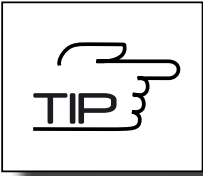
Защита од повторно придвижување

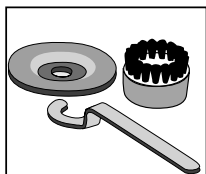
Вклучената машина во случај на снемување струја не се вклучува повторно, а да продолжите со работа изклучете ја машината и вклучете ја повторно.

再启动保护

电压消失后开动的机器不自动启动。为继续工作要将机器关闭并再启动。







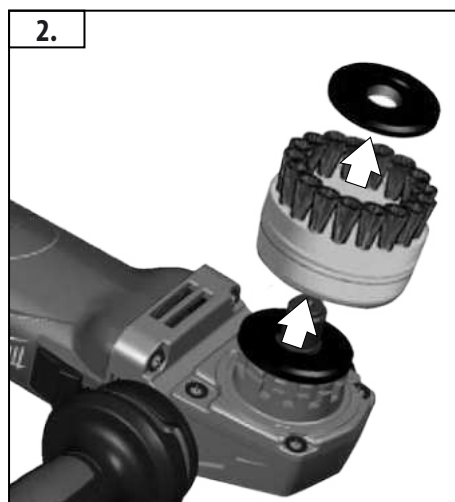
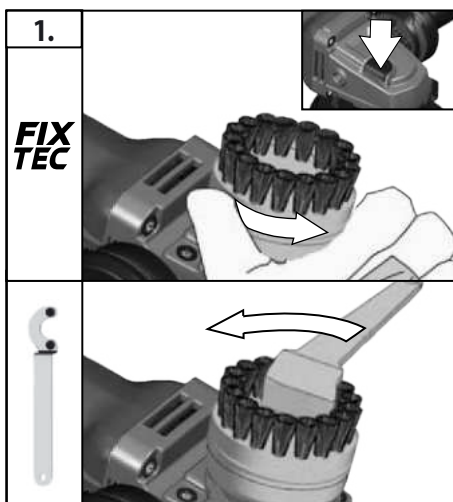
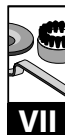
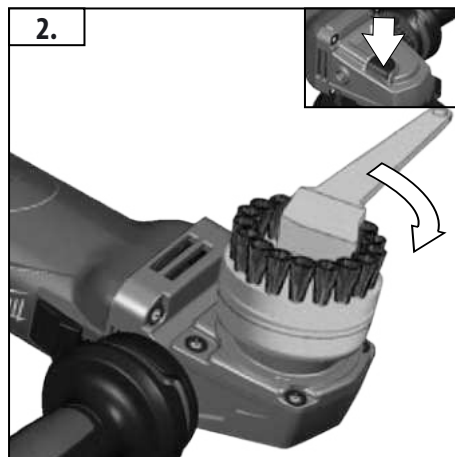
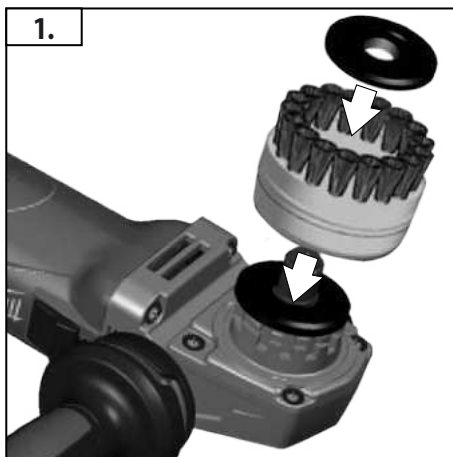
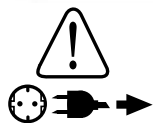
**FIX
TEC**

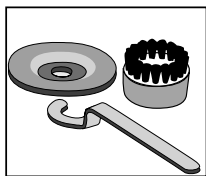
Accessory
Zubehör
Accessoire
Accessorio
Accessorio
Acessório
Tøbehøren
Tilbehør

Tilbehør
Tilbehør
Lisälaite
Εξαρτήματα
Aksesuar
Prisluženství
Prisluženstvo
Element

wyposażenia
dodatkowego
Tartozék
Oprema
Pribor
Papildus
aprīkojums
Priedas

Tarvikud
Дополнитель
Акcesoар
Ассесории
Додатоци
配件





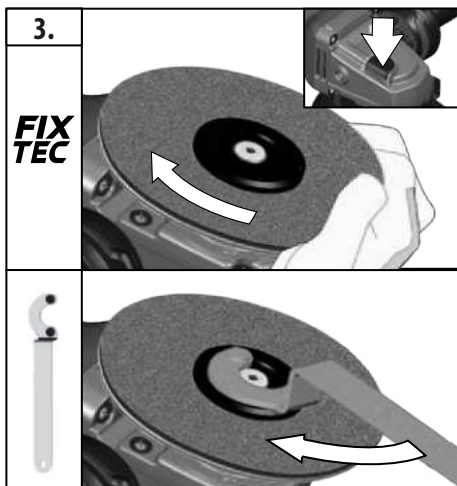
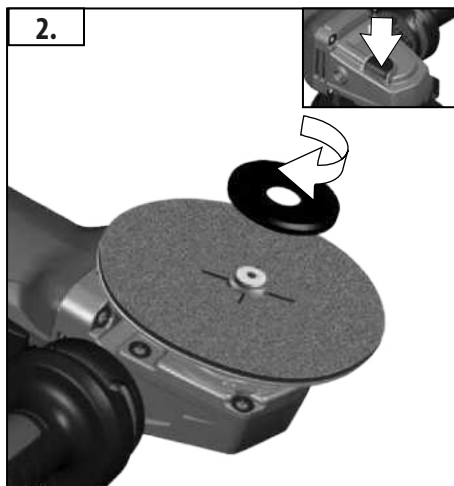
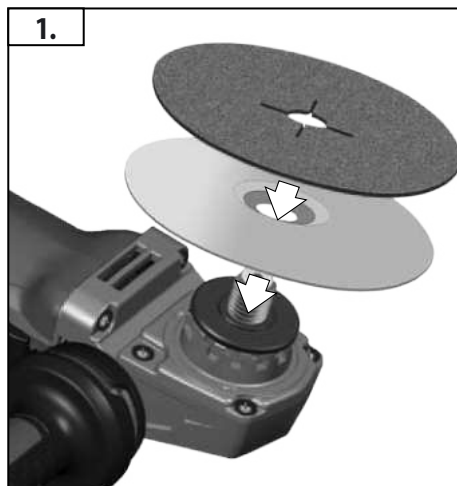
**FIX
TEC**

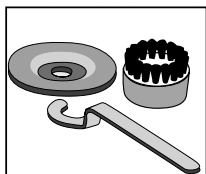
Accessory
Zubehör
Accessoire
Accessorio
Accessorio
Accessório
Tøbehørem
Tilbehør

Tilbehør
Tilbehør
Lisälaite
Εξαρτήματα
Aksesuar
Prislušenství
Prisluženstvo
Element

wyposażenia
dodatkowego
Tartozék
Oprema
Pribor
Papildus
aprīkojums
Priedas

Tarvikud
Дополнитель
Аксесоар
Ассесории
Додатоци
配件





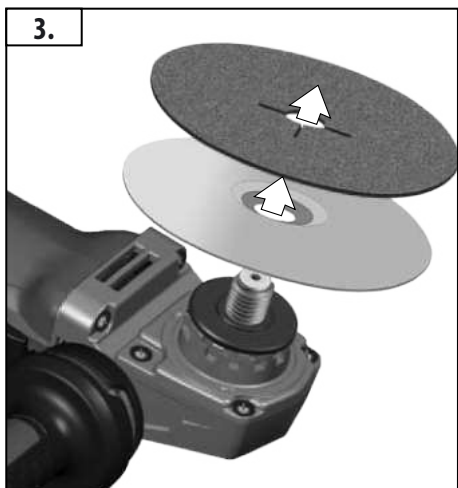
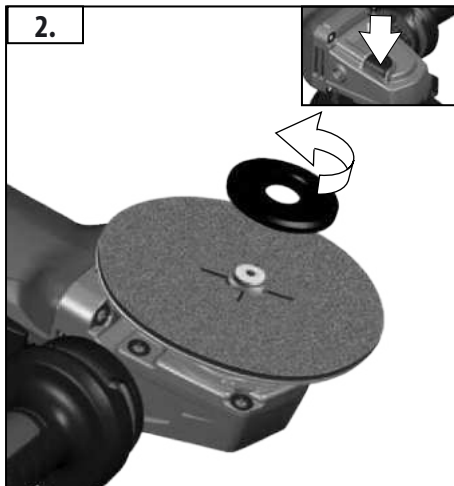
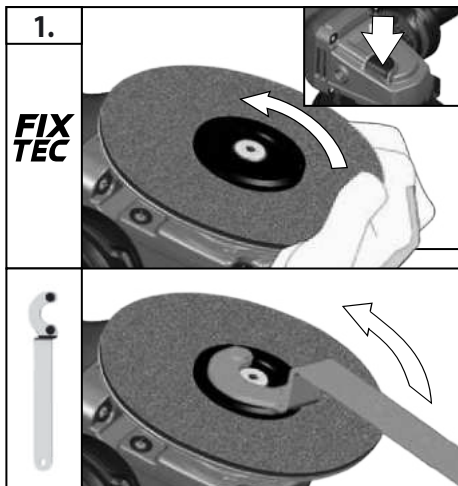
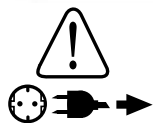
**FIX
TEC**

Accessory
Zubehör
Accessoire
Accessorio
Accessorio
Acessório
Tøbehørem
Tilbehør

Tilbehør
Tilbehør
Lisälaite
Εξαρτήματα
Aksesuar
Prislušenství
Prisluženstvo
Element

wyposażenia
dodatkowego
Tartozék
Oprema
Pribor
Papildus
aprīkojums
Priedas

Tarvikud
Дополнитель
Аксесоар
Ассесории
Додатоци
配件



TECHNICAL DATA Angle Grinder	AG 12-115 X (220-240 V)	AG 12-115 X (110-120 V)	AG 12-125 X (220-240 V)
Production code	4281 36 01... 4280 51 01... 4280 61 01... ... 000001-999999	4281 41 01... 4280 66 01... ... 000001-999999	4280 78 01... ... 000001-999999
Rated input	1200 W	1200 W	1200 W
Rated speed	11000 min ⁻¹	11000 min ⁻¹	11000 min ⁻¹
Grinding disk diameter	115 mm	115 mm	125 mm
Wheel thickness	6 mm (1/4")	6 mm (1/4")	6 mm (1/4")
Thread of work spindle	M 14	M 14	M 14
Weight according EPTA-Procedure 01/2003	2,3 kg	2,3 kg	2,3 kg
Noise/Vibration Information Measured values determined according to EN 60 745. Typically, the A-weighted noise levels of the tool are: Sound pressure level (K=3dB(A)) Sound power level (K=3dB(A))	89,0 dB(A) 100,0 dB(A)	89,5 dB(A) 100,5 dB(A)	89,0 dB(A) 100,0 dB(A)
Wear ear protectors! Total vibration values (vector sum in the three axes) determined according to EN 60745. Surface grinding: Vibration emission value a _h Uncertainty K= Disk sanding: Vibration emission value a _h Uncertainty K=	7,8 m/s ² 1,5 m/s ² 3,6 m/s ² 1,5 m/s ²	6,8 m/s ² 1,5 m/s ² 4,5 m/s ² 1,5 m/s ²	7,8 m/s ² 1,5 m/s ² 3,6 m/s ² 1,5 m/s ²



TECHNICAL DATA Angle Grinder	AGV 12-125 X (220-240 V)	AGV 12-125 X PD (220-240 V)
Production code	4280 86 01... ... 000001-999999	4332 41 01... ... 000001-999999
Rated input	1200 W	1200 W
Rated speed	11000 min ⁻¹	11000 min ⁻¹
Grinding disk diameter	125 mm	125 mm
Wheel thickness	6 mm (1/4")	6 mm (1/4")
Thread of work spindle	M 14	M 14
Weight according EPTA-Procedure 01/2003	2,4 kg	2,4 kg
Noise/Vibration Information Measured values determined according to EN 60 745. Typically, the A-weighted noise levels of the tool are: Sound pressure level (K=3dB(A)) Sound power level (K=3dB(A))	89,0 dB(A) 100,0 dB(A)	89,0 dB(A) 100,0 dB(A)
Wear ear protectors! Total vibration values (vector sum in the three axes) determined according to EN 60745. Surface grinding: Vibration emission value a _h Uncertainty K= Disk sanding: Vibration emission value a _h Uncertainty K=	7,8 m/s ² 1,5 m/s ² 3,6 m/s ² 1,5 m/s ²	7,8 m/s ² 1,5 m/s ² 3,6 m/s ² 1,5 m/s ²

WARNING

The vibration emission level given in this information sheet has been measured in accordance with a standardised test given in EN 60745 and may be used to compare one tool with another. It may be used for a preliminary assessment of exposure.

The declared vibration emission level represents the main applications of the tool. However if the tool is used for different applications, with different accessories or poorly maintained, the vibration emission may differ. This may significantly increase the exposure level over the total working period.

An estimation of the level of exposure to vibration should also take into account the times when the tool is switched off or when it is running but not actually doing the job. This may significantly reduce the exposure level over the total working period.

Identify additional safety measures to protect the operator from the effects of vibration such as: maintain the tool and the accessories, keep the hands warm, organisation of work patterns.

⚠ WARNING! Read all safety warnings and all instructions, including those given in the accompanying brochure. Failure to follow the warnings and instructions may result in electric shock, fire and/or serious injury.
Save all warnings and instructions for future reference.

SAFETY INSTRUCTIONS

Safety Warnings Common for Grinding, Sanding, Wire Brushing or Abrasive Cutting-Off Operations:

- a) This power tool is intended to function as a grinder, sander, wire brush or cut-off tool. Read all safety warnings, instructions, illustrations and specifications provided with this power tool.** Failure to follow all instructions listed below may result in electric shock, fire and/or serious injury.
- b) Operations such as polishing are not recommended to be performed with this power tool.** Operations for which the power tool was not designed may create a hazard and cause personal injury.
- c) Do not use accessories which are not specifically designed and recommended by the tool manufacturer.** Just because the accessory can be attached to your power tool, it does not assure safe operation.
- d) The rated speed of the accessory must be at least equal to the maximum speed marked on the power tool.** Accessories running faster than their rated speed can break and fly apart.
- e) The outside diameter and the thickness of your accessory must be within the capacity rating of your power tool.** Incorrectly sized accessories cannot be adequately guarded or controlled.
- f) The arbour size of wheels, flanges, backing pads or any other accessory must properly fit the spindle of the power tool.** Accessories with arbour holes that do not match the mounting hardware of the power tool will run out of balance, vibrate excessively and may cause loss of control.
- g) Do not use a damaged accessory. Before each use inspect the accessory such as abrasive wheels for chips and cracks, backing pad for cracks, tear or excess wear, wire brush for loose or cracked wires. If power tool or accessory is dropped, inspect for damage or install an undamaged accessory. After inspecting and installing an accessory, position yourself and bystanders away from the plane of the rotating accessory and run the power tool at maximum no-load speed for one minute.** Damaged accessories will normally break apart during this test time.
- h) Wear personal protective equipment. Depending on application, use face shield, safety goggles or safety glasses. As appropriate, wear dust mask, hearing protectors, gloves and shop apron capable of stopping small abrasive or workpiece fragments.** The eye protection must be capable of stopping flying debris generated by various operations. The dust mask or respirator must be capable of filtering particles generated by your operation. Prolonged exposure to high intensity noise may cause hearing loss.
- i) Keep bystanders a safe distance away from work area. Anyone entering the work area must wear personal protective equipment.** Fragments of workpiece or of a broken accessory may fly away and cause injury beyond immediate area of operation.
- j) Hold the power tool by insulated gripping surfaces only, when performing an operation where the cutting tool may contact hidden wiring or its own cord.** Cutting accessory contacting a „live“ wire may make exposed metal parts of the power tool „live“ and could give the operator an electric shock.

k) Position the cord clear of the spinning accessory. If you lose control, the cord may be cut or snagged and your hand or arm may be pulled into the spinning accessory.

l) Never lay the power tool down until the accessory has come to a complete stop. The spinning accessory may grab the surface and pull the power tool out of your control.

m) Do not run the power tool while carrying it at your side.

Accidental contact with the spinning accessory could snag your clothing, pulling the accessory into your body.

n) Regularly clean the power tool's air vents. The motor's fan will draw the dust inside the housing and excessive accumulation of powdered metal may cause electrical hazards.

o) Do not operate the power tool near flammable materials. Sparks could ignite these materials.

p) Do not use accessories that require liquid coolants. Using water or other liquid coolants may result in electrocution or shock.

Kickback and Related Warnings

Kickback is a sudden reaction to a pinched or snagged rotating wheel, backing pad, brush or any other accessory. Pinching or snagging causes rapid stalling of the rotating accessory which in turn causes the uncontrolled power tool to be forced in the direction opposite of the accessory's rotation at the point of the binding.

For example, if an abrasive wheel is snagged or pinched by the workpiece, the edge of the wheel that is entering into the pinch point can dig into the surface of the material causing the wheel to climb out or kick out. The wheel may either jump toward or away from the operator, depending on direction of the wheel's movement at the point of pinching. Abrasive wheels may also break under these conditions.

Kickback is the result of power tool misuse and/or incorrect operating procedures or conditions and can be avoided by taking proper precautions as given below.

- a) Maintain a firm grip on the power tool and position your body and arm to allow you to resist kickback forces. Always use auxiliary handle, if provided, for maximum control over kickback or torque reaction during start-up.** The operator can control torque reactions or kickback forces, if proper precautions are taken.
- b) Never place your hand near the rotating accessory.** Accessory may kickback over your hand.
- c) Do not position your body in the area where power tool will move if kickback occurs.** Kickback will propel the tool in direction opposite to the wheel's movement at the point of snagging.
- d) Use special care when working corners, sharp edges etc. Avoid bouncing and snagging the accessory.** Corners, sharp edges or bouncing have a tendency to snag the rotating accessory and cause loss of control or kickback.
- e) Do not attach a saw chain woodcarving blade or toothed saw blade.** Such blades create frequent kickback and loss of control.

Safety Warnings Specific for Grinding and Abrasive Cutting-Off Operations:

- a) Use only wheel types that are recommended for your power tool and the specific guard designed for the selected wheel.** Wheels for which the power tool was not designed cannot be adequately guarded and are unsafe.
- b) The grinding surface of the centre depressed wheels must be mounted below the plane of the guard lip.** An improperly mounted wheel that projects through the plane of the guard lip cannot be adequately protected.



c) The guard must be securely attached to the power tool and positioned for maximum safety, so the least amount of wheel is exposed towards the operator. The guard helps to protect the operator from broken wheel fragments, accidental contact with wheel and sparks that could ignite clothing.

d) Wheels must be used only for recommended applications. For example: do not grind with the side of cut-off wheel. Abrasive cut-off wheels are intended for peripheral grinding, side forces applied to these wheels may cause them to shatter.

e) Always use undamaged wheel flanges that are of correct size and shape for your selected wheel. Proper wheel flanges support the wheel thus reducing the possibility of wheel breakage. Flanges for cut-off wheels may be different from grinding wheel flanges.

f) Do not use worn down wheels from larger power tools. Wheel intended for larger power tool is not suitable for the higher speed of a smaller tool and may burst.



Additional Safety Warnings Specific for Abrasive Cutting-Off Operations:

a) Do not “jam” the cut-off wheel or apply excessive pressure. Do not attempt to make an excessive depth of cut. Overstressing the wheel increases the loading and susceptibility to twisting or binding of the wheel in the cut and the possibility of kickback or wheel breakage.

b) Do not position your body in line with and behind the rotating wheel. When the wheel, at the point of operation, is moving away from your body, the possible kickback may propel the spinning wheel and the power tool directly at you.

c) When wheel is binding or when interrupting a cut for any reason, switch off the power tool and hold the power tool motionless until the wheel comes to a complete stop. Never attempt to remove the cut-off wheel from the cut while the wheel is in motion otherwise kickback may occur. Investigate and take corrective action to eliminate the cause of wheel binding.

d) Do not restart the cutting operation in the workpiece. Let the wheel reach full speed and carefully re-enter the cut. The wheel may bind, wall up or kick back if the power tool is restarted in the workpiece.

e) Support panels or any oversized workpiece to minimize the risk of wheel pinching and kickback. Large workpieces tend to sag under their own weight. Supports must be placed under the workpiece near the line of cut and near the edge of the workpiece on both sides of the wheel.

f) Use extra caution when making a “pocket cut” into existing walls or other blind areas. The protruding wheel may cut gas or water pipes, electrical wiring or objects that can cause kickback.

Safety Warnings Specific for Sanding Operations:

a) Do not use excessively oversized sanding disc paper. Follow manufacturers recommendations, when selecting sanding paper. Larger sanding paper extending beyond the sanding pad presents a laceration hazard and may cause snagging, tearing of the disc or kickback.

Safety Warnings Specific for Wire Brushing Operations:

a) Be aware that wire bristles are thrown by the brush even during ordinary operation. Do not overstress the wires by applying excessive load to the brush. The wire bristles can easily penetrate light clothing and/or skin.

b) If the use of a guard is recommended for wire brushing, do not allow any interference of the wire wheel or brush with the guard. Wire wheel or brush may expand in diameter due to work load and centrifugal forces.

Appliances used at many different locations including open air should be connected via a residual current device (FI, RCD, PRCD) of 30mA or less.

Sawdust and splinters must not be removed while the machine is running.

Only plug-in when machine is switched off.

Never reach into the danger area of the machine when it is running.

Always use the auxiliary handle.

Always use the protecting cap when roughing-down and separating.

Immediately switch off the machine in case of considerable vibrations or if other malfunctions occur. Check the machine in order to find out the cause.

Always use and store the grinding disks according to the manufacturer's instructions.

When grinding metal, flying sparks are produced. Take care that no persons are endangered. Because of the danger of fire, no combustible materials should be located in the vicinity (spark flight zone). Do not use dust extraction.

Due care should be taken that no sparks or sanding dust flying from the workpiece come into contact with you.

When separating stone the guide shoe must be used!

The adjusting nut must be tightened before starting to work with the machine.

The workpiece must be fixed if it is not heavy enough to be steady. Never lead the workpiece to the grinding disk with your hand.

Under extreme conditions (e.g. smooth-grinding metals with the arbour and vulcanized fibre grinding wheel), significant contamination can build up on the inside of the angle grinder. For safety reasons, in such conditions the inside should be cleaned thoroughly of metal deposits and a motor circuit-breaker must be connected in series. If the motor circuit-breaker trips the machine must be sent for repair.

For accessories intended to be fitted with threaded hole wheel, ensure that the thread in the wheel is long enough to accept the spindle length.

Use the safety guard from the accessories range when performing out cutting work.

SPECIFIED CONDITIONS OF USE

The angle grinder may be used for cutting, grinding, sanding and wire brushing a wide range of materials, such as metal or stone. If you have any doubts, please refer to the instructions supplied by the accessory manufacturer.

Do not use this product in any other way as stated for normal use.

MAINS CONNECTION

Connect only to single-phase AC current and only to the system voltage indicated on the rating plate. It is also possible to connect to sockets without an earthing contact as the design conforms to safety class II.

EC-DECLARATION OF CONFORMITY

We declare under our sole responsibility that the product described under "Technical Data" fulfills all the relevant regulations and the directives 2011/65/EU (RoHS), 2004/108/EC, 2006/42/EC and the following harmonized standards have been used:

EN 60745-1:2009
EN 60745-2-3:2011
EN 55014-1:2006 + A1:2009 + A2:2011
EN 55014-2:1997 + A1:2001 + A2:2008
EN 61000-3-2:2006 + A1:2009 + A2:2009
EN 61000-3-3:2008



Winnenden, 2013-05-07

Alexander Krug / Managing Director
Authorized to compile the technical file

Techtronic Industries GmbH
Max-Eyth-Straße 10, 71364 Winnenden, Germany

MAINTENANCE

The ventilation slots of the machine must be kept clear at all times. Do not let any metal parts enter the airing slots - danger of short circuit!

Use only Milwaukee accessories and Milwaukee spare parts. Should components need to be replaced which have not been described, please contact one of our Milwaukee service agents (see our list of guarantee/service addresses).

If needed, an exploded view of the tool can be ordered. Please state the machine type printed as well as the six-digit No. on the label and order the drawing at your local service agents or directly at: Techtronic Industries GmbH, Max-Eyth-Straße 10, 71364 Winnenden, Germany.

ELECTRONICS

AGV 12-125 X, AGV 12-125 XPD

Electronic smooth start for save use prevents jerky run-up of the machine.

A zero-voltage switch prevents the machine from restarting after a power failure. On resuming work, switch the machine off and then back on again.

The machine has an overload and anti-kickback safety function and stops if it is overloaded. Please note that the machine will automatically accelerate back to its original operating speed if the load is removed from it. After it has reached its operating speed the machine is ready for use again.

SYMBOLS



Please read the instructions carefully before starting the machine.



CAUTION! WARNING! DANGER!



Always wear goggles when using the machine.



Always disconnect the plug from the socket before carrying out any work on the machine.



Accessory - Not included in standard equipment, available as an accessory.



Do not dispose of electric tools together with household waste material! In observance of European Directive 2002/96/EC on waste electrical and electronic equipment and its implementation in accordance with national law, electric tools that have reached the end of their life must be collected separately and returned to an environmentally compatible recycling facility.



Class II construction, tool in which protection against electric shock does not rely on basic insulation only, but in which additional safety precautions, such as double insulation or reinforced insulation, are provided.



TECHNISCHE DATEN Winkelschleifer	AG 12-115 X (220-240 V)	AG 12-115 X (110-120 V)	AG 12-125 X (220-240 V)
Produktionsnummer	4281 36 01... 4280 51 01... 4280 61 01... ... 000001-999999	4281 41 01... 4280 66 01... ... 000001-999999	4280 78 01... ... 000001-999999
Nennaufnahmeleistung	1200 W	1200 W	1200 W
Nennrehzahl	11000 min ⁻¹	11000 min ⁻¹	11000 min ⁻¹
Schleifscheiben-ø	115 mm	115 mm	125 mm
Schleifscheibendicke	6 mm (1/4")	6 mm (1/4")	6 mm (1/4")
Spindelgewinde	M 14	M 14	M 14
Gewicht nach EPTA-Prozedur 01/2003	2,3 kg	2,3 kg	2,3 kg
Geräusch/Vibrationsinformation Messwerte ermittelt entsprechend EN 60 745. Der A-bewertete Geräuschpegel des Gerätes beträgt typischerweise: Schalldruckpegel (K=3dB(A)) Schallleistungspegel (K=3dB(A)) Gehörschutz tragen!	89,0 dB(A) 100,0 dB(A)	89,5 dB(A) 100,5 dB(A)	89,0 dB(A) 100,0 dB(A)
Schwingungsgesamtwerte (Vektorsumme dreier Richtungen) ermittelt entsprechend EN 60745. Oberflächenschleifen: Schwingungsemissionswert a _h Unsicherheit K= Schleifen mit Schleifblatt: Schwingungsemissionswert a _h Unsicherheit K=	7,8 m/s ² 1,5 m/s ² 3,6 m/s ² 1,5 m/s ²	6,8 m/s ² 1,5 m/s ² 4,5 m/s ² 1,5 m/s ²	7,8 m/s ² 1,5 m/s ² 3,6 m/s ² 1,5 m/s ²



TECHNISCHE DATEN Winkelschleifer	AGV 12-125 X (220-240 V)	AGV 12-125 X PD (220-240 V)
Produktionsnummer	4280 86 01... ... 000001-999999	4332 41 01... ... 000001-999999
Nennaufnahmeleistung	1200 W	1200 W
Nennrehzahl	11000 min ⁻¹	11000 min ⁻¹
Schleifscheiben-ø	125 mm	125 mm
Schleifscheibendicke	6 mm (1/4")	6 mm (1/4")
Spindelgewinde	M 14	M 14
Gewicht nach EPTA-Prozedur 01/2003	2,4 kg	2,4 kg
Geräusch/Vibrationsinformation Messwerte ermittelt entsprechend EN 60 745. Der A-bewertete Geräuschpegel des Gerätes beträgt typischerweise: Schalldruckpegel (K=3dB(A)) Schallleistungspegel (K=3dB(A)) Gehörschutz tragen!	89,0 dB(A) 100,0 dB(A)	89,0 dB(A) 100,0 dB(A)
Schwingungsgesamtwerte (Vektorsumme dreier Richtungen) ermittelt entsprechend EN 60745. Oberflächenschleifen: Schwingungsemissionswert a _h Unsicherheit K= Schleifen mit Schleifblatt: Schwingungsemissionswert a _h Unsicherheit K=	7,8 m/s ² 1,5 m/s ² 3,6 m/s ² 1,5 m/s ²	7,8 m/s ² 1,5 m/s ² 3,6 m/s ² 1,5 m/s ²

WARNUNG

Der in diesen Anweisungen angegebene Schwingungspegel ist entsprechend einem in EN 60745 genormten Messverfahren gemessen worden und kann für den Vergleich von Elektrowerkzeugen miteinander verwendet werden. Er eignet sich auch für eine vorläufige Einschätzung der Schwingungsbelastung.

Der angegebene Schwingungspegel repräsentiert die hauptsächlichen Anwendungen des Elektrowerkzeugs. Wenn allerdings das Elektrowerkzeug für andere Anwendungen, mit abweichenden Einsatzwerkzeugen oder ungenügender Wartung eingesetzt wird, kann der Schwingungspegel abweichen. Dies kann die Schwingungsbelastung über den gesamten Arbeitszeitraum deutlich erhöhen.

Für eine genaue Abschätzung der Schwingungsbelastung sollten auch die Zeiten berücksichtigt werden, in denen das Gerät abgeschaltet ist oder zwar läuft, aber nicht tatsächlich im Einsatz ist. Dies kann die Schwingungsbelastung über den gesamten Arbeitszeitraum deutlich reduzieren.

Legen Sie zusätzliche Sicherheitsmaßnahmen zum Schutz des Bedieners vor der Wirkung von Schwingungen fest wie zum Beispiel: Wartung von Elektrowerkzeug und Einsatzwerkzeugen, Warmhalten der Hände, Organisation der Arbeitsabläufe.

Deutsch



WARNUNG! Lesen Sie alle Sicherheitshinweise und Anweisungen, auch die in der beiliegenden Broschüre. Versäumnisse bei der Einhaltung der Sicherheitshinweise und Anweisungen können elektrischen Schlag, Brand und/oder schwere Verletzungen verursachen.
Bewahren Sie alle Sicherheitshinweise und Anweisungen für die Zukunft auf.

SPEZIELLE SICHERHEITSHINWEISE

Gemeinsame Sicherheitshinweise zum Schleifen, Sandpapierschleifen, Arbeiten mit Drahtbürsten und Trennschleifen

a) Dieses Elektrowerkzeug ist zu verwenden als Schleifer, Sandpapierschleifer, Drahtbürste und Trennschleifmaschine. Beachten Sie alle Sicherheitshinweise, Anweisungen, Darstellungen und Daten, die Sie mit dem Elektrowerkzeug erhalten. Wenn Sie die folgenden Anweisungen nicht beachten, kann es zu elektrischem Schlag, Feuer und/oder schweren Verletzungen kommen.

b) Dieses Elektrowerkzeug ist nicht geeignet zum Polieren. Verwendungen, für die das Elektrowerkzeug nicht vorgesehen ist, können Gefährdungen und Verletzungen verursachen.

c) Verwenden Sie kein Zubehör, das vom Hersteller nicht speziell für dieses Elektrowerkzeug vorgesehen und empfohlen wurde. Nur weil Sie das Zubehör an Ihrem Elektrowerkzeug befestigen können, garantiert das keine sichere Verwendung.

d) Die zulässige Drehzahl des Einsatzwerkzeugs muss mindestens so hoch sein wie die auf dem Elektrowerkzeug angegebene Höchstdrehzahl. Zubehör, das sich schneller als zulässig dreht, kann zerbrechen und umherfliegen.

e) Außendurchmesser und Dicke des Einsatzwerkzeugs müssen den Maßangaben Ihres Elektrowerkzeugs entsprechen. Falsch bemessene Einsatzwerkzeuge können nicht ausreichend abgeschirmt oder kontrolliert werden.

f) Schleifscheiben, Flansche, Schleifteller oder anderes Zubehör müssen genau auf die Schleifspindel Ihres Elektrowerkzeugs passen. Einsatzwerkzeuge, die nicht genau auf die Schleifspindel des Elektrowerkzeugs passen, drehen sich ungleichmäßig, vibrieren sehr stark und können zum Verlust der Kontrolle führen.

g) Verwenden Sie keine beschädigten Einsatzwerkzeuge. Kontrollieren Sie vor jeder Verwendung Einsatzwerkzeuge wie Schleifscheiben auf Absplittierungen und Risse, Schleifteller auf Risse, Verschleiß oder starke Abnutzung, Drahtbürsten auf lose oder gebrochene Drähte. Wenn das Elektrowerkzeug oder das Einsatzwerkzeug herunterfällt, überprüfen Sie, ob es beschädigt ist, oder verwenden Sie ein unbeschädigtes Einsatzwerkzeug. Wenn Sie das Einsatzwerkzeug kontrolliert und eingesetzt haben, halten Sie und in der Nähe befindliche Personen sich außerhalb der Ebene des rotierenden Einsatzwerkzeugs auf und lassen Sie das Elektrowerkzeug eine Minute lang mit Höchstdrehzahl laufen. Beschädigte Einsatzwerkzeuge brechen meist in dieser Testzeit.

h) Tragen Sie persönliche Schutzausrüstung. Verwenden Sie je nach Anwendung Vollgesichtsschutz, Augenschutz oder Schutzbrille. Soweit angemessen, tragen Sie Staubmaske, Gehörschutz, Schutzhandschuhe oder Spezialschürze, die kleine Schleif- und Materialpartikel von Ihnen fernhält. Die Augen sollen vor herumfliegenden Fremdkörpern geschützt werden, die bei verschiedenen Anwendungen entstehen. Staub oder Atemschutzmaske müssen den bei der Anwendung entstehenden

Staub filtern. Wenn Sie lange lauten Lärm ausgesetzt sind, können Sie einen Hörverlust erleiden.

i) Achten Sie bei anderen Personen auf sicheren Abstand zu Ihrem Arbeitsbereich. Jeder, der den Arbeitsbereich betritt, muss persönliche Schutzausrüstung tragen. Bruchstücke des Werkstücks oder gebrochener Einsatzwerkzeuge können wegfliegen und Verletzungen auch außerhalb des direkten Arbeitsbereichs verursachen.

j) Halten Sie das Elektrowerkzeug nur an den isolierten Griffflächen, wenn Sie Arbeiten ausführen, bei denen das Einsatzwerkzeug verborgene Stromleitungen oder das eigene Netzkabel treffen kann. Der Kontakt des Schneidwerkzeugs mit einer spannungsführenden Leitung kann metallene Geräteteile unter Spannung setzen und zu einem elektrischen Schlag führen.

k) Halten Sie das Netzkabel von sich drehenden Einsatzwerkzeugen fern. Wenn Sie die Kontrolle über das Elektrowerkzeug verlieren, kann das Netzkabel durchtrennt oder erfasst werden und Ihre Hand oder Ihr Arm in das sich drehende Einsatzwerkzeug geraten.

l) Legen Sie das Elektrowerkzeug niemals ab, bevor das Einsatzwerkzeug völlig zum Stillstand gekommen ist. Das sich drehende Einsatzwerkzeug kann in Kontakt mit der Ablagefläche geraten, wodurch Sie die Kontrolle über das Elektrowerkzeug verlieren können.

m) Lassen Sie das Elektrowerkzeug nicht laufen, während Sie es tragen. Ihre Kleidung kann durch zufälligen Kontakt mit dem sich drehenden Einsatzwerkzeug erfasst werden, und das Einsatzwerkzeug sich in Ihren Körper bohren.

n) Reinigen Sie regelmäßig die Lüftungsschlitze Ihres Einsatzwerkzeugs. Das Motorgebläse zieht Staub in das Gehäuse, und eine starke Ansammlung von Metallstaub kann elektrische Gefahren verursachen.

o) Verwenden Sie das Elektrowerkzeug nicht in der Nähe brennbarer Materialien. Funken können diese Materialien entzünden.

p) Verwenden Sie keine Einsatzwerkzeuge, die flüssige Kühlmittel erfordern. Die Verwendung von Wasser oder anderen flüssigen Kühlmitteln kann zu einem elektrischen Schlag führen.

Rückschlag und entsprechende Sicherheitshinweise

Rückschlag ist die plötzliche Reaktion infolge eines hakenden oder blockierten drehenden Einsatzwerkzeugs, wie Schleifscheibe, Schleifteller, Drahtbürste usw. Verhaken oder Blockieren führt zu einem abrupten Stopp des rotierenden Einsatzwerkzeugs. Dadurch wird ein unkontrolliertes Elektrowerkzeug gegen die Drehrichtung des Einsatzwerkzeugs an der Blockierstelle beschleunigt.

Wenn z. B. eine Schleifscheibe im Werkstück haket oder blockiert, kann sich die Kante der Schleifscheibe, die in das Werkstück eintaucht, verfangen und dadurch die Schleifscheibe ausbrechen oder einen Rückschlag verursachen. Die Schleifscheibe bewegt sich dann auf die Bedienperson zu oder von ihr weg, je nach Drehrichtung der Scheibe an der Blockierstelle. Hierbei können Schleifscheiben auch brechen.

Ein Rückschlag ist die Folge eines falschen oder fehlerhaften Gebrauchs des Elektrowerkzeugs. Er kann durch geeignete Vorsichtsmaßnahmen, wie nachfolgend beschrieben, verhindert werden.

a) Halten Sie das Elektrowerkzeug gut fest und bringen Sie Ihren Körper und Ihre Arme in eine Position, in der Sie die Rückschlagkräfte abfangen können. Verwenden Sie immer den Zusatzgriff, falls vorhanden, um die größtmögliche Kontrolle über Rückschlagkräfte oder Reaktionsmomente beim Hochlauf zu haben. Die Bedienperson kann durch geeignete Vorsichtsmaßnahmen die Rückschlag und Reaktionskräfte beherrschen.



b) Bringen Sie Ihre Hand nie in die Nähe sich drehender Einsatzwerkzeuge. Das Einsatzwerkzeug kann sich beim Rückschlag über Ihre Hand bewegen.

c) Meiden Sie mit Ihrem Körper den Bereich, in den das Elektrowerkzeug bei einem Rückschlag bewegt wird. Der Rückschlag treibt das Elektrowerkzeug in die Richtung entgegengesetzt zur Bewegung der Schleifscheibe an der Blockierstelle.

d) Arbeiten Sie besonders vorsichtig im Bereich von Ecken, scharfen Kanten usw. Verhindern Sie, dass Einsatzwerkzeuge vom Werkstück zurückprallen und verklemmen. Das rotierende Einsatzwerkzeug neigt bei Ecken, scharfen Kanten oder wenn es abprallt, dazu, sich zu verklemmen. Dies verursacht einen Kontrollverlust oder Rückschlag.

e) Verwenden Sie kein Ketten- oder gezähntes Sägeblatt. Solche Einsatzwerkzeuge verursachen häufig einen Rückschlag oder den Verlust der Kontrolle über das Elektrowerkzeug.

Besondere Sicherheitshinweise zum Schleifen und Trennschleifen

a) Verwenden Sie ausschließlich die für Ihr Elektrowerkzeug zugelassenen Schleifkörper und die für diese Schleifkörper vorgesehene Schutzhaube. Schleifkörper, die nicht für das Elektrowerkzeug vorgesehen sind, können nicht ausreichend abgeschirmt werden und sind unsicher.

b) Gekrüpfte Schleifscheiben müssen so montiert werden, dass ihre Schleiffläche nicht über der Ebene des Schutzhaubenrandes hervorsteht. Eine unsachgemäß montierte Schleifscheibe, die über die Ebene des Schutzhaubenrandes hinausragt, kann nicht ausreichend abgeschirmt werden.

c) Die Schutzhaube muss sicher am Elektrowerkzeug angebracht und für ein Höchstmaß an Sicherheit so eingestellt sein, dass der kleinstmögliche Teil des Schleifkörpers offen zum Bediener zeigt. Die Schutzhaube hilft, die Bedienperson vor Bruchstücken, zufälligem Kontakt mit dem Schleifkörper sowie Funken, die Kleidung entzünden könnten, zu schützen.

d) Schleifkörper dürfen nur für die empfohlenen Einsatzmöglichkeiten verwendet werden. Z.B.: Schleifen Sie nie mit der Seitenfläche einer Trennscheibe. Trennscheiben sind zum Materialabtrag mit der Kante der Scheibe bestimmt. Seitliche Kräfteinwirkung auf diese Schleifkörper kann sie zerbrechen.

e) Verwenden Sie immer unbeschädigte Spannflansche in der richtigen Größe und Form für die von Ihnen gewählte Schleifscheibe. Geeignete Flansche stützen die Schleifscheibe und verringern so die Gefahr eines Schleifscheibenbruchs. Flansche für Trennscheiben können sich von den Flanschen für andere Schleifscheiben unterscheiden.

f) Verwenden Sie keine abgenutzten Schleifscheiben von größeren Elektrowerkzeugen. Schleifscheiben für größere Elektrowerkzeuge sind nicht für die höheren Drehzahlen von kleineren Elektrowerkzeugen ausgelegt und können brechen.

Weitere besondere Sicherheitshinweise zum Trennschleifen

a) Vermeiden Sie ein Blockieren der Trennscheibe oder zu hohen Anpressdruck. Führen Sie keine übermäßig tiefen Schnitte aus. Eine Überlastung der Trennscheibe erhöht deren Beanspruchung und die Anfälligkeit zum Verkanten oder Blockieren und damit die Möglichkeit eines Rückschlags oder Schleifkörperbruchs.

b) Meiden Sie den Bereich vor und hinter der rotierenden Trennscheibe. Wenn Sie die Trennscheibe im Werkstück von sich wegbewegen, kann im Falle eines Rückschlags das Elektrowerkzeug mit der sich drehenden Scheibe direkt auf Sie zugeschleudert werden.

c) Falls die Trennscheibe verklemmt oder Sie die Arbeit unterbrechen, schalten Sie das Elektrowerkzeug aus und halten Sie es ruhig, bis die Scheibe zum Stillstand gekommen ist. Versuchen Sie nie, die noch laufende Trennscheibe aus dem Schnitt zu ziehen, sonst kann ein Rückschlag erfolgen. Ermitteln und beheben Sie die Ursache für das Verklemmen.

d) Schalten Sie das Elektrowerkzeug nicht wieder ein, solange es sich im Werkstück befindet. Lassen Sie die Trennscheibe erst ihre volle Drehzahl erreichen, bevor Sie den Schnitt vorsichtig fortsetzen. Anderenfalls kann die Scheibe verhaken, aus dem Werkstück springen oder einen Rückschlag verursachen.

e) Stützen Sie Platten oder große Werkstücke ab, um das Risiko eines Rückschlags durch eine eingeklemmte Trennscheibe zu vermindern. Große Werkstücke können sich unter ihrem eigenen Gewicht durchbiegen. Das Werkstück muss auf beiden Seiten abgestützt werden, und zwar sowohl in der Nähe des Trennschnitts als auch an der Kante.

f) Seien Sie besonders vorsichtig bei „Taschenschnitten“ in bestehende Wände oder andere nicht einsehbare Bereiche. Die eintauchende Trennscheibe kann beim Schneiden in Gas oder Wasserleitungen, elektrische Leitungen oder andere Objekte einen Rückschlag verursachen.

Besondere Sicherheitshinweise zum Sandpapierschleifen

a) Benutzen Sie keine überdimensionierten Schleifblätter, sondern befolgen Sie die Herstellerangaben zur Schleifblattgröße. Schleifblätter, die über den Schleifteller hinausragen, können Verletzungen verursachen sowie zum Blockieren, Zerreißen der Schleifblätter oder zum Rückschlag führen.

Besondere Sicherheitshinweise zum Arbeiten mit Drahtbürsten

a) Beachten Sie, dass die Drahtbürste auch während des üblichen Gebrauchs Drahtstücke verliert. Überlasten Sie die Drähte nicht durch zu hohen Anpressdruck. Wegfliegende Drahtstücke können sehr leicht durch dünne Kleidung und/oder die Haut dringen.

b) Wird eine Schutzhaube empfohlen, verhindern Sie, dass sich Schutzhaube und Drahtbürste berühren können. Teller und Topfbürsten können durch Anpressdruck und Zentrifugalkräfte ihren Durchmesser vergrößern.

Steckdosen in Außenbereichen müssen mit Fehlerstrom-Schutzschaltern (FI, RCD, PRCD) ausgerüstet sein. Das verlangt die Installationsvorschrift für Ihre Elektroanlage. Bitte beachten Sie das bei der Verwendung unseres Gerätes.

Späne oder Splitter dürfen bei laufender Maschine nicht entfernt werden.

Maschine nur ausgeschaltet an die Steckdose anschließen.

Nicht in den Gefahrenbereich der laufenden Maschine greifen.

Stets den Zusatzhandgriff verwenden.

Beim Schruppen und Trennen immer mit Schutzhaube arbeiten.

Gerät sofort ausschalten, wenn beträchtliche Schwingungen auftreten oder andere Mängel festgestellt werden. Überprüfen Sie die Maschine, um die Ursache festzustellen.

Schleifscheiben stets gemäß den Angaben des Herstellers verwenden und aufbewahren.

Beim Schleifen von Metallen entsteht Funkenflug. Darauf achten, dass keine Personen gefährdet werden. Wegen der Brandgefahr dürfen sich keine brennbaren Materialien in der Nähe (Funkenflugbereich) befinden. Keine Staubabsaugung verwenden.

Gerät immer so halten, dass Funken oder Schleifstaub vom Körper wegfiegen.

Zum Trennen von Stein ist der Führungsschlitten Vorschrift.

Die Flanschmutter muss vor Inbetriebnahme der Maschine angezogen sein.

Das zu bearbeitende Werkstück muss festgespannt werden, sofern es nicht durch sein Eigengewicht hält. Niemals Werkstück mit der Hand gegen die Scheibe führen.

Bei extremen Einsatzbedingungen (z. B. beim Glattschleifen von Metallen mit dem Stützsteller und Vulkanfeiber-Schleifscheibekann sich eine starke Verschmutzung im Inneren des Winkelschleifers aufbauen. Bei solchen Einsatzbedingungen ist aus Sicherheitsgründen eine gründliche Reinigung im Inneren von Metallablagerungen und zwingend das Vorschalten eines Fehlerstrom- (FS) Schutzschalters erforderlich. Nach Ansprechen des FI-Schutzschalters muss die Maschine zur Reparatur eingesandt werden.

Vergewissern Sie sich bei Schleifwerkzeugen mit Gewindeeinsetz, dass das Gewinde lang genug ist, um die Spindellänge aufzunehmen.


Für Trennarbeiten geschlossene Schutzhaube aus dem Zubehörprogramm verwenden.

BESTIMMUNGSGEMÄSSE VERWENDUNG

Der Winkelschleifer ist einsetzbar zum Schleifen, Trennschleifen, Sandpapierschleifen und Drahtbürsten von vielen Materialien, wie z. B. Metall oder Stein. Beachten Sie im Zweifelsfall die Hinweise der Zubehöhersteller.

Dieses Gerät darf nur wie angegeben bestimmungsgemäß verwendet werden.

NETZANSCHLUSS

 Nur an Einphasen-Wechselstrom und nur an die auf dem Leistungsschild angegebene Netzspannung anschließen. Anschluss ist auch an Steckdosen ohne Schutzkontakt möglich, da ein Aufbau der Schutzklasse II vorliegt.

CE-KONFORMITÄTSERKLÄRUNG

Wir erklären in alleiniger Verantwortung, dass das unter „Technische Daten“ beschriebene Produkt mit alle relevanten Vorschriften der Richtlinie 2011/65/EU (RoHS), 2004/108/EG, 2006/42/EG und den folgenden harmonisierten normativen Dokumenten übereinstimmt:

EN 60745-1:2009

EN 60745-2-3:2011

EN 55014-1:2006 + A1:2009 + A2:2011

EN 55014-2:1997 + A1:2001 + A2:2008

EN 61000-3-2:2006 + A1:2009 + A2:2009

EN 61000-3-3:2008



Winnenden, 2013-05-07

Alexander Krug / Managing Director
Bevollmächtigt die technischen Unterlagen zusammenzustellen.

Teichronic Industries GmbH
Max-Eyth-Straße 10, 71364 Winnenden, Germany

WARTUNG

Stets die Lüftungsschlitze der Maschine sauber halten.

Wegen Kurzschlussgefahr dürfen Metallteile nicht in die Lüftungsschlitze gelangen.

Nur Milwaukee Zubehör und Milwaukee Ersatzteile verwenden. Bauteile, deren Austausch nicht beschrieben wurde, bei einer Milwaukee Kundendienststelle auswechseln lassen (Broschüre Garantie/Kundendienstadressen beachten).

Bei Bedarf kann eine Explosionszeichnung des Gerätes unter Angabe der Maschinen Typ und der sechsstelligen Nummer auf dem Leistungsschild bei Ihrer Kundendienststelle oder direkt bei Teichronic Industries GmbH, Max-Eyth-Straße 10, 71364 Winnenden, Germany angefordert werden.

ELEKTRONIK

AGV 12-125 X, AGV 12-125 XPD

Elektronischer Sanftanlauf für sichere Handhabung verhindert beim Einschalten ein ruckartiges Anlaufen der Maschine.

Nullspannungsschalter verhindert ein Wiederanlaufen der Maschine nach einem Stromausfall. Bei erneuter Arbeitsaufnahme Maschine ausschalten und wieder einschalten.

Das Gerät verfügt über eine Overload - und Anti Kickback Schutzfunktion und stoppt bei entsprechender Überlast. Bitte beachten sie, dass die Maschine bei Wegfall der Belastung wieder selbstständig auf die ursprüngliche Arbeitsdrehzahl hochfährt. Nach Erreichen der Arbeitsdrehzahl ist das Gerät wieder einsatzbereit.

SYMBOLE



Bitte lesen Sie die Gebrauchsanweisung vor Inbetriebnahme sorgfältig durch.



ACHTUNG! WARNUNG! GEFAHR!



Beim Arbeiten mit der Maschine stets Schutzbrille tragen.



Vor allen Arbeiten an der Maschine Stecker aus der Steckdose ziehen.



Zubehör - Im Lieferumfang nicht enthalten, empfohlene Ergänzung aus dem Zubehörprogramm.



Werfen Sie Elektrowerkzeuge nicht in den Hausmüll! Gemäß Europäischer Richtlinie 2002/96/EG über Elektro- und Elektronik- Altgeräte und Umsetzung in nationales Recht müssen verbrauchte Elektrowerkzeuge getrennt gesammelt und einer umweltgerechten Wiederverwertung zugeführt werden.



Schutzklasse II, Elektrowerkzeug, bei dem der Schutz gegen elektrischen Schlag nicht nur von der Basisisolierung abhängt, sondern in dem zusätzliche Schutzmaßnahmen, wie doppelte Isolierung oder verstärkte Isolierung, angewendet werden.



CARACTÉRISTIQUES TECHNIQUES Meuleuse d'Angle	AG 12-115 X (220-240 V)	AG 12-115 X (110-120 V)	AG 12-125 X (220-240 V)
Numéro de série	4281 36 01... 4280 51 01... 4280 61 01... ... 000001-999999	4281 41 01... 4280 66 01... ... 000001-999999	4280 78 01... ... 000001-999999
Puissance nominale de réception	1200 W	1200 W	1200 W
Vitesse de rotation nominale	11000 min ⁻¹	11000 min ⁻¹	11000 min ⁻¹
Diamètre de meule	115 mm	115 mm	125 mm
Épaisseur disque polisseur	6 mm (1/4")	6 mm (1/4")	6 mm (1/4")
Filetage de l'arbre	M 14	M 14	M 14
Poids suivant EPTA-Procédure 01/2003	2,3 kg	2,3 kg	2,3 kg
Informations sur le bruit et les vibrations Valeurs de mesure obtenues conformément à la EN 60 745. Les mesures réelles (des niveaux acoustiques de l'appareil sont : Niveau de pression acoustique (K=3dB(A)) Niveau d'intensité acoustique (K=3dB(A)) Toujours porter une protection acoustique!	89,0 dB(A) 100,0 dB(A)	89,5 dB(A) 100,5 dB(A)	89,0 dB(A) 100,0 dB(A)
Valeurs totales des vibrations (somme vectorielle de trois sens) établies conformément à EN 60745. Polissage de surface: Valeur d'émission vibratoire a _h Incertitude K= Polissage avec feuille abrasive: Valeur d'émission vibratoire a _h Incertitude K=	7,8 m/s ² 1,5 m/s ² 3,6 m/s ² 1,5 m/s ²	6,8 m/s ² 1,5 m/s ² 4,5 m/s ² 1,5 m/s ²	7,8 m/s ² 1,5 m/s ² 3,6 m/s ² 1,5 m/s ²



CARACTÉRISTIQUES TECHNIQUES Meuleuse d'Angle	AGV 12-125 X (220-240 V)	AGV 12-125 X PD (220-240 V)
Numéro de série	4280 86 01... ... 000001-999999	4332 41 01... ... 000001-999999
Puissance nominale de réception	1200 W	1200 W
Vitesse de rotation nominale	11000 min ⁻¹	11000 min ⁻¹
Diamètre de meule	125 mm	125 mm
Épaisseur disque polisseur	6 mm (1/4")	6 mm (1/4")
Filetage de l'arbre	M 14	M 14
Poids suivant EPTA-Procédure 01/2003	2,4 kg	2,4 kg
Informations sur le bruit et les vibrations Valeurs de mesure obtenues conformément à la EN 60 745. Les mesures réelles (des niveaux acoustiques de l'appareil sont : Niveau de pression acoustique (K=3dB(A)) Niveau d'intensité acoustique (K=3dB(A)) Toujours porter une protection acoustique!	89,0 dB(A) 100,0 dB(A)	89,0 dB(A) 100,0 dB(A)
Valeurs totales des vibrations (somme vectorielle de trois sens) établies conformément à EN 60745. Polissage de surface: Valeur d'émission vibratoire a _h Incertitude K= Polissage avec feuille abrasive: Valeur d'émission vibratoire a _h Incertitude K=	7,8 m/s ² 1,5 m/s ² 3,6 m/s ² 1,5 m/s ²	7,8 m/s ² 1,5 m/s ² 3,6 m/s ² 1,5 m/s ²

AVERTISSEMENT

Le niveau vibratoire indiqué dans ces instructions a été mesuré selon un procédé de mesure normalisé dans la norme EN 60745 et peut être utilisé pour comparer des outils électriques entre eux. Il convient aussi à une estimation provisoire de la sollicitation par les vibrations. Le niveau vibratoire indiqué représente les applications principales de l'outil électrique. Toutefois, si l'outil électrique est utilisé pour d'autres applications, avec des outils rapportés qui diffèrent ou une maintenance insuffisante, il se peut que le niveau vibratoire diverge. Cela peut augmenter nettement la sollicitation par les vibrations sur tout l'intervalle de temps du travail. Pour une estimation précise de la sollicitation par les vibrations, on devrait également tenir compte des temps pendant lesquels l'appareil n'est pas en marche ou tourne sans être réellement en service. Cela peut réduire nettement la sollicitation par les vibrations sur tout l'intervalle de temps du travail.

Définissez des mesures de sécurité supplémentaires pour protéger l'utilisateur contre l'influence des vibrations, comme par exemple : la maintenance de l'outil électrique et des outils rapportés, le maintien au chaud des mains, l'organisation des déroulements de travail.

⚠ AVERTISSEMENT! Lisez toutes les consignes de sécurité et les instructions, même celles qui se trouvent dans la brochure ci-jointe. Le non-respect des avertissements et instructions indiqués ci après peut entraîner un choc électrique, un incendie et/ou de graves blessures sur les personnes.
Bien garder tous les avertissements et instructions.

INSTRUCTIONS DE SÉCURITÉ PARTICULIÈRES

Avertissements communs pour le meulage, le ponçage au papier de verre, les travaux avec brosses métalliques le tronçonnage :

a) Cet outil électrique est destiné à fonctionner comme meuleuse, ponceuse, brosse métallique, lustreuse ou outil à tronçonner. Lire toutes les mises en garde de sécurité, les instructions, les illustrations et les spécifications fournies avec cet outil électrique. Le fait de ne pas suivre toutes les instructions données cidessous peut provoquer un choc électrique, un incendie et/ou une blessure grave.

b) Cet outil électrique ne convient pas au meulage à la polissage. Les cas d'utilisation pour lesquels l'outil électrique n'est pas prévu peuvent présenter des mises en danger et être à l'origine de blessures.

c) Ne pas utiliser d'accessoires non conçus spécifiquement et recommandés par le fabricant d'outils. Le simple fait que l'accessoire puisse être fixé à votre outil électrique ne garantit pas un fonctionnement en toute sécurité.

d) La vitesse assignée de l'accessoire doit être au moins égale à la vitesse maximale indiquée sur l'outil électrique. Les accessoires fonctionnant plus vite que leur vitesse assignée peuvent se rompre et voler en éclat.

e) Le diamètre extérieur et l'épaisseur de votre accessoire doivent se situer dans le cadre des caractéristiques de capacité de votre outil électrique. Les accessoires dimensionnés de façon incorrecte ne peuvent pas être protégés ou commandés de manière appropriée.

f) La taille de mandrin des meules, flasques, patins d'appui ou tout autre accessoire doit s'adapter correctement à l'arbre de l'outil électrique. Les accessoires avec alésages centraux ne correspondant pas aux éléments de montage de l'outil électrique seront en déséquilibre, vibreront excessivement, et pourront provoquer une perte de contrôle.

g) Ne pas utiliser d'accessoire endommagé. Avant chaque utilisation examiner les accessoires comme les meules abrasives pour détecter la présence éventuelle de copeaux et fissures, les patins d'appui pour détecter des traces éventuelles de fissures, de déchirure ou d'usure excessive, ainsi que les brosses métalliques pour détecter des fils desserrés ou fissurés. Si l'outil électrique ou l'accessoire a subi une chute, examiner les dommages éventuels ou installer un accessoire non endommagé. Après examen et installation d'un accessoire, placez-vous ainsi que les personnes présentes à distance du plan de l'accessoire rotatif et faire marcher l'outil électrique à vitesse maximale à vide pendant 1 min. Les accessoires endommagés seront normalement détruits pendant cette période d'essai.

h) Porter un équipement de protection individuelle. En fonction de l'application, utiliser un écran facial, des lunettes de sécurité ou des verres de sécurité. Le cas échéant, utiliser un masque antipoussières, des protections auditives, des gants et un tablier capables d'arrêter les petits fragments abrasifs ou des pièces à usiner. La protection oculaire doit être capable d'arrêter

les débris volants produits par les diverses opérations. Le masque antipoussières ou le respirateur doit être capable de filtrer les particules produites par vos travaux. L'exposition prolongée aux bruits de forte intensité peut provoquer une perte de l'audition.

i) Maintenir les personnes présentes à une distance de sécurité par rapport à la zone de travail. Toute personne entrant dans la zone de travail doit porter un équipement de protection individuelle. Des fragments de pièce à usiner ou d'un accessoire cassé peuvent être projetés et provoquer des blessures en dehors de la zone immédiate d'opération.

j) Tenir l'outil uniquement par les surfaces de préhension isolantes, pendant les opérations au cours desquelles l'accessoire coupant peut être en contact avec des conducteurs cachés ou avec son propre câble. Le contact de l'outil de coupe avec un câble qui conduit la tension peut mettre les pièces métalliques de l'appareil sous tension et mener à une décharge électrique.

k) Placer le câble éloigné de l'accessoire de rotation. Si vous perdez le contrôle, le câble peut être coupé ou subir un accroç et votre main ou votre bras peut être tiré dans l'accessoire de rotation.

l) Ne jamais reposer l'outil électrique avant que l'accessoire n'ait atteint un arrêt complet. L'accessoire de rotation peut agripper la surface et arracher l'outil électrique hors de votre contrôle.

m) Ne pas faire fonctionner l'outil électrique en le portant sur le côté. Un contact accidentel avec l'accessoire de rotation pourrait accrocher vos vêtements et attirer l'accessoire sur vous.

n) Nettoyer régulièrement les orifices d'aération de l'outil électrique. Le ventilateur du moteur attirera la poussière à l'intérieur du boîtier et une accumulation excessive de poudre de métal peut provoquer des dangers électriques.

o) Ne pas faire fonctionner l'outil électrique à proximité de matériaux inflammables. Des étincelles pourraient enflammer ces matériaux.

p) Ne pas utiliser d'accessoires qui nécessitent des réfrigérants fluides. L'utilisation d'eau ou d'autres réfrigérants fluides peut aboutir à une électrocution ou un choc électrique.

Rebonds et mises en garde correspondantes

Le rebond est une réaction soudaine au pincement ou à l'accrochage d'une meule rotative, d'un patin d'appui, d'une brosse ou de tout autre accessoire. Le pincement ou l'accrochage provoque un blocage rapide de l'accessoire en rotation qui, à son tour, contraint l'outil électrique hors de contrôle dans le sens opposé de rotation de l'accessoire au point du grippage.

Par exemple, si une meule abrasive est accrochée ou pincée par la pièce à usiner, le bord de la meule qui entre dans le point de pincement peut creuser la surface du matériau, provoquant des sauts ou l'expulsion de la meule. La meule peut sauter en direction de l'opérateur ou encore en s'en éloignant, selon le sens du mouvement de la meule au point de pincement. Les meules abrasives peuvent également se rompre dans ces conditions.

Le rebond résulte d'un mauvais usage de l'outil et/ou de procédures ou de conditions de fonctionnement incorrectes et peut être évité en prenant les précautions appropriées spécifiées cidessous.

a) Maintenir fermement l'outil électrique et placer votre corps et vos bras pour vous permettre de résister aux forces de rebond. Toujours utiliser une poignée auxiliaire, le cas échéant, pour une maîtrise maximale du rebond ou de la réaction de couple au cours du démarrage. L'opérateur peut maîtriser les couples de réaction ou les forces de rebond, si les précautions qui s'imposent sont prises.



Fr

b) Ne jamais placer votre main à proximité de l'accessoire en rotation. L'accessoire peut effectuer un rebond sur votre main.

c) Ne pas vous placer dans la zone où l'outil électrique se déplacera en cas de rebond. Le rebond pousse l'outil dans le sens opposé au mouvement de la meule au point d'accrochage.

d) Apporter un soin particulier lors de travaux dans les coins, les arêtes vives etc. Éviter les rebondissements et les accrochages de l'accessoire. Les coins, les arêtes vives ou les rebondissements ont tendance à accrocher l'accessoire en rotation et à provoquer une perte de contrôle ou un rebond.

e) N'utilisez pas de lames de scie à chaîne ou dentées. Ce type d'outil rapporté provoque fréquemment des contrecoups et une perte de contrôle de l'outil électrique.

Mises en garde de sécurité spécifiques aux opérations de meulage et de tronçonnage abrasif :

a) Le protecteur doit être solidement fixé à l'outil électrique et placé en vue d'une sécurité maximale, de sorte que l'opérateur soit exposé le moins possible à la meule. Le protecteur permet de protéger l'opérateur des fragments de meule cassée et d'un contact accidentel avec la meule.

b) Les disques polisseurs à moyeu déporté devront être montés d'une façon telle que la surface de polissage ne dépasse pas le niveau du bord du protecteur. Un disque polisseur non correctement monté dépassant le niveau du bord du protecteur ne pourra pas être protégé suffisamment.

c) Utiliser uniquement des types de meules recommandés pour votre outil électrique et le protecteur spécifique conçu pour la meule choisie. Les meules pour lesquelles l'outil électrique n'a pas été conçu ne peuvent pas être protégées de façon satisfaisante et sont dangereuses.

d) Les meules doivent être utilisées uniquement pour les applications recommandées. Par exemple : ne pas meuler avec le côté de la meule à tronçonner. Les meules à tronçonner abrasives sont destinées au meulage périphérique, l'application de forces latérales à ces meules peut les briser en éclats.

e) Toujours utiliser des flasques de meule non endommagés qui sont de taille et de forme correctes pour la meule que vous avez choisie. Des flasques de meule appropriés supportent la meule réduisant ainsi la possibilité de rupture de la meule. Les flasques pour les meules à tronçonner peuvent être différents des autres flasques de meule.

f) Ne pas utiliser de meules usées d'outils électriques plus grands. La meule destinée à un outil électrique plus grand n'est pas appropriée pour la vitesse plus élevée d'un outil plus petit et elle peut éclater.

Mises en garde de sécurité additionnelles spécifiques aux opérations de tronçonnage abrasif

a) Ne pas « coincer » la meule à tronçonner ou ne pas appliquer une pression excessive. Ne pas tenter d'exécuter une profondeur de coupe excessive. Une contrainte excessive de la meule augmente la charge et la probabilité de torsion ou de blocage de la meule dans la coupe et la possibilité de rebond ou de rupture de la meule.

b) Ne pas vous placer dans l'alignement de la meule en rotation ni derrière celle-ci. Lorsque la meule, au point de fonctionnement, s'éloigne de votre corps, le rebond éventuel peut propulser la meule en rotation et l'outil électrique directement sur vous.

c) Lorsque la meule se bloque ou lorsque la coupe est interrompue pour une raison quelconque, mettre l'outil électrique hors tension et tenir l'outil électrique immobile

jusqu'à ce que la meule soit à l'arrêt complet. Ne jamais tenter d'enlever la meule à tronçonner de la coupe tandis que la meule est en mouvement sinon le rebond peut se produire.

Rechercher et prendre des mesures correctives afin d'empêcher que la meule ne se grippe.

d) Ne pas reprendre l'opération de coupe dans la pièce à usiner. Laisser la meule atteindre sa pleine vitesse et rentrer avec précaution dans le tronçon. La meule peut se coincer, venir chevaucher la pièce à usiner ou effectuer un rebond si l'on fait redémarrer l'outil électrique dans la pièce à usiner.

e) Prévoir un support de panneaux ou de toute pièce à usiner surdimensionnée pour réduire le risque de pincement et de rebond de la meule. Les grandes pièces à usiner ont tendance à fléchir sous leur propre poids. Les supports doivent être placés sous la pièce à usiner près de la ligne de coupe et près du bord de la pièce des deux côtés de la meule.

f) Soyez particulièrement prudent lorsque vous faites une « coupe en retrait » dans des parois existantes ou dans d'autres zones sans visibilité. La meule saillante peut couper des tuyaux de gaz ou d'eau, des câblages électriques ou des objets, ce qui peut entraîner des rebonds.

Mises en garde de sécurité spécifiques aux opérations de ponçage

a) Ne pas utiliser de papier abrasif trop surdimensionné pour les disques de ponçage. Suivre les recommandations des fabricants, lors du choix du papier abrasif. Un papier abrasif plus grand s'étendant au-delà du patin de ponçage présente un danger de lacération et peut provoquer un accrochage, une déchirure du disque ou un rebond.

Mises en garde de sécurité spécifiques aux opérations de brossage métallique

a) Il convient d'être conscient du fait que les crins de brosseerie sont maintenus par la brosse même pendant une opération ordinaire. Ne pas surcharger les câbles par l'application d'une charge excessive sur la brosse. Les crins de brosseerie peuvent pénétrer aisément dans les vêtements légers et/ ou dans la peau.

b) Si l'utilisation d'un protecteur est recommandée pour le brossage métallique, ne permettre aucune gêne du touret ou de la brosse métallique au protecteur. Le touret ou la brosse métallique peut se dilater en diamètre en raison de la charge de travail et des forces centrifuges.

Les prises de courant se trouvant à l'extérieur doivent être équipées de disjoncteurs différentiel (FI, RCD, PRCD) conformément aux prescriptions de mise en place de votre installation électrique. Veuillez en tenir compte lors de l'utilisation de notre appareil.

Ne jamais enlever les copeaux ni les éclats lorsque la machine est en marche.

Ne raccorder la machine au réseau que si l'interrupteur est en position arrêt.

Ne jamais intervenir dans la zone dangereuse lorsque la machine est en marche.

Utiliser toujours la poignée supplémentaire.

Ne jamais travailler sans capot protecteur pour des travaux de tronçonnage et de dégrossissage.

Arrêter la machine tout de suite lorsqu'il y a des vibrations importantes ou que d'autres défauts surgissent. Contrôler la machine afin d'en trouver les causes.

Toujours utiliser et conserver les meules conformément aux indications du fabricant.

L'usinage des métaux génère des étincelles. Veiller à ce que personne ne soit exposé à un danger. En raison du risque d'incendie, aucune



matière inflammable ou combustible ne doit se trouver dans la zone de projection des étincelles. Ne pas utiliser d'aspirateur de poussières. Toujours maintenir la machine de façon à ce que étincelles et poussières soient projetées dans la direction opposée au corps. Le chariot de guidage est obligatoire pour des travaux de tronçonnage de la pierre.

L'écrou du flasque doit être serré avant de mettre en marche la machine.

La pièce à travailler doit être fortement serrée lorsque son propre poids ne suffit pas à la maintenir. Ne jamais guider la pièce à travailler à la main vers la meule.

Dans le cas de conditions d'utilisation extrêmes (par exemple, pendant le polissage à la meule des métaux avec le plateau d'appui et les disques de rectification aux fibres vulcanisées), un encrassement important peut se former à l'intérieur de la meuleuse d'angle. Dans de telles conditions d'utilisation, il est nécessaire pour des raisons de sécurité de procéder à un nettoyage minutieux à l'intérieur pour éliminer les dépôts métalliques et de monter absolument un interrupteur de protection contre les courants de court-circuit en amont. La machine doit nous être expédiée pour une réparation si cet interrupteur de protection se déclenche.

Sur les machines prévues pour les outils abrasifs à orifice fileté, vérifiez que la profondeur du filetage est suffisante pour la longueur de la broche.

Utiliser un capot de protection fermé contenu dans le programme d'accessoires pour les travaux de tronçonnage.

UTILISATION CONFORME AUX PRESCRIPTIONS

La meuleuse d'angle peut être utilisée pour meuler, tronçonner, meuler à la toile émeri et pour le brossage métallique de nombreux matériaux, tels que par exemple le métal et la pierre. En cas de doute, il convient d'observer les remarques du fabricant.

Comme déjà indiqué, cette machine n'est conçue que pour être utilisée conformément aux prescriptions.

BRANCHEMENT SECTEUR

Raccorder uniquement à un courant électrique monophasé et uniquement à la tension secteur indiquée sur la plaque signalétique. Le raccordement à des prises de courant sans contact de protection est également possible car la classe de protection II est donnée.

DECLARATION CE DE CONFORMITÉ

Nous déclarons sous notre seule responsabilité que le produit décrit sous « Caractéristiques techniques » concorde avec toutes les consignes pertinentes de la directive 2011/65 EU (RoHS), 2004/108/EC, 2006/42/EC et les documents normatifs harmonisés suivants:

EN 60745-1:2009

EN 60745-2-3:2011

EN 55014-1:2006 + A1:2009 + A2:2011

EN 55014-2:1997 + A1:2001 + A2:2008

EN 61000-3-2:2006 + A1:2009 + A2:2009

EN 61000-3-3:2008



Winnenden, 2013-05-07

Alexander Krug / Managing Director
Autorisé à compiler la documentation technique.
Techtronic Industries GmbH
Max-Eyth-Straße 10, 71364 Winnenden, Germany

ENTRETIEN

Tenir toujours propres les orifices de ventilation de la machine.

En raison de risques de court-circuit, veiller à ce qu'aucune pièce métallique ne pénètre dans les ouïes de ventilation.

Utiliser uniquement les accessoires Milwaukee et les pièces détachées Milwaukee. Faire remplacer les composants dont le remplacement n'a pas été décrit, par un des centres de service après-vente Milwaukee (observer la brochure avec les adresses de garantie et de service après-vente).

En cas de besoin il est possible de demander un dessin éclaté du dispositif en indiquant le modèle de la machine et le numéro de six chiffres imprimé sur la plaquette de puissance et en s'adressant au centre d'assistance technique ou directement à Techtronic Industries GmbH, Max-Eyth-Straße 10, 71364 Winnenden, Germany.

ELECTRONIQUE

AGV 12-125 X, AGV 12-125 XPD

Démarrage électronique en douceur garantissant un maniement fiable tout en empêchant un démarrage brusque lors de la mise en marche de la machine.

Un commutateur à potentiel zéro empêche un redémarrage de la machine après une panne de courant. Lors de la reprise du travail, éteindre la machine et l'enclencher à nouveau.

Le dispositif est pourvu de protection contre la surcharge, avec arrêt automatique, et contre les contre-coups. Il faut tenir compte que le dispositif, en l'absence de charge, revient au nombre de tours de travail d'origine. Une fois que le nombre de tours de travail a été atteint, le dispositif sera de nouveau prêt en vue de l'usage.

SYMBOLES



Veillez lire avec soin le mode d'emploi avant la mise en service



ATTENTION! AVERTISSEMENT! DANGER!



Toujours porter des lunettes protectrices en travaillant avec la machine.



Avant tous travaux sur la machine extraire la fiche de la prise de courant.



Accessoires - Ces pièces ne font pas partie de la livraison. Il s'agit là de compléments recommandés pour votre machine et énumérés dans le catalogue des accessoires.



Ne pas jeter les appareils électriques dans les ordures ménagères ! Conformément à la directive européenne 2002/96/EG relative aux déchets d'équipements électriques ou électroniques (DEEE), et à sa transposition dans la législation nationale, les appareils électriques doivent être collectés à part et être soumis à un recyclage respectueux de l'environnement.



Classe de protection II, outil électrique au niveau duquel la protection contre la foudre ne dépend pas uniquement de l'isolation de base et au niveau duquel des mesures de protection ultérieures ont été prises, telles que la double isolation ou l'isolation augmentée.



DATI TECNICI Smerigliatrice	AG 12-115 X (220-240 V)	AG 12-115 X (110-120 V)	AG 12-125 X (220-240 V)
Numero di serie	4281 36 01... 4280 51 01... 4280 61 01... ... 000001-999999	4281 41 01... 4280 66 01... ... 000001-999999	4280 78 01... ... 000001-999999
Potenza assorbita nominale	1200 W	1200 W	1200 W
Numero giri nominale	11000 min ⁻¹	11000 min ⁻¹	11000 min ⁻¹
Ø disco abrasivo	115 mm	115 mm	125 mm
Spessore disco levigatore	6 mm (1/4")	6 mm (1/4")	6 mm (1/4")
Passo attacco codolo	M 14	M 14	M 14
Peso secondo la procedura EPTA 01/2003.	2,3 kg	2,3 kg	2,3 kg
Informazioni sulla rumorosità/sulle vibrazioni Valori misurati conformemente alla norma EN 60 745. La misurazione A del livello di pressione acustica dell'utensile è di solito di: Livello di rumorosità (K=3dB(A)) Potenza della rumorosità (K=3dB(A)) Utilizzare le protezioni per l'udito!	89,0 dB(A) 100,0 dB(A)	89,5 dB(A) 100,5 dB(A)	89,0 dB(A) 100,0 dB(A)
Valori totali delle oscillazioni (somma di vettori in tre direzionmisurati conformemente alla norma EN 60745 Levigatura della superficie: Valore di emissione dell'oscillazione a _h Incertezza della misura K= Levigatura con foglio abrasivo: Valore di emissione dell'oscillazione a _h Incertezza della misura K=	7,8 m/s ² 1,5 m/s ² 3,6 m/s ² 1,5 m/s ²	6,8 m/s ² 1,5 m/s ² 4,5 m/s ² 1,5 m/s ²	7,8 m/s ² 1,5 m/s ² 3,6 m/s ² 1,5 m/s ²



DATI TECNICI Smerigliatrice	AGV 12-125 X (220-240 V)	AGV 12-125 X PD (220-240 V)
Numero di serie	4280 86 01... ... 000001-999999	4332 41 01... ... 000001-999999
Potenza assorbita nominale	1200 W	1200 W
Numero giri nominale	11000 min ⁻¹	11000 min ⁻¹
Ø disco abrasivo	125 mm	125 mm
Spessore disco levigatore	6 mm (1/4")	6 mm (1/4")
Passo attacco codolo	M 14	M 14
Peso secondo la procedura EPTA 01/2003.	2,4 kg	2,4 kg
Informazioni sulla rumorosità/sulle vibrazioni Valori misurati conformemente alla norma EN 60 745. La misurazione A del livello di pressione acustica dell'utensile è di solito di: Livello di rumorosità (K=3dB(A)) Potenza della rumorosità (K=3dB(A)) Utilizzare le protezioni per l'udito!	89,0 dB(A) 100,0 dB(A)	89,0 dB(A) 100,0 dB(A)
Valori totali delle oscillazioni (somma di vettori in tre direzionmisurati conformemente alla norma EN 60745 Levigatura della superficie: Valore di emissione dell'oscillazione a _h Incertezza della misura K= Levigatura con foglio abrasivo: Valore di emissione dell'oscillazione a _h Incertezza della misura K=	7,8 m/s ² 1,5 m/s ² 3,6 m/s ² 1,5 m/s ²	7,8 m/s ² 1,5 m/s ² 3,6 m/s ² 1,5 m/s ²

AVVERTENZA

Il livello di vibrazioni indicato nelle presenti istruzioni è stato misurato in conformità con un procedimento di misurazione codificato nella EN 60745 e può essere utilizzato per un confronto tra attrezzi elettrici. Inoltre si può anche utilizzare per una valutazione preliminare della sollecitazione da vibrazioni.

Il livello di vibrazioni indicato rappresenta le applicazioni principali dell'attrezzo elettrico. Se viceversa si utilizza l'attrezzo elettrico per altri scopi, con accessori differenti o con una manutenzione insufficiente, il livello di vibrazioni può risultare diverso. E questo può aumentare decisamente la sollecitazione da vibrazioni lungo l'intero periodo di lavorazione.

Ai fini di una valutazione precisa della sollecitazione da vibrazioni si dovrebbero tenere presente anche i periodi in cui l'apparecchio rimane spento oppure, anche se acceso, non viene effettivamente utilizzato. Ciò può ridurre notevolmente la sollecitazione da vibrazioni lungo l'intero periodo di lavorazione.

Stabilite misure di sicurezza supplementari per la tutela dell'operatore dall'effetto delle vibrazioni, come ad esempio: manutenzione dell'attrezzo elettrico e degli accessori, riscaldamento delle mani, organizzazione dei processi di lavoro.

Italiano

⚠ AVVERTENZA! È necessario leggere tutte le indicazioni di sicurezza e le istruzioni, anche quelle contenute nella brochure allegata. In caso di mancato rispetto delle avvertenze di pericolo e delle istruzioni operative si potrà creare il pericolo di scosse elettriche, incendi e/o incidenti gravi.
Conservare tutte le avvertenze di pericolo e le istruzioni operative per ogni esigenza futura.

NORME DI SICUREZZA

Istruzioni di sicurezza generali per lavori di levigatura, levigatura con carta vetrata, lavori con spazzole metalliche, troncatura:

a) Questo elettroutensile è previsto per essere utilizzato come levigatrice, levigatrice per carta a vetro, spazzola metallica e troncatrice. Attenersi a tutte le avvertenze di pericolo, istruzioni, rappresentazioni e dati che si ricevono insieme all'elettroutensile. In caso di mancata osservanza delle seguenti istruzioni vi è il pericolo di provocare una scossa elettrica, di sviluppare incendi e/o di provocare seri incidenti.

b) Questo attrezzo elettrico non è idoneo per la lucidatura. Qualsiasi utilizzo non previsto con il presente attrezzo elettrico può causare pericolo e lesioni.

c) Non utilizzare nessun accessorio che la casa costruttrice non abbia esplicitamente previsto e raccomandato per questo elettroutensile. Il semplice fatto che un accessorio possa essere fissato al Vostro elettroutensile non è una garanzia per un impiego sicuro.

d) Il numero di giri ammesso dell'accessorio impiegato deve essere almeno tanto alto quanto il numero massimo di giri riportato sull'elettroutensile. Un accessorio che gira più rapidamente di quanto consentito può rompersi in vari pezzi e venir lanciato intorno.

e) Il diametro esterno e lo spessore dell'accessorio montato devono corrispondere ai dati delle dimensioni dell'elettroutensile in dotazione. In caso di utilizzo di portautensili e di accessori di dimensioni sbagliate non sarà possibile schermanli oppure controllarli a sufficienza.

f) Dischi abrasivi, flange, platorelli oppure altri portautensili ed accessori devono adattarsi perfettamente al mandrino portamolà dell'elettroutensile in dotazione. Portautensili ed accessori che non si adattino perfettamente al mandrino portamolà dell'elettroutensile non ruotano in modo uniforme, vibrano molto forte e possono provocare la perdita del controllo.

g) Non utilizzare mai portautensili od accessori danneggiati. Prima di ogni utilizzo controllare i portautensili e gli accessori ed accertarsi che sui dischi abrasivi non vi siano scheggiature o crepature, che il platorello non sia soggetto ad incrinature, crepature o forte usura e che le spazzole metalliche non abbiano fili metallici allentati oppure rotti. **Se l'elettroutensile oppure l'accessorio impiegato dovesse sfuggire dalla mano e cadere, accertarsi che questo non abbia subito nessun danno oppure utilizzare un accessorio intatto. Una volta controllato e montato il portautensile o accessorio, far funzionare l'elettroutensile per la durata di un minuto con il numero massimo di giri avendo cura di tenersi lontani e di impedire anche ad altre persone presenti di avvicinarsi al portautensile o accessorio in rotazione.** Nella maggior parte dei casi i portautensili o accessori danneggiati si rompono nel corso di questo periodo di prova.

h) Indossare abbigliamento di protezione. A seconda dell'applicazione in corso utilizzare una visiera completa, maschera di protezione per gli occhi oppure occhiali di

sicurezza. Per quanto necessario, portare maschere per polveri, protezione acustica, guanti di protezione oppure un grembiule speciale in grado di proteggervi da piccole particelle di levigatura o di materiale. Gli occhi dovrebbero essere protetti da corpi estranei espulsi in aria nel corso di diverse applicazioni. La maschera antipolvere e la maschera respiratoria devono essere in grado di filtrare la polvere provocata durante l'applicazione. Esponendosi per lungo tempo ad un rumore troppo forte vi è il pericolo di perdere l'udito.

i) Avere cura di evitare che altre persone possano avvicinarsi alla zona in cui si sta lavorando. Ogni persona che entra nella zona di operazione deve indossare un abbigliamento protettivo personale. Frammenti del pezzo in lavorazione oppure utensili rotti possono volar via oppure provocare incidenti anche al di fuori della zona diretta di lavoro.

j) Quando si eseguono lavori in cui vi è pericolo che l'accessorio impiegato possa arrivare a toccare cavi elettrici nascosti oppure anche il cavo elettrico della macchina stessa, tenere l'elettroutensile afferrandolo sempre alle superfici di impugnatura isolate. L'eventuale contatto dell'utensile da taglio con un cavo sotto tensione potrebbe mettere sotto tensione le parti metalliche dell'apparecchio e provocare una folgorazione.

k) Tenere il cavo di collegamento elettrico sempre lontano da portautensili o accessori in rotazione. Se si perde il controllo sull'elettroutensile vi è il pericolo di troncare o di colpire il cavo di collegamento elettrico e la Vostra mano o braccio può arrivare a toccare il portautensile o accessorio in rotazione.

l) Mai poggiare l'elettroutensile prima che il portautensile o l'accessorio impiegato non si sia fermato completamente. L'utensile in rotazione può entrare in contatto con la superficie di appoggio facendoVi perdere il controllo sulla macchina pneumatica.

m) Mai trasportare l'elettroutensile mentre questo dovesse essere ancora in funzione. Attraverso un contatto casuale l'utensile in rotazione potrebbe fare presa sugli indumenti oppure sui capelli dell'operatore e potrebbe arrivare a ferire seriamente il corpo dell'operatore.

n) Pulire regolarmente le feritoie di ventilazione dell'elettroutensile in dotazione. Il ventilatore del motore attira polvere nella carcassa ed una forte raccolta di polvere di metallo può provocare pericoli di origine elettrica.

o) Non utilizzare mai l'elettroutensile nelle vicinanze di materiali infiammabili. Le scintille possono far prendere fuoco questi materiali.

p) Non utilizzare mai accessori che richiedano refrigeranti liquidi. L'utilizzo di acqua o di altri liquidi refrigeranti può provocare una scossa di corrente elettrica.

Contraccolpo e relative avvertenze di pericolo

Un contraccolpo è l'improvvisa reazione in seguito ad agganciamento oppure blocco di accessorio in rotazione come può essere un disco abrasivo, platorello, spazzola metallica ecc. Agganciandosi oppure bloccandosi il portautensile o accessorio provoca un arresto improvviso della rotazione dello stesso. In questo caso l'operatore non è più in grado di controllare l'elettroutensile ed al punto di blocco si provoca un rimbalzo dello stesso che avviene nella direzione opposta a quella della rotazione del portautensile o dell'accessorio.

Se p. es. un disco abrasivo resta agganciato o bloccato nel pezzo in lavorazione, il bordo del disco abrasivo che si abbassa nel pezzo in lavorazione può rimanere impigliato provocando in questo modo una rottura oppure un contraccolpo del disco abrasivo. Il disco abrasivo si avvicina o si allontana dall'operatore a seconda della direzione di rotazione che ha nel momento in cui si blocca. In tali situazioni è possibile che le mole abrasive possano anche rompersi.



Un contraccolpo è la conseguenza di un utilizzo non appropriato oppure non corretto dell'elettrotensile. Esso può essere evitato soltanto prendendo misure adatte di sicurezza come dalla descrizione che segue.

a) Tenere sempre ben saldo l'elettrotensile e portare il proprio corpo e le proprie braccia in una posizione che Vi permetta di compensare le forze di contraccolpo. Se disponibile, utilizzare sempre l'impugnatura supplementare in modo da poter avere sempre il maggior controllo possibile su forze di contraccolpi oppure momenti di reazione che si sviluppano durante la fase in cui la macchina raggiunge il regime di pieno carico. Prendendo appropriate misure di precauzione l'operatore può essere in grado di tenere sotto controllo le forze di contraccolpo e quelle di reazione a scatti.

b) Mai avvicinare la propria mano alla zona degli utensili in rotazione. Nel corso dell'azione di contraccolpo il portautensili o accessorio potrebbe passare sulla Vostra mano.

c) Evitare di avvicinarsi con il proprio corpo alla zona in cui l'elettrotensile viene mosso in caso di un contraccolpo. Un contraccolpo provoca uno spostamento improvviso dell'elettrotensile che si sviluppa nella direzione opposta a quella della rotazione della mola abrasiva al punto di blocco.

d) Operare con particolare attenzione in prossimità di spigoli, spigoli taglienti ecc.. Avere cura di impedire che portautensili o accessori possano rimbalzare dal pezzo in lavorazione oppure possano rimanervi bloccati. L'utensile in rotazione ha la tendenza a rimanere bloccato in angoli, spigoli taglienti oppure in caso di rimbalzo. Ciò provoca una perdita del controllo oppure un contraccolpo.

e) Non utilizzare una lama a catena oppure dentata. Utensili di questo tipo causano spesso contraccolpi oppure comportano la perdita del controllo sull'utensile elettrico.

Particolari avvertenze di pericolo per operazioni di levigatura e di tronatura

a) Utilizzare esclusivamente utensili abrasivi che siano esplicitamente ammessi per l'elettrotensile in dotazione e sempre in combinazione con la cuffia di protezione prevista per ogni utensile abrasivo. Utensili abrasivi che non sono previsti per l'elettrotensile non possono essere sufficientemente schermati e sono insicuri.

b) I dischi levigatori con centro ribassato devono essere montati in maniera tale che la loro superficie di molatura non sporga oltre il livello del bordo della cuffia di protezione. Un disco levigatore montato non correttamente che sporga oltre il livello del bordo della cuffia di protezione non potrà essere sufficientemente schermato.

c) Utilizzare sempre la cuffia di protezione prevista per il tipo di utensile abrasivo utilizzato. La cuffia di protezione deve essere applicata con sicurezza all'elettrotensile e regolata in modo tale da poter garantire il massimo possibile di sicurezza, cioè, che la parte dell'utensile abrasivo che senza protezione indica verso l'operatore deve essere ridotta al minimo possibile. La cuffia di protezione ha il compito di proteggere l'operatore da frammenti e da contatti accidentali con l'utensile abrasivo.

d) Utensili abrasivi possono essere utilizzati esclusivamente per le possibilità applicative esplicitamente raccomandate. P. es.: Mai eseguire lavori di levigatura con la superficie laterale di un disco abrasivo da taglio diritto. Mole abrasive da taglio diritto sono previste per l'asportazione di materiale con il bordo del disco. Esercitando dei carichi laterali su questi utensili abrasivi vi è il pericolo di romperli.

e) Per la mola abrasiva selezionata, utilizzare sempre flange di serraggio che siano in perfetto stato e che siano della corretta dimensione e forma. Flange adatte hanno una funzione di corretto supporto della mola abrasiva riducendo il più possibile il pericolo di una rottura della mola abrasiva. È possibile che vi sia una differenza tra flange per mole abrasive da taglio diritto e flange per mole abrasive di altro tipo.

f) Non utilizzare mai mole abrasive usurate previste per elettrotensili più grandi. Mole abrasive previste per elettrotensili più grandi non sono concepite per le maggiori velocità di elettrotensili più piccoli e possono rompersi.

Ulteriori avvertenze di pericolo specifiche per lavori di tronatura

a) Evite que se bloquee el disco tronizador y una presión de aplicación excesiva. No intente realizar cortes demasiado profundos. Sottoponendo la mola da taglio diritto a carico eccessivo se ne aumenta la sollecitazione e la si rende maggiormente soggetta ad angolature improprie o a blocchi venendo così a creare il pericolo di contraccolpo oppure di rottura dell'utensile abrasivo.

b) Evitare di avvicinarsi alla zona anteriore o posteriore al disco abrasivo da taglio in rotazione. Quando l'operatore manovra la mola da taglio diritto nel pezzo in lavorazione in direzione opposta a quella della propria persona, può capitare che in caso di un contraccolpo il disco in rotazione faccia rimbalzare con violenza l'elettrotensile verso l'operatore.

c) Qualora il disco abrasivo da taglio diritto dovesse incepparsi oppure si dovesse interrompere il lavoro, spegnere l'elettrotensile e tenerlo fermo fino a quando il disco si sarà fermato completamente. Non tentare mai di estrarre il disco abrasivo dal taglio in esecuzione perché si potrebbe provocare un contraccolpo. Rilevare ed eliminare la causa per il blocco.

d) Mai rimettere l'elettrotensile in funzione fintanto che esso si trovi ancora nel pezzo in lavorazione. Prima di continuare ad eseguire il taglio procedendo con la dovuta attenzione, attendere che il disco abrasivo da taglio diritto abbia raggiunto la massima velocità. In caso contrario è possibile che il disco resti agganciato, sbalzi dal pezzo in lavorazione oppure provochi un contraccolpo.

e) Dotare di un supporto adatto pannelli oppure pezzi in lavorazione di dimensioni maggiori in modo da ridurre il rischio di un contraccolpo dovuto ad un disco abrasivo da taglio diritto che rimane bloccato. Pezzi in lavorazione di dimensioni maggiori possono piegarsi sotto l'effetto del proprio peso. Provvedere a munire il pezzo in lavorazione di supporti adatti al caso specifico sia nelle vicinanze del taglio di tronatura che in quelle del bordo.

f) Operare con particolare attenzione in caso di «tagli dal centro» da eseguire in pareti già esistenti oppure in altre parti non visibili. Il disco abrasivo da taglio diritto che inizia il taglio sul materiale può provocare un contraccolpo se dovesse arrivare a troncare condutture del gas o dell'acqua, linee elettriche oppure oggetti di altro tipo.

Avvertenze di pericolo specifiche per lavori di levigatura con carta vetro

a) Non utilizzare mai fogli abrasivi troppo grandi ma attenersi alle indicazioni del rispettivo produttore relative alle dimensioni dei fogli abrasivi. Fogli abrasivi che dovessero sporgere oltre il platorello possono provocare incidenti oppure blocchi, strappi dei fogli abrasivi oppure contraccolpi.



Avvertenze di pericolo specifiche per lavori con spazzole metalliche

a) Tenere presente che le spazzole di fili metallici perdono frammenti di filo di metallo anche durante un uso normale. Non sovraccaricare i fili metallici esercitando una eccessiva pressione. I frammenti di fili metallici eiettati potrebbero facilmente penetrare attraverso abbigliamento leggero e/o la pelle.

b) Impiegando una cuffia di protezione si impedisce che la cuffia di protezione e la spazzola metallica possano toccarsi. I diametri delle spazzole a disco e delle spazzola a tazza possono essere aumentati attraverso forze di pressione e tramite l'azione di forze centrifugali.

Gli apparecchi mobili usati all'aperto devono essere collegati interponendo un interruttore di sicurezza (FI, RCD, PRCD) per guasti di corrente.

Non rimuovere trucioli o schegge mentre l'utensile è in funzione.

Inserire la spina solo con interruttore su posizione "OFF".

Non entrare nel raggio d'azione dell'utensile mentre è in funzione.

Utilizzare sempre l'impugnatura laterale.

Per sgrassare e tagliare utilizzare sempre la calotta di protezione.

Disinserire immediatamente la macchina in caso che si verificano delle forti oscillazioni oppure se si riscontrano altri difetti. Controllare la macchina per cercare di identificarne le cause.

Utilizzare e conservare le mole abrasive conformemente alle indicazioni della casa costruttrice.

Smerigliando metalli si producono scintille. Attenzione a non mettere in pericolo l'incolumità di persone. Per via del pericolo di incendio, nessun tipo di materiale infiammabile può trovarsi nelle vicinanze (potenziale raggio delle scintille). Non utilizzare aspirapolveri.

Tenere sempre l'utensile in modo tale che le scintille e polveri di molatura volino lontano dal corpo.

La slitta di guida è prescritta per la taglio della pietra.

Il dado flangiato deve essere serrato prima dell'utilizzo della macchina.

Il pezzo in lavorazione deve essere ben bloccato in posizione a meno che non resti stabile per via del proprio peso. Mai applicare a mano sulla mola il pezzo in lavorazione.

In condizioni di utilizzo estreme (ad es. nella rettifica liscia di metalli con il piatto di appoggio e dischi smerigliatori in fibra vulcanizzati può accumulare molta sporcizia all'interno della smerigliatrice angolare. Con simili condizioni di utilizzo, per motivi di sicurezza, è necessaria una pulizia a fondo all'interno per eliminare i depositi di metallo ed è assolutamente indispensabile inserire un interruttore di sicurezza per corrente di guasto a monte. Quando scatta l'interruttore di sicurezza la macchina va spedita alla riparazione.

Per gli utensili previsti per il montaggio con mola con foro filettato, verificare che la filettatura della mola sia sufficientemente lunga da consentire l'inserimento del mandrino.

Per i lavori di separazione utilizzare la cappa di protezione chiusa dal programma accessori.

UTILIZZO CONFORME

La smerigliatrice angolare può essere utilizzata per l'asportazione e la rettifica di sgrassatura di molti materiali, ad es. metallo o pietra, nonché per la rettifica con dischi smerigliatori di plastica e perlavorare con la spazzola di acciaio. In caso di dubbi vanno rispettate le indicazioni dei produttori degli accessori.

Utilizzare il prodotto solo per l'uso per cui è previsto.

COLLEGAMENTO ALLA RETE

Connettere solo corrente alternata mono fase e solo al sistema di voltaggio indicato sulla piastra. È possibile anche connettere la presa senza un contatto di messa a terra così come prevede lo schema conforme alle norme di sicurezza di classe II.

DICHIARAZIONE DI CONFORMITÀ CE

Dichiariamo sotto la nostra esclusiva responsabilità che il prodotto descritto ai „Dati tecnici“ corrisponde a tutte le disposizioni delle direttive 2011/65/EU (RoHS), 2004/108/EG, 2006/42/EG e successivi documenti normativi armonizzati:

EN 60745-1:2009

EN 60745-2-3:2011

EN 55014-1:2006 + A1:2009 + A2:2011

EN 55014-2:1997 + A1:2001 + A2:2008

EN 61000-3-2:2006 + A1:2009 + A2:2009

EN 61000-3-3:2008



Winnenden, 2013-05-07

Alexander Krug / Managing Director

Autorizzato alla preparazione della documentazione tecnica

Techtronic Industries GmbH

Max-Eyth-Straße 10, 71364 Winnenden, Germany

MANUTENZIONE

Tener sempre ben pulite le fessure di ventilazione dell'apparecchio.

Non lasciare che nessuna parte metallica venga a contatto con l'apertura dell'areazione - pericolo di corto circuito

Usare solo accessori Milwaukee e pezzi di ricambio Milwaukee. Gruppi costruttivi la cui sostituzione non è stata descritta, devono essere fatti cambiare da un punto di servizio di assistenza tecnica al cliente Milwaukee (vedi depliant garanzia/indirizzi assistenza tecnica ai clienti).

In caso di necessità è possibile richiedere un disegno esploso del dispositivo indicando il modello della macchina ed il numero a sei cifre sulla targa di potenza rivolgendosi al centro di assistenza tecnica o direttamente a Techtronic Industries GmbH, Max-Eyth-Straße 10, 71364 Winnenden, Germany.

ELETTRONICA

AGV 12-125 X, AGV 12-125 PD

Avviamento elettronico graduale, non brusco, per garantire una presa più sicura

Interruttore di sicurezza che previene l'avviamento accidentale dell'utensile dopo una interruzione di corrente nella rete elettrica. Per ripristinare il funzionamento, riportare l'interruttore in posizione di spento e quindi premere nuovamente l'interruttore.

Il dispositivo è provvisto di protezione contro il sovraccarico, con arresto automatico, e contro i contraccolpi. Tenere presente che il dispositivo, in assenza del carico, ritorna all'originale numero di giri di lavoro. A raggiungimento del numero di giri di lavoro il dispositivo sarà nuovamente pronto all'uso.



SIMBOLI



Leggere attentamente le istruzioni per l'uso prima di mettere in funzione l'elettrodomestico.



ATTENZIONE! AVVERTENZA! PERICOLO!



Durante l'uso dell'apparecchio utilizzare sempre gli occhiali di protezione.



Prima di effettuare qualsiasi lavoro sulla macchina togliere la spina dalla presa di corrente.



Accessorio - Non incluso nella dotazione standard, disponibile a parte come accessorio.



Non gettare le apparecchiature elettriche tra i rifiuti domestici. Secondo la Direttiva Europea 2002/96/CE sui rifiuti di apparecchiature elettriche ed elettroniche e la sua attuazione in conformità alle norme nazionali, le apparecchiature elettriche esauste devono essere accolte separatamente, al fine di essere reimpiegate in modo eco-compatibile.



Classe di protezione II, utensile elettrico sul quale la protezione contro la folgorazione elettrica non dipende soltanto dall'isolamento di base e sul quale trovano applicazione ulteriori misure di protezione, come il doppio isolamento o l'isolamento maggiorato.



DATOS TÉCNICOS Amoladora Angular	AG 12-115 X (220-240 V)	AG 12-115 X (110-120 V)	AG 12-125 X (220-240 V)
Número de producción	4281 36 01... 4280 51 01... 4280 61 01... ... 000001-999999	4281 41 01... 4280 66 01... ... 000001-999999	4280 78 01... ... 000001-999999
Potencia de salida nominal	1200 W	1200 W	1200 W
Revoluciones nominales	11000 min ⁻¹	11000 min ⁻¹	11000 min ⁻¹
Diám. disco de amolado	115 mm	115 mm	125 mm
Espesor del disco abrasivo	6 mm (1/4")	6 mm (1/4")	6 mm (1/4")
Rosca de eje de trabajo	M 14	M 14	M 14
Peso de acuerdo con el procedimiento EPTA 01/2003	2,3 kg	2,3 kg	2,3 kg
Información sobre ruidos / vibraciones Determinación de los valores de medición según norma EN 60 745. El nivel de ruido típico del aparato determinado con un filtro A corresponde a: Presión acústica (K=3dB(A)) Resonancia acústica (K=3dB(A)) Usar protectores auditivos!	89,0 dB(A) 100,0 dB(A)	89,5 dB(A) 100,5 dB(A)	89,0 dB(A) 100,0 dB(A)
Nivel total de vibraciones (suma vectorial de tres direcciones) determinado según EN 60745. Amolado superficial: Valor de vibraciones generadas a _h Tolerancia K= aAolado con hoja lijadora: Valor de vibraciones generadas a _h Tolerancia K=	7,8 m/s ² 1,5 m/s ² 3,6 m/s ² 1,5 m/s ²	6,8 m/s ² 1,5 m/s ² 4,5 m/s ² 1,5 m/s ²	7,8 m/s ² 1,5 m/s ² 3,6 m/s ² 1,5 m/s ²



DATOS TÉCNICOS Amoladora Angular	AGV 12-125 X (220-240 V)	AGV 12-125 X PD (220-240 V)
Número de producción	4280 86 01... ... 000001-999999	4332 41 01... ... 000001-999999
Potencia de salida nominal	1200 W	1200 W
Revoluciones nominales	11000 min ⁻¹	11000 min ⁻¹
Diám. disco de amolado	125 mm	125 mm
Espesor del disco abrasivo	6 mm (1/4")	6 mm (1/4")
Rosca de eje de trabajo	M 14	M 14
Peso de acuerdo con el procedimiento EPTA 01/2003	2,4 kg	2,4 kg
Información sobre ruidos / vibraciones Determinación de los valores de medición según norma EN 60 745. El nivel de ruido típico del aparato determinado con un filtro A corresponde a: Presión acústica (K=3dB(A)) Resonancia acústica (K=3dB(A)) Usar protectores auditivos!	89,0 dB(A) 100,0 dB(A)	89,0 dB(A) 100,0 dB(A)
Nivel total de vibraciones (suma vectorial de tres direcciones) determinado según EN 60745. Amolado superficial: Valor de vibraciones generadas a _h Tolerancia K= aAolado con hoja lijadora: Valor de vibraciones generadas a _h Tolerancia K=	7,8 m/s ² 1,5 m/s ² 3,6 m/s ² 1,5 m/s ²	7,8 m/s ² 1,5 m/s ² 3,6 m/s ² 1,5 m/s ²

ADVERTENCIA

El nivel vibratorio indicado en estas instrucciones ha sido medido conforme a un método de medición estandarizado en la norma EN 60745, y puede utilizarse para la comparación entre herramientas eléctricas. También es apropiado para una estimación provisional de la carga de vibración.

El nivel vibratorio indicado representa las aplicaciones principales de la herramienta eléctrica. Si, pese a ello, se utiliza la herramienta eléctrica para otras aplicaciones, con útiles adaptables diferentes o con un mantenimiento insuficiente, el nivel vibratorio puede diferir. Esto puede incrementar sensiblemente la carga de vibración durante todo el periodo de trabajo.

Para una estimación exacta de la carga de vibración deberían tenerse en cuenta también los tiempos durante los que el aparato está apagado o, pese a estar en funcionamiento, no está siendo realmente utilizado. Esto puede reducir sustancialmente la carga de vibración durante todo el periodo de trabajo.

Adopte medidas de seguridad adicionales para la protección del operador frente al efecto de las vibraciones, como por ejemplo: mantenimiento de la herramienta eléctrica y de los útiles adaptables, mantener las manos calientes, organización de los procesos de trabajo.

⚠ ADVERTENCIA! Rogamos leer las indicaciones de seguridad y las instrucciones, también las que contiene el folleto adjunto. En caso de no atenerse a las advertencias de peligro e instrucciones siguientes, ello puede ocasionar una descarga eléctrica, un incendio y/o lesión grave. **Guardar todas las advertencias de peligro e instrucciones para futuras consultas.**

INSTRUCCIONES DE SEGURIDAD

Advertencias de peligro generales al realizar trabajos de amolado, lijado, con cepillos de alambre, tronzado:

a) Esta herramienta eléctrica ha sido concebida para amolar, lijar, trabajar con cepillos de alambre y tronzar. Observe todas las advertencias de peligro, instrucciones, ilustraciones y especificaciones técnicas que se suministran con la herramienta eléctrica. En caso de no atenerse a las instrucciones siguientes, ello puede provocar una electrocución, incendio y/o lesiones serias.

b) Esta herramienta eléctrica no es adecuada para pulir. El uso de la herramienta para un fin no previsto puede conllevar riesgos y causar heridas.

c) No emplee accesorios diferentes de aquellos que el fabricante haya previsto o recomendado especialmente para esta herramienta eléctrica. El mero hecho de que sea acoplable un accesorio a su herramienta eléctrica no implica que su utilización resulte segura.

d) Las revoluciones admisibles del útil deberán ser como mínimo iguales a las revoluciones máximas indicadas en la herramienta eléctrica. Aquellos accesorios que giren a unas revoluciones mayores a las admisibles pueden llegar a romperse y salir despedidos.

e) El diámetro exterior y el grosor del útil deberán corresponder con las medidas indicadas para su herramienta eléctrica. Los útiles de dimensiones incorrectas no pueden protegerse ni controlarse con suficiente seguridad.

f) Los orificios de los discos amoladores, bridas, platos lijadores u otros útiles deberán alojar exactamente sobre el husillo de su herramienta eléctrica. Los útiles que no ajusten correctamente sobre el husillo de la herramienta eléctrica, al girar descentrados, generan unas vibraciones excesivas y pueden hacerle perder el control sobre el aparato.

g) No use útiles dañados. Antes de cada uso inspeccione el estado de los útiles con el fin de detectar, p. ej., si están desportillados o fisurados los útiles de amolar, si está agrietado o muy desgastado el plato lijador, o si las púas de los cepillos de alambre están flojas o rotas. Si se le cae la herramienta eléctrica o el útil, inspeccione si han sufrido algún daño o monte otro útil en correctas condiciones. Una vez controlado y montado el útil sitúese Vd. y las personas circundantes fuera del plano de rotación del útil y deje funcionar la herramienta eléctrica en vacío, a las revoluciones máximas, durante un minuto. Por lo regular, aquellos útiles que estén dañados suelen romperse al realizar esta comprobación.

h) Utilice un equipo de protección personal. Dependiendo del trabajo a realizar use una careta, una protección para los ojos, o unas gafas de protección. Si procede, emplee una mascarilla antipolvo, protectores auditivos, guantes de protección o un mandil especial adecuado para protegerle de los pequeños fragmentos que pudieran salir proyectados al desprenderse del útil o pieza. Las gafas de protección deberán ser indicadas para protegerle de los fragmentos que pudieran salir despedidos al trabajar. La mascarilla antipolvo o respiratoria deberá ser apta para filtrar las

partículas producidas al trabajar. La exposición prolongada al ruido puede provocar sordera.

i) Cuide que las personas en las inmediaciones se mantengan a suficiente distancia de la zona de trabajo. Toda persona que acceda a la zona de trabajo deberá utilizar un equipo de protección personal. Podrían ser lesionadas, incluso fuera del área de trabajo inmediato, al salir proyectados fragmentos de la pieza de trabajo o del útil.

j) Únicamente sujete el aparato por las empuñaduras aisladas al realizar trabajos en los que el útil pueda tocar conductores eléctricos ocultos o el propio cable del aparato. El contacto de la perforadora de percusión con un conducto con energía aplicada también podrá poner bajo tensión partes metálicas del aparato y causar un choque eléctrico.

k) Mantenga el cable de red alejado del útil en funcionamiento. En caso de que Vd. pierda el control sobre la herramienta eléctrica puede llegar a cortarse o enredarse el cable de red con el útil y lesionarle su mano o brazo.

l) Jamás deposite la herramienta eléctrica antes de que el útil se haya detenido por completo. El útil en funcionamiento puede llegar a tocar la base de apoyo y hacerle perder el control sobre la herramienta eléctrica.

m) No deje funcionar la herramienta eléctrica mientras la transporta. El útil en funcionamiento podría lesionarle al engancharse accidentalmente con su vestimenta.

n) Limpie periódicamente las rejillas de refrigeración de su herramienta eléctrica. El ventilador del motor aspira polvo hacia el interior de la carcasa, por lo que, en caso de una acumulación fuerte de polvo metálico, ello puede provocarle una descarga eléctrica.

o) No utilice la herramienta eléctrica cerca de materiales combustibles. Las chispas producidas al trabajar pueden llegar a incendiar estos materiales.

p) No emplee útiles que requieran ser refrigerados con líquidos. La aplicación de agua u otros refrigerantes líquidos puede comportar una descarga eléctrica.

Causas del rechazo y advertencias al rechazo

El rechazo es un reacción brusca que se produce al atascarse o engancharse el útil, como un disco de amolar, plato lijador, cepillo, etc. Al atascarse o engancharse el útil en funcionamiento, éste es frenado bruscamente. Ello puede hacerle perder el control sobre la herramienta eléctrica y hacer que ésta salga impulsada en dirección opuesta al sentido de giro que tenía el útil.

En el caso, p. ej., de un disco amolador se atasque o bloquee en la pieza de trabajo, puede suceder que el canto del útil que penetra en el material se enganche, provocando la rotura del útil o el rechazo del aparato. Según el sentido de giro y la posición del útil en el momento de bloquearse puede que éste resulte despedido hacia, o en sentido opuesto al usuario. En estos casos puede suceder que el útil incluso llegue a romperse.

El rechazo es ocasionado por la aplicación o manejo incorrecto de la herramienta eléctrica. Es posible evitarlo ateniéndose a las medidas preventivas que a continuación se detallan.

a) Sujete con firmeza la herramienta eléctrica y mantenga su cuerpo y brazos en una posición propicia para resistir las fuerzas de reacción. Si forma parte del aparato, utilice siempre la empuñadura adicional para poder soportar mejor las fuerzas del rechazo, además de los pares de reacción que se presentan en la puesta en marcha. El usuario puede controlar las fuerzas del rechazo y de reacción si toma unas medidas preventivas oportunas.

b) Jamás aproxime su mano al útil en funcionamiento. En caso de un rechazo, el útil podría lesionarle la mano.

c) No se sitúe dentro del área hacia el que se movería la

herramienta eléctrica al ser rechazada. Al resultar rechazada, la herramienta eléctrica saldrá despedida desde el punto de bloqueo en dirección opuesta al sentido de giro del útil.

d) Tenga especial precaución al trabajar esquinas, cantos afilados, etc. Evite que el útil de amolar rebote contra la pieza de trabajo o que se atasque. En las esquinas, cantos afilados, o al rebotar, el útil en funcionamiento tiende a atasarse. Ello puede hacerle perder el control o causar un rechazo del útil.

e) No use hojas de cadena cortante o dentadas. Estas herramientas intercambiables generan con frecuencia un contragolpe o la pérdida del control sobre la herramienta eléctrica.

Instrucciones de seguridad específicas para operaciones de amolado y tronzado

a) Use exclusivamente útiles homologados para su herramienta eléctrica, en combinación con la caperuza protectora prevista para estos útiles. Los útiles que no fueron diseñados para su uso en esta herramienta eléctrica pueden quedar insuficientemente protegidos y suponen un riesgo.

b) Discos lijadores con centro rebajado deberán montarse de tal forma que su superficie abrasiva no sobresalga la superficie del borde de la cubierta protectora. Un disco lijador montado de forma no apropiada, que sobresalga de la superficie del borde de la cubierta protectora, no podrá ser protegido de manera suficiente.

c) Siempre emplee la caperuza protectora prevista para el útil que va a usar. La caperuza protectora deberá montarse firmemente en la herramienta eléctrica cuidando que quede orientada de manera que ofrezca una seguridad máxima, o sea, cubriendo al máximo la parte del útil a la que queda expuesta el usuario. La misión de la caperuza protectora es proteger al usuario de los fragmentos que puedan desprenderse del útil y del contacto accidental con éste.

d) Solamente emplee el útil para aquellos trabajos para los que fue concebido. Por ejemplo, no emplee las caras de los discos tronzadores para amolar. En los útiles de tronzar, el arranque de material se lleva a cabo con los bordes del disco. Si estos útiles son sometidos a un esfuerzo lateral, ello puede provocar su rotura.

e) Siempre use para el útil seleccionado una brida en perfecto estado con las dimensiones y forma correctas. Una brida adecuada soporta convenientemente el útil reduciendo así el peligro de rotura. Las bridas para discos tronzadores pueden ser diferentes de aquellas para otros discos de amolar.

f) No intente aprovechar los discos amoladores de otras herramientas eléctricas más grandes, aunque su diámetro exterior se haya reducido suficientemente por el desgaste. Los discos amoladores destinados para herramientas eléctricas grandes no son aptos para soportar las velocidades periféricas más altas a las que trabajan las herramientas eléctricas más pequeñas, y pueden llegar a romperse.

Instrucciones de seguridad adicionales específicas para el tronzado

a) Evite que se bloquee el disco tronzador y una presión de aplicación excesiva. No intente realizar cortes demasiado profundos. Al solicitar en exceso el disco tronzador éste es más propenso a ladearse, bloquearse, a ser rechazado, o a romperse.

b) No se coloque delante o detrás del disco tronzador en funcionamiento, alineado con la trayectoria del corte. Mientras que al cortar, el disco tronzador es guiado en sentido opuesto a su cuerpo, en caso de un rechazo el disco tronzador y la herramienta eléctrica son impulsados directamente contra Ud.

c) Si el disco tronzador se bloquea, o si tuviese que interrumpir su trabajo, desconecte la herramienta eléctrica y manténgala

en esa posición, sin moverla, hasta que el disco tronzador se haya detenido por completo. Jamás intente sacar el disco tronzador en marcha de la ranura de corte, ya que ello podría provocar un rechazo. Investigue y subsane la causa del bloqueo.

d) No intente proseguir el corte, estando insertado el disco tronzador en la ranura de corte. Una vez fuera de la ranura de corte, espere a que el disco tronzador haya alcanzado las revoluciones máximas, y prosiga entonces el corte con cautela. En caso contrario el disco tronzador podría bloquearse, salirse de la ranura de corte, o resultar rechazado.

e) Soporte las planchas u otras piezas de trabajo grandes para reducir el riesgo de bloqueo o rechazo del disco tronzador. Las piezas de trabajo grandes tienden a curvarse por su propio peso. La pieza de trabajo deberá apoyarse desde abajo a ambos lados tanto cerca de la línea de corte como en los bordes.

f) Proceda con especial cautela al realizar recortes "por inmersión" en paredes o superficies similares. El disco tronzador puede ser rechazado al tocar tuberías de gas o agua, conductores eléctricos, u otros objetos.

Instrucciones de seguridad específicas para trabajos con hojas lijadoras

a) No use hojas lijadoras más grandes que el soporte, ateniéndose para ello a las dimensiones que el fabricante recomienda. Las hojas lijadoras de un diámetro mayor que el plato lijador pueden provocar un accidente, fisurarse, o provocar un rechazo.

Instrucciones de seguridad específicas para el trabajo con cepillos de alambre

a) Tenga en cuenta que las púas de los cepillos de alambre pueden desprenderse también durante un uso normal. No fuerce las púas ejerciendo una fuerza de aplicación excesiva. Las púas desprendidas pueden traspasar muy fácilmente tela delgada y/o la piel.

b) En caso de recomendarse el uso de una caperuza protectora, evite que el cepillo de alambre alcance a rozar contra la caperuza protectora. Los cepillos de plato y de vaso pueden aumentar su diámetro por efecto de la presión de aplicación y de la fuerza centrífuga.

Conecte siempre la máquina a una red protegida por interruptor diferencial y magnetotérmico (FI, RCD, PRCD), para su seguridad personal, según normas establecidas para instalaciones eléctricas de baja tensión.

Nunca se debe intentar limpiar el polvo o viruta procedente del taladrado con la máquina en funcionamiento.

Enchufar la máquina a la red solamente en posición desconectada.

No manipular en el rodillo ni en las cuchillas con la máquina conectada.

Emplear siempre el asidero adicional.

Utilice siempre la cubierta de protección en trabajos de amolado en bruto y corte.

Desconectar inmediatamente el aparato al presentarse vibraciones fuertes u otras anomalías. Examine la máquina para determinar las posibles causas.

Utilice y guarde siempre los discos de amolar según las indicaciones del fabricante.

Al amolar metales se proyectan chispas. Cuidar de no poner en peligro a personas. Debido al peligro de incendio no deben encontrarse cerca (en el área de alcance de las chispas) materiales inflamables. No utilice extracción de polvo en este caso.

Tenga cuidado para que no le salten chispas ni virutas de la pieza de trabajo.



¡Cuando corte piedra deberá usar el patín de guía!

La tuerca de apriete se debe asegurar antes de comenzar a trabajar con la máquina.

La pieza de trabajo debe fijarse adecuadamente, a no ser que se mantenga bien fija por su propio peso. Jamás aproxime una pieza al disco, sujetándola con la mano.

En caso de condiciones de funcionamiento extremas (p. ej. pulido de metales con el plato soporte y discos abrasivos de fibra vulcanizada se puede acumular mucha suciedad en el interior de la amoladora angular. En estas condiciones es necesario realizar, por motivos de seguridad, una limpieza profunda de las acumulaciones metálicas en el interior y debe conectarse obligatoriamente un interruptor de protección de corriente diferencial (FI). Si salta el interruptor de protección FI debe enviarse la máquina para su reparación.

En las herramientas que llevan una muela con agujero roscado, cerciórese de que la rosca en la muela es lo suficientemente larga para aceptar la longitud del vástago.

Para trabajos de tronzado, utilizar la cubierta protectora cerrada del programa de accesorios.



APLICACIÓN DE ACUERDO A LA FINALIDAD

La amoladora puede utilizarse para separar y desbastar muchos materiales, como p. ej. metal y piedra, así como para rectificar con el plato de rectificado de plástico y para trabajar con el cepillo de alambre de acero. En caso de dudas, observar las indicaciones de los fabricantes de los accesorios.

No utilice este producto para ninguna otra aplicación que no sea su uso normal.

CONEXIÓN ELÉCTRICA

Conectar solamente a corriente AC monofásica y sólo al voltaje indicado en la placa de características. También es posible la conexión a enchufes sin toma a tierra, dado que es conforme a la Clase de Seguridad II.

DECLARACION DE CONFORMIDAD CE

Declaramos bajo nuestra responsabilidad que el producto descrito bajo "Datos técnicos" está en conformidad con todas las normas relevantes de la directiva 2011/65/EU (RoHS), 2004/108/CE, 2006/42/CE y con las siguientes normas o documentos normalizados:

EN 60745-1:2009

EN 60745-2-3:2011

EN 55014-1:2006 + A1:2009 + A2:2011

EN 55014-2:1997 + A1:2001 + A2:2008

EN 61000-3-2:2006 + A1:2009 + A2:2009

EN 61000-3-3:2008



Winnenden, 2013-05-07

Alexander Krug / Managing Director
Autorizado para la redacción de los documentos técnicos.

Techtronic Industries GmbH
Max-Eyth-Straße 10, 71364 Winnenden, Germany

MANTENIMIENTO

Las ranuras de ventilación de la máquina deben estar despejadas en todo momento.

Evite que cualquier pieza metálica alcance las ranuras de ventilación ¡peligro de cortocircuito!

Utilice solamente accesorios y repuestos Milwaukee. En caso de necesitar reemplazar componentes no descritos, contacte con cualquiera de nuestras estaciones de servicio Milwaukee (consultar lista de servicio técnicos)

Puede solicitar, en caso necesario, una vista despiezada del aparato bajo indicación del tipo de máquina y el número de seis dígitos en la placa indicadora de potencia en su Servicio de Postventa o directamente en Techtronic Industries GmbH, Max-Eyth-Straße 10, 71364 Winnenden, Germany.

ELECTRÓNICA

AGV 12-125 X, AGV 12-125 PD

Arranque suave electrónico, para una segura manejabilidad, evita un brusco retroceso al conectar la máquina.

El interruptor de tensión nula evita que la máquina arranque de nuevo después de una corte de corriente. Para volver a reanudar el trabajo desconectar la máquina y volver a conectarla.

El equipo dispone de una función protectora contra overload y anti-kickback y se detiene en caso de la correspondiente sobrecarga. Rogamos observar que la máquina vuelve a aumentar de forma automática la potencia a la velocidad de trabajo originaria en el momento de suprimirse la carga. El equipo está dispuesto nuevamente para su empleo en el momento de alcanzar la velocidad de trabajo.

SÍMBOLOS



Lea las instrucciones detenidamente antes de conectar la herramienta



¡ATENCIÓN! ¡ADVERTENCIA! ¡PELIGRO!



Para trabajar con la máquina, utilizar siempre gafas de protección.



Desconecte siempre el enchufe antes de llevar a cabo cualquier trabajo en la máquina.



Accesorio - No incluido en el equipo estándar, disponible en la gama de accesorios.



¡No deseche los aparatos eléctricos junto con los residuos domésticos! De conformidad con la Directiva Europea 2002/96/CE sobre residuos de aparatos eléctricos y electrónicos y su aplicación de acuerdo con la legislación nacional, las herramientas eléctricas cuya vida útil haya llegado a su fin se deberán recoger por separado y trasladar a una planta de reciclaje que cumpla con las exigencias ecológicas.



Clase de protección II, herramientas eléctricas, en las cuales la protección contra descargas eléctricas no sólo depende del aislamiento básico, sino en las cuales se adoptan medidas de protección adicionales como un doble aislamiento o un aislamiento reforzado.

CARACTERÍSTICAS TÉCNICAS Rebarbadora Angular	AG 12-115 X (220-240 V)	AG 12-115 X (110-120 V)	AG 12-125 X (220-240 V)
Número de produção	4281 36 01... 4280 51 01... 4280 61 01... ... 000001-999999	4281 41 01... 4280 66 01... ... 000001-999999	4280 78 01... ... 000001-999999
Potência absorvida nominal	1200 W	1200 W	1200 W
Número de rotações nominal	11000 min ⁻¹	11000 min ⁻¹	11000 min ⁻¹
Diâmetro do disco	115 mm	115 mm	125 mm
Espessura do rebolo de lixa	6 mm (1/4")	6 mm (1/4")	6 mm (1/4")
Rosca do veio de trabalho	M 14	M 14	M 14
Peso nos termos do procedimento-EPTA 01/2003	2,3 kg	2,3 kg	2,3 kg
Informações sobre ruído/vibração Valores de medida de acordo com EN 60 745. O nível de ruído avaliado A do aparelho é tipicamente: Nível da pressão de ruído (K=3dB(A)) Nível da potência de ruído (K=3dB(A)) Use protectores auriculares!	89,0 dB(A) 100,0 dB(A)	89,5 dB(A) 100,5 dB(A)	89,0 dB(A) 100,0 dB(A)
Valores totais de vibração (soma dos vectores das três direcções) determinadas conforme EN 60745. Rectificação superficial: Valor de emissão de vibração a _h Incerteza K= Rectificar com disco abrasivo: Valor de emissão de vibração a _h Incerteza K=	7,8 m/s ² 1,5 m/s ² 3,6 m/s ² 1,5 m/s ²	6,8 m/s ² 1,5 m/s ² 4,5 m/s ² 1,5 m/s ²	7,8 m/s ² 1,5 m/s ² 3,6 m/s ² 1,5 m/s ²



Por

CARACTERÍSTICAS TÉCNICAS Rebarbadora Angular	AGV 12-125 X (220-240 V)	AGV 12-125 X PD (220-240 V)
Número de produção	4280 86 01... ... 000001-999999	4332 41 01... ... 000001-999999
Potência absorvida nominal	1200 W	1200 W
Número de rotações nominal	11000 min ⁻¹	11000 min ⁻¹
Diâmetro do disco	125 mm	125 mm
Espessura do rebolo de lixa	6 mm (1/4")	6 mm (1/4")
Rosca do veio de trabalho	M 14	M 14
Peso nos termos do procedimento-EPTA 01/2003	2,4 kg	2,4 kg
Informações sobre ruído/vibração Valores de medida de acordo com EN 60 745. O nível de ruído avaliado A do aparelho é tipicamente: Nível da pressão de ruído (K=3dB(A)) Nível da potência de ruído (K=3dB(A)) Use protectores auriculares!	89,0 dB(A) 100,0 dB(A)	89,0 dB(A) 100,0 dB(A)
Valores totais de vibração (soma dos vectores das três direcções) determinadas conforme EN 60745. Rectificação superficial: Valor de emissão de vibração a _h Incerteza K= Rectificar com disco abrasivo: Valor de emissão de vibração a _h Incerteza K=	7,8 m/s ² 1,5 m/s ² 3,6 m/s ² 1,5 m/s ²	7,8 m/s ² 1,5 m/s ² 3,6 m/s ² 1,5 m/s ²

ATENÇÃO

O nível vibratório indicado nestas instruções foi medido em conformidade com um procedimento de medição normalizado na EN 60745 e pode ser utilizado para comparar entre si ferramentas eléctricas. O mesmo é também adequado para avaliar provisoriamente o esforço vibratório.

O nível vibratório indicado representa as principais aplicações da ferramenta eléctrica. Se, no entanto, a ferramenta eléctrica for utilizada para outras aplicações, com outras ferramentas adaptadas ou uma manutenção insuficiente, o nível vibratório poderá divergir. Isto pode aumentar consideravelmente o esforço vibratório ao longo de todo o período do trabalho.

Para uma avaliação exacta do esforço vibratório devem também ser considerados os tempos durante os quais o aparelho está desligado ou está a funcionar, mas não está efectivamente a ser utilizado. Isto pode reduzir consideravelmente o esforço vibratório ao longo de todo o período do trabalho.

Defina medidas de segurança suplementares para proteger o operador do efeito das vibrações, como por exemplo: manutenção da ferramenta eléctrica e das ferramentas adaptadas, manter as mãos quentes, organização das seqüências de trabalho.

Português

⚠️ ATENÇÃO! Leia todas as instruções de segurança e todas as instruções, também aquelas que constam na brochura junta. O desrespeito das advertências e instruções apresentadas abaixo pode causar choque eléctrico, incêndio e/ou graves lesões. Guarde bem todas as advertências e instruções para futura referência.

INSTRUÇÕES DE SEGURANÇA

Indicações de aviso gerais para lixar, lixar com lixa de papel, trabalhar com escovas de arame, polir e separar por rectificação:

a) Esta ferramenta eléctrica pode ser utilizada como lixadeira, lixadeira com lixa de papel e máquina para separar por rectificação. . Observar todas as indicações de aviso, instruções, apresentações e dados fornecidos com a ferramenta eléctrica. O desrespeito das seguintes instruções pode levar a um choque eléctrico, incêndio e/ou graves lesões.

b) Esta ferramenta eléctrica não é adequada para para polir. Utilizações, para as quais a máquina não tenha sido prevista, podem causar perigos e ferimentos.

c) Não utilizar acessórios, que não foram especialmente previstos e recomendados pelo fabricante para serem utilizados com esta ferramenta eléctrica. O facto de poder fixar o acessório a esta ferramenta eléctrica, não garante uma aplicação segura.

d) As rotações admissíveis da ferramenta de trabalho devem ser pelo menos tão elevadas como as rotações máximas indicadas na ferramenta eléctrica. Os acessórios que rodam mais rapidamente do que o permitido podem partir-se e ser projectados.

e) O diâmetro exterior e a espessura da ferramenta de trabalho devem corresponder às indicações de medida da sua ferramenta eléctrica. Ferramentas de trabalho incorrectamente medidas podem não ser suficientemente blindadas nem controladas.

f) Discos abrasivos, flanges, pratos abrasivos ou outros acessórios devem caber exactamente no veio de rectificação da sua ferramenta eléctrica. Ferramentas de trabalho, que não cabem exactamente no veio de rectificação da ferramenta eléctrica, giram irregularmente, vibram fortemente e podem levar à perda de controlo.

g) Não utilizar ferramentas de trabalho danificadas. Antes de cada utilização deverá controlar as ferramentas de trabalho, e verificar se por exemplo os discos abrasivos apresentam fissuras e estilhaços, se pratos abrasivos apresentam fissuras, se há desgaste ou forte atrição, se as escovas de arame apresentam arames soltos ou quebrados. Se a ferramenta eléctrica ou a ferramenta de trabalho caírem, deverá verificar se sofreram danos, ou trocar por uma ferramenta de trabalho intacta. Após ter controlado e introduzido a ferramenta de trabalho, deverá manter-se, e as pessoas que se encontrem nas proximidades, fora do nível de rotação da ferramenta de trabalho e permitir que a ferramenta eléctrica funcione durante um minuto com o máximo número de rotação. A maioria das ferramentas de trabalho danificadas quebram durante este período de teste.

h) Utilizar um equipamento de protecção pessoal. De acordo com a aplicação, deverá utilizar uma protecção para todo o rosto, protecção para os olhos ou um óculos protector. Se for necessário, deverá utilizar uma máscara contra pó, protecção auricular, luvas de protecção ou um avental especial, para proteger-se de pequenas partículas de amoladura e de material. Os olhos devem ser protegidos contra partículas a voar, produzidas durante as diversas aplicações. A máscara contra pó ou a

máscara de respiração deve ser capaz de filtrar o pó produzido durante a respectiva aplicação. Se for sujeito durante longo tempo a fortes ruídos, poderá sofrer a perda da capacidade auditiva.

i) Observe que as outras pessoas mantenham uma distância segura em relação ao seu local de trabalho. Cada pessoa que entrar na área de trabalho, deverá usar um equipamento de protecção pessoal. Estilhaços da peça a ser trabalhada ou ferramentas de trabalho quebradas podem voar e causar lesões fora da área imediata de trabalho.

j) Ao executar trabalhos durante os quais possam ser atingidos cabos eléctricos ou o próprio cabo de rede, deverá sempre segurar a ferramenta eléctrica pelas superfícies isoladas do punho. O contacto da ferramenta de corte com uma linha sob tensão também pode colocar peças metálicas do aparelho sob tensão e levar a um choque eléctrico.

k) Manter o cabo de rede afastado de ferramentas de trabalho em rotação. Se perder o controlo sobre a ferramenta eléctrica, é possível que o cabo de rede seja cortado ou enganchado e a sua mão ou braço sejam puxados contra a ferramenta de trabalho em rotação.

l) Jamais depositar a ferramenta eléctrica, antes que a ferramenta de trabalho esteja completamente parada. A ferramenta de trabalho em rotação pode entrar em contacto com a superfície de apoio, provocando uma perda de controlo da ferramenta eléctrica.

m) Não permitir que a ferramenta eléctrica funcione enquanto estiver a transportá-la. A sua roupa pode ser agarrada devido a um contacto accidental com a ferramenta de trabalho em rotação, de modo que a ferramenta de trabalho possa ferir o seu corpo.

n) Limpar regularmente as aberturas de ventilação da sua ferramenta eléctrica. A ventoinha do motor puxa pó para dentro da carcaça, e uma grande quantidade de pó de metal pode causar perigos eléctricos.

o) Não utilizar a ferramenta eléctrica perto de materiais inflamáveis. Faiscas podem incendiar estes materiais.

p) Não utilizar ferramentas de trabalho que necessitem agentes de refrigeração líquidos. A utilização de água ou de outros agentes de refrigeração líquidos pode provocar um choque eléctrico.

Contra-golpe e respectivas advertências

ContraGolpe é uma repentina reacção devido a uma ferramenta de trabalho travada ou bloqueada, como por exemplo um disco abrasivo, um prato abrasivo, uma escova de arame etc. Um travamento ou um bloqueio levam a uma parada abrupta da ferramenta de trabalho em rotação. Desta maneira, uma ferramenta eléctrica descontrolada pode ser acelerada no local de bloqueio, sendo forçada no sentido contrário da rotação da ferramenta de trabalho.

Se por exemplo um disco abrasivo travar ou bloquear numa peça a ser trabalhada, o canto do disco abrasivo pode mergulhar na peça a ser trabalhada e encravar-se, quebrando o disco abrasivo ou causando um contra-golpe. O disco abrasivo se movimentar então no sentido do operador ou para longe deste, dependendo do sentido de rotação do disco no local do bloqueio. Sob estas condições os discos abrasivos também podem partir-se.

Um contra-golpe é a consequência de uma utilização incorrecta ou indevida da ferramenta eléctrica. Ele pode ser evitado por apropriadas medidas de precaução como descrito a seguir.

a) Segurar firmemente a ferramenta eléctrica e posicionar o seu corpo e os braços de modo que possa resistir às forças de um contra-golpe. Sempre utilizar o punho adicional, se existente, para assegurar o máximo controlo possível sobre as forças de um contra-golpe ou sobre momentos de reacção durante o arranque. O operador pode controlar as forças de contra-golpe e as forças de reacção através de medidas de precaução



Por

apropriadas.

b) Jamais permita que as suas mãos se encontrem perto de ferramentas de trabalho em rotação. No caso de um contra-golpe a ferramenta de trabalho poderá passar pela sua mão.

c) Evite que o seu corpo se encontre na área, na qual a ferramenta eléctrica possa ser movimentada no caso de um contra-golpe. O contra-golpe força a ferramenta eléctrica no sentido contrário ao movimento do disco abrasivo no local do bloqueio.

d) Trabalhar com especial cuidado na área ao redor de esquinas, cantos afiados etc. Evite que ferramentas de trabalho sejam ricocheteadas e travadas pela peça a ser trabalhada. A ferramenta de trabalho em rotação tende a travar em esquinas, em cantos afiados ou se for ricocheteada. Isto causa uma perda de controlo ou um contra-golpe.

e) Não utilize lâminas de corrente ou lâminas de serra dentadas. Estas ferramentas de trabalho provocam frequentemente uma repercussão ou a perda do controlo sobre a ferramenta eléctrica.

Instruções especiais de segurança específicas para lixar e separar por rectificação

a) Utilizar exclusivamente os corpos abrasivos homologados para a sua ferramenta eléctrica e a capa de protecção prevista para estes corpos abrasivos. Corpos abrasivos não previstos para a ferramenta eléctrica, não podem ser suficientemente protegidos e portanto não são seguros.

b) Discos abrasivos dobrados devem ser montados, de forma que a sua superfície abrasiva não sobressaia além do nível da margem da tampa de protecção. Não é possível blindar suficientemente um disco abrasivo montado incorrectamente, que sobressaia além do nível da margem da tampa de protecção.

c) Sempre utilizar a capa de protecção, prevista para o tipo de corpo abrasivo utilizado. A capa de protecção deve ser firmemente aplicada na ferramenta eléctrica e fixa, de modo que seja alcançado um máximo de segurança, ou seja, que apenas uma mínima parte do corpo abrasivo aponte abertamente na direcção do operador. A capa de protecção deve proteger o operador contra estilhaços e contra um contacto accidental com o corpo abrasivo.

d) Os corpos abrasivos só devem ser utilizados para as aplicações recomendadas. P. ex.: Jamais lixar com a superfície lateral de um disco de corte. Disco de corte são destinados para o desbaste de material com o canto do disco. Uma força lateral sobre estes corpos abrasivos pode quebrá-los.

e) Sempre utilizar flanges de aperto intactos de tamanho e forma correctos para o disco abrasivo seleccionado. Flanges apropriados apoiam o disco abrasivo e reduzem assim o perigo de uma ruptura do disco abrasivo. Flanges para discos de corte podem diferenciar-se de flanges para outros discos abrasivos.

f) Não utilizar discos abrasivos gastos de outras ferramentas eléctricas maiores. Discos abrasivos para ferramentas eléctricas maiores não são apropriados para os números de rotação mais altos de ferramentas eléctricas menores e podem quebrar.

Outras advertências especiais de segurança para separar por rectificação

a) Evitar um bloqueio do disco de corte ou uma força de pressão demasiado alta. Não efectuar cortes extremamente profundos. Uma sobrecarga do disco de corte aumenta o desgaste e a predisposição para emperrar e bloquear e portanto a possibilidade de um contra-golpe ou uma ruptura do corpo abrasivo.

b) Evitar a área que se encontra na frente ou atrás do disco de corte em rotação. Se o disco de corte for conduzido na peça a ser trabalhada, para frente, afastando-se do corpo, é possível que no caso de

um contra-golpe a ferramenta eléctrica, junto com o disco em rotação, seja atirada directamente na direcção da pessoa a operar o aparelho.

c) Se o disco de corte emperrar ou se o trabalho for interrompido, deverá desligar a ferramenta eléctrica e mantê-la parada, até o disco parar completamente. Jamais tentar puxar o disco de corte para fora do corte enquanto ainda estiver em rotação, caso contrário poderá ser provocado um contra-golpe. Verificar e eliminar a causa do emperramento.

d) Não ligar novamente a ferramenta eléctrica, enquanto ainda estiver na peça a ser trabalhada. Permita que o disco de corte alcance o seu completo número de rotação, antes de continuar cuidadosamente a cortar. Caso contrário é possível que o disco emperre, pule para fora da peça a ser trabalhada ou cause um contra-golpe.

e) Apoiar placas ou peças grandes, para reduzir um risco de contra-golpe devido a um disco de corte emperrado.

Peças grandes podem curvar-se devido ao próprio peso. A peça a ser trabalhada deve ser apoiada de ambos os lados, tanto nas proximidades do corte como também nos cantos.

f) Tenha o cuidado ao efectuar “Cortes de bolso” em paredes existentes ou em outras superfícies, onde não é possível reconhecer o que há por detrás. O disco de corte pode causar um contra-golpe se cortar acidentalmente tubulações de gás ou de água, cabos eléctricos ou outros objectos.

Advertências especiais de segurança específicas para lixar com lixa de papel

a) Não utilizar lixas de papel demasiado grandes, mas sempre seguir as indicações do fabricante sobre o tamanho correcto das lixas de papel. Lixas de papel, que sobressaem dos cantos do prato abrasivo, podem causar lesões, assim como bloquear e rasgar as lixas de papel ou levar a um contra-golpe.

Advertências especiais de segurança específicas para trabalhar com escovas de arame

a) Observe que a escova de arame também perde cerdas durante a utilização normal. Não aplique uma força de pressão muito forte nos arames. Cerdas ejectadas podem penetrar facilmente em roupa leve e/ou na pele.

b) Se for recomendável uma capa de protecção, deverá evitar que a escova de arame entre em contacto com a capa de protecção. O diâmetro das escovas em forma de prato ou de tacho pode aumentar devido à força de pressão e às forças centrífugas.

Aparelhos não estacionários, utilizados ao ar livre, devem ser protegidos por um disjuntor de corrente de defeito (FI, RCD, PRCD).

Não remover aparas ou lascas enquanto a máquina trabalha.

Ao ligar à rede, a máquina deve estar desligada.

Não introduza as mãos na área perigosa, estando a máquina em funcionamento.

Utilizar sempre o punho lateral.

Durante o trabalho com discos de desbastar e de corte deve ser utilizada a placa de protecção.

Desligar imediatamente o aparelho, se ocorrerem grandes oscilações ou se forem observadas outras avarias. Controlar a máquina para determinar a causa.

Sempre utilizar e guardar os discos abrasivos, de acordo com as indicações do fabricante.

Ao lixar metais, voam faíscas. Observe que ninguém seja posto em perigo. Devido ao perigo de incêndio não devem encontrar-se materiais inflamáveis nas proximidades (área de voo de faíscas). Não utilize sistema de extracção de poeiras.



Por

Tome atenção que nem as faíscas nem as poeiras da lixagem geradas na peça de trabalho devem entrar em contacto consigo.

Quando estiver a desmontar pedra deve usar a guia.

A porca de ajuste deve ser apertada antes de iniciar o trabalho com a máquina.

A peça a ser trabalhada deve ser fixa, caso não esteja firme devido ao seu peso próprio. Jamais conduzir a peça a ser trabalhada em direcção do disco com as mãos.

Em caso de condições extremas de utilização (por ex., ao polir metais com o prato de apoio e rebolos de fibra vulcanizada pode formar-se uma forte sujidade no interior da lixadora de detalhes. Por motivos de segurança, quando tais condições de utilização se verificarem, é necessário limpar o interior de deposições metálicas e ligar em série um disjuntor de corrente de falha (FI). Depois da reacção do disjuntor-FI, a máquina tem de ser enviada para reparação.

Para as ferramentas a serem montadas com a roda de orifício roscado, certifique-se de que a rosca na roda é suficientemente longa para receber o fuso em todo o seu comprimento.

Para trabalhos de corte deve utilizar-se uma cobertura de protecção fechada, disponível no programa de acessórios.




Por

LIGAÇÃO À REDE

A afixação angular pode ser utilizada para a rectificação de corte de desbaste de diversos materiais, como por ex. metal ou pedra, bem como para o desbaste com discos de desbaste em plástico e para trabalhos com a escova de fio de aço. Em caso de dúvida, observe as indicações do fabricante dos acessórios.

Não use este produto de outra maneira sem ser a normal para a qual foi concebido.

DECLARAÇÃO DE CONFORMIDADE CE

 Só conectar à corrente alternada monofásica e só à tensão de rede indicada na placa de potência. A conexão às tomadas de rede sem contacto de segurança também é possível, pois trata-se de uma construção da classe de protecção II.

MANUTENÇÃO

MANUTENÇÃO

Manter desobstruídos os rasgos de ventilação na carcaça da máquina. Não deixe que peças metálicas toquem nas fendas de circulação de ar - perigo de curto-circuitos.

Utilizar apenas acessórios Milwaukee e peças sobresselentes Milwaukee. Os componentes cuja substituição não esteja descrita devem ser substituídos num serviço de assistência técnica Milwaukee (consultar a brochura relativa à garantia/moradas dos serviços de assistência técnica).

Se for necessário, um desenho de explosão do aparelho pode ser solicitado do seu posto de assistência ao cliente ou directamente da Techtronic Industries GmbH, Max-Eyth-Straße 10, 71364 Winnenden, Alemanha, indicando o tipo da máquina e o número de seis posições na chapa indicadora da potência.

ELECTRÓNICA

AGV 12-125 X, AGV 12-125 XPD

Arranque suave electrónico para maneio seguro; evita o arranque brusco da máquina ao ligá-la.

O interruptor de tensão nula evita um reiniciar da máquina depois de uma falha de circuito. Na altura do novo início de trabalho desligar a máquina e ligá-la de novo.

O aparelho dispõe de uma função de protecção contra sobrecarga e anti-retorno e parará quando houver a sobrecarga correspondente. É favor observar que o aparelho acelerará novamente ao n° de rotações de trabalho original, quando a carga for eliminada. Depois de alcançar o n° de rotações de trabalho, o aparelho estará novamente pronto para a operação.

SYMBOLE



Leia atentamente o manual de instruções antes de colocar a máquina em funcionamento.



ATENÇÃO! PERIGO!



Usar sempre óculos de protecção ao trabalhar com a máquina.



Antes de efectuar qualquer intervenção na máquina, tirar a ficha da tomada.



Acessório - Não incluído no equipamento normal, disponível como acessório.



Não deite ferramentas eléctricas no lixo doméstico! De acordo com a directiva europeia 2002/96/CE sobre ferramentas eléctricas electrónicas usadas e a transposição para as leis nacionais, as ferramentas eléctricas usadas devem ser recolhidas em separado e encaminhadas a uma instalação de reciclagem dos materiais ecológica.



Classe de protecção II, ferramenta eléctrica, na qual a protecção contra choque eléctrico não só depende de um isolamento básico, mas na qual medidas de segurança suplementares, como isolamento duplo ou isolamento reforçado, são aplicadas.

EN 60745-1:2009

EN 60745-2-3:2011

EN 55014-1:2006 + A1:2009 + A2:2011

EN 55014-2:1997 + A1:2001 + A2:2008

EN 61000-3-2:2006 + A1:2009 + A2:2009

EN 61000-3-3:2008



Winnenden, 2013-05-07

Alexander Krug / Managing Director
Autorizado a reunir a documentação técnica.

Techtronic Industries GmbH
Max-Eyth-Straße 10, 71364 Winnenden, Germany

Português

TECHNISCHE GEGEVENS Haakse slijpmachine	AG 12-115 X (220-240 V)	AG 12-115 X (110-120 V)	AG 12-125 X (220-240 V)
Productienummer	4281 36 01... 4280 51 01... 4280 61 01... ... 000001-999999	4281 41 01... 4280 66 01... ... 000001-999999	4280 78 01... ... 000001-999999
Nominaal afgegeven vermogen	1200 W	1200 W	1200 W
Nominaal toerental	11000 min ⁻¹	11000 min ⁻¹	11000 min ⁻¹
Slijpschijf-Ø	115 mm	115 mm	125 mm
Slijpschijfdikte	6 mm (1/4")	6 mm (1/4")	6 mm (1/4")
Asaansluiting	M 14	M 14	M 14
Gewicht volgens de EPTA-procedure 01/2003	2,3 kg	2,3 kg	2,3 kg
Geluids-/trillingsinformatie Meetwaarden vastgesteld volgens EN 60 745. Het kenmerkende A-gewogen geluidsniveau van de machine bedraagt: Geluidsdruk niveau (K=3dB(A)) Geluidsvermogen niveau (K=3dB(A)) Draag oorbeschermers!	89,0 dB(A) 100,0 dB(A)	89,5 dB(A) 100,5 dB(A)	89,0 dB(A) 100,0 dB(A)
Totale trillingswaarden (vectorsom van drie richtingebepaald volgens EN 60745).			
Schuren van oppervlakken: Trillingsemisiewaarde a _n Onzekerheid K=	7,8 m/s ² 1,5 m/s ²	6,8 m/s ² 1,5 m/s ²	7,8 m/s ² 1,5 m/s ²
Schuren met schuurblad: Trillingsemisiewaarde a _n Onzekerheid K=	3,6 m/s ² 1,5 m/s ²	4,5 m/s ² 1,5 m/s ²	3,6 m/s ² 1,5 m/s ²



TECHNISCHE GEGEVENS Haakse slijpmachine	AGV 12-125 X (220-240 V)	AGV 12-125 X PD (220-240 V)
Productienummer	4280 86 01... ... 000001-999999	4332 41 01... ... 000001-999999
Nominaal afgegeven vermogen	1200 W	1200 W
Nominaal toerental	11000 min ⁻¹	11000 min ⁻¹
Slijpschijf-Ø	125 mm	125 mm
Slijpschijfdikte	6 mm (1/4")	6 mm (1/4")
Asaansluiting	M 14	M 14
Gewicht volgens de EPTA-procedure 01/2003	2,4 kg	2,4 kg
Geluids-/trillingsinformatie Meetwaarden vastgesteld volgens EN 60 745. Het kenmerkende A-gewogen geluidsniveau van de machine bedraagt: Geluidsdruk niveau (K=3dB(A)) Geluidsvermogen niveau (K=3dB(A)) Draag oorbeschermers!	89,0 dB(A) 100,0 dB(A)	89,0 dB(A) 100,0 dB(A)
Totale trillingswaarden (vectorsom van drie richtingebepaald volgens EN 60745).		
Schuren van oppervlakken: Trillingsemisiewaarde a _n Onzekerheid K=	7,8 m/s ² 1,5 m/s ²	7,8 m/s ² 1,5 m/s ²
Schuren met schuurblad: Trillingsemisiewaarde a _n Onzekerheid K=	3,6 m/s ² 1,5 m/s ²	3,6 m/s ² 1,5 m/s ²

WAARSCHUWING

De in deze aanwijzingen vermelde trillingsdruk is gemeten volgens een in EN 60745 genormeerde meetmethode en kan worden gebruikt voor de onderlinge vergelijking van apparaten. Hij is ook geschikt voor een voorlopige inschatting van de trillingsbelasting.

De aangegeven trillingsdruk geldt voor de meest gebruikelijke toepassingen van het elektrische apparaat. Wanneer het elektrische gereedschap echter voor andere doeleinden, met andere dan de voorgeschreven hulpstukken gebruikt of niet naar behoren onderhouden wordt, kan de trillingsdruk afwijken. Dit kan de waarde van de trillingsdruk over de hele werkperiode aanzienlijk verhogen.

Voor een nauwkeurige inschatting van de trillingsdruk moeten ook de tijden in aanmerking worden genomen dat het apparaat uitgeschakeld is of weliswaar loopt, maar niet werkelijk in gebruik is. Dit kan de waarde van de trillingsdruk over de hele werkperiode aanzienlijk verminderen.

Bepaal extra veiligheidsmaatregelen ter bescherming van de bediener tegen de inwerking van trillingen, bijvoorbeeld: onderhoud van elektrische gereedschappen en apparaten, warmhouden van de handen, organisatie van de werkprocessen.



WAARSCHUWING! Lees alle veiligheidsinstructies en aanwijzingen door - ook die in de bijgeleverde brochure. Als de waarschuwingen en voorschriften niet worden opgevolgd, kan dit een elektrische schok, brand of ernstig letsel tot gevolg hebben. Bewaar alle waarschuwingen en voorschriften voor toekomstig gebruik.

VEILIGHEIDSADVIEZEN

Algemene waarschuwing voor slijpen, schuren, borstelen, polijsten en doorslijpen:

a) Dit elektrische gereedschap is bestemd voor gebruik als slijpmachine, schuurmachine, borstelmaschine en doorslijpmachine.. Neem alle waarschuwingen, aanwijzingen, afbeeldingen en gegevens die u bij het elektrische gereedschap ontvangt in acht. Als u de volgende aanwijzingen niet in acht neemt, kunnen een elektrische schok, brand en/of ernstig letsel het gevolg zijn.

b) Dit elektrische gereedschap is niet geschikt voor het polijsten. Ondoelmatig gebruik van dit elektrische gereedschap kan leiden tot gevaren en persoonlijk letsel.

c) Gebruik uitsluitend toebehoren dat door de fabrikant speciaal voor dit elektrische gereedschap is voorzien en geadviseerd. Het feit dat u het toebehoren aan het elektrische gereedschap kunt bevestigen, waarborgt nog geen veilig gebruik.

d) Het toelaatbare toerental van het inzetgereedschap moet minstens even hoog zijn als het maximale toerental dat op het elektrische gereedschap is aangegeven. Toebehoren dat sneller draait dan toegestaan, kan breken en in het rond vliegen.

e) De buitendiameter en de dikte van het inzetgereedschap moeten overeenkomen met de maatgegevens van het elektrische gereedschap. Inzetgereedschappen met onjuiste afmetingen kunnen niet voldoende afgeschermd of gecontroleerd worden.

f) Slijpschijven, flenzen, steunschijven en ander toebehoren moeten nauwkeurig op de uitgaande as van het elektrische gereedschap passen. Inzetgereedschappen die niet nauwkeurig op de uitgaande as van het elektrische gereedschap passen, draaien ongelijkmatig, trillen sterk en kunnen tot het verlies van de controle leiden.

g) Gebruik geen beschadigde inzetgereedschappen. Controleer voor het gebruik altijd inzetgereedschappen zoals slijpschijven op afsplinteringen en scheuren, steunschijven op scheuren of sterke slijtage en draadborstels op losse of gebroken draden. Als het elektrische gereedschap of het inzetgereedschap valt, dient u te controleren of het beschadigd is, of gebruik een onbeschadigd inzetgereedschap. Als u het inzetgereedschap hebt gecontroleerd en ingezet, laat u het elektrische gereedschap een minuut lang met het maximale toerental lopen. Daarbij dient u en dienen andere personen uit de buurt van het ronddraaiende inzetgereedschap te blijven. Beschadigde inzetgereedschappen breken meestal gedurende deze testtijd.

h) Draag persoonlijke beschermende uitrusting. Gebruik afhankelijk van de toepassing een volledige gezichtsbescherming, oogbescherming of veiligheidsbril. Draag voor zover van toepassing een stofmasker, een gehoorbescherming, werkhandschoenen of een speciaal schort dat kleine slijp- en materiaaldeeltjes tegenhoudt. Uw ogen moeten worden beschermd tegen wegvliegende deeltjes die bij verschillende toepassingen ontstaan. Een stof- of adembeschermingsmasker moet het bij de toepassing ontstaande stof

filteren. Als u lang wordt blootgesteld aan luid lawaai, kan uw gehoor worden beschadigd.

i) Let erop dat andere personen zich op een veilige afstand bevinden van de plaats waar u werkt. Iedereen die de werkomgeving betreedt, moet persoonlijke beschermende uitrusting dragen. Brokstukken van het werkstuk of gebroken inzetgereedschappen kunnen wegvliegen en verwondingen veroorzaken, ook buiten de directe werkomgeving.

j) Houd het elektrische gereedschap alleen vast aan de geïsoleerde greepvlakken als u werkzaamheden uitvoert waarbij het inzetgereedschap verborgen stroomleidingen of de eigen netkabel kan raken. Het contact van het snijgereedschap met een spanningvoerende leiding kan de metalen apparaatdelen onder spanning zetten en zo tot een elektrische schok leiden.

k) Houd de stroomkabel uit de buurt van draaiende inzetgereedschappen. Als u de controle over het elektrische gereedschap verliest, kan de stroomkabel worden doorgesneden of meegenomen en uw hand of arm kan in het ronddraaiende inzetgereedschap terecht komen.

l) Leg het elektrische gereedschap nooit neer voordat het inzetgereedschap volledig tot stilstand is gekomen. Het draaiende inzetgereedschap kan in contact komen met het oppervlak, waardoor u de controle over het elektrische gereedschap kunt verliezen.

m) Laat het elektrische gereedschap niet lopen terwijl u het draagt. Uw kleding kan door toevallig contact met het draaiende inzetgereedschap worden meegenomen en het inzetgereedschap kan zich in uw lichaam boren.

n) Reinig regelmatig de ventilatieopeningen van het elektrische gereedschap. De motorventilator trekt stof in het huis en een sterke ophoping van metaalstof kan elektrische gevaren veroorzaken.

o) Gebruik het elektrische gereedschap niet in de buurt van brandbare materialen. Vonken kunnen deze materialen ontsteken.

p) Gebruik geen inzetgereedschappen waarvoor vloeibare koelmiddelen vereist zijn. Het gebruik van water of andere vloeibare koelmiddelen kan tot een elektrische schok leiden.

Terugslag en bijbehorende waarschuwingen

Terugslag is de plotselinge reactie als gevolg van een vasthakend of geblokkeerd draaiend inzetgereedschap, zoals een slijpschijf, steunschijf, draadborstel, enz. Vasthaken of blokkeren leidt tot abrupte stilstand van het ronddraaiende inzetgereedschap. Daardoor wordt een ongecontroleerd elektrisch gereedschap tegen de draairichting van het inzetgereedschap versneld op de plaats van de blokkering.

Als bijvoorbeeld een slijpschijf in het werkstuk vasthaakt of blokkeert, kan de rand van de slijpschijf die in het werkstuk invalt, zich vastgrijpen. Daardoor kan de slijpschijf uitbreken of een terugslag veroorzaken. De slijpschijf beweegt zich vervolgens naar de bediener toe of van de bediener weg, afhankelijk van de draairichting van de schijf op de plaats van de blokkering. Hierbij kunnen slijpschijven ook breken.

Een terugslag is het gevolg van het verkeerd gebruik of onjuiste gebruiksomstandigheden van het elektrische gereedschap. Terugslag kan worden voorkomen door geschikte voorzorgsmaatregelen, zoals hieronder beschreven.

a) Houd het elektrische gereedschap goed vast en breng uw lichaam en uw armen in een positie waarin u de terugslagkrachten kunt opvangen. Gebruik altijd de extra handgreep, indien aanwezig, om de grootst mogelijke controle te hebben over terugslagkrachten of reactiemomenten bij het op toeren komen. De bediener kan door geschikte voorzorgsmaatregelen de terugslag- en reactiekrachten beheersen.

b) Breng uw hand nooit in de buurt van draaiende inzetgereedschappen. Het inzetgereedschap kan bij de terugslag over uw hand bewegen.

c) Mijd met uw lichaam het gebied waarheen het elektrische gereedschap bij een terugslag wordt bewogen. De terugslag drijft het elektrische gereedschap in de richting die tegengesteld is aan de beweging van de slijpschijf op de plaats van de blokkering.

d) Werk bijzonder voorzichtig in de buurt van hoeken, scherpe randen, enz. Voorkom dat inzetgereedschappen van het werkstuk terugspringen en vastklemmen. Het ronddraaiende inzetgereedschap neigt er bij hoeken, scherpe randen of wanneer het terugspringt toe om zich vast te klemmen. Dit veroorzaakt een controleverlies of terugslag.

e) Gebruik geen ketting- of getand zaagblad. Dergelijke inzetstukken veroorzaken vaak een terugslag of verlies van controle over het elektrische gereedschap.

Bijzondere waarschuwingen voor slijp- en doorslijpwerkzaamheden

a) Gebruik uitsluitend het voor het elektrische gereedschap toegestane slijptoebehoren en de voor dit slijptoebehoren voorziene beschermkap. Slijptoebehoren dat niet voor het elektrische gereedschap is voorzien, kan niet voldoende worden afgeschermd en is niet veilig.

b) Gebogen slijpschijven moeten zodanig worden gemonteerd dat het schuuroppervlak niet boven de rand van de veiligheidskap uitsteekt. Een ondeskundig gemonteerde slijpschijf die boven de rand van de veiligheidskap uitsteekt kan niet afdoende worden afgeschermd.

c) Gebruik altijd de beschermkap die voor het gebruikte soort slijpgereedschap is voorzien. De beschermkap moet stevig op het elektrische gereedschap zijn aangebracht en zodanig zijn ingesteld dat een maximum aan veiligheid wordt bereikt. Dat wil zeggen dat het kleinst mogelijke deel van het slijpgereedschap open naar de bediener wijst. De beschermkap moet de bediener beschermen tegen brokstukken en toevallig contact met het slijpgereedschap.

d) Slijptoebehoren mag alleen worden gebruikt voor de geadviseerde toepassingsmogelijkheden. Bijvoorbeeld: slijp nooit met het zijvlak van een doorslijpschijven. Doorslijpschijven zijn bestemd voor materiaalafname met de rand van de schijf. Een zijwaartse krachtinwerking op dit slijptoebehoren kan het toebehoren breken.

e) Gebruik altijd onbeschadigde spanflenzen in de juiste maat en vorm voor de door u gekozen slijpschijf. Geschikte flenzen steunen de slijpschijf en verminderen zo het gevaar van een slijpschijfbreuk. Flenzen voor doorslijpschijven kunnen verschillen van de flenzen voor andere slijpschijven.

f) Gebruik geen versleten slijpschijven van grotere elektrische gereedschappen. Slijpschijven voor grotere elektrische gereedschappen zijn niet geconstrueerd voor de hogere toerentallen van kleinere elektrische gereedschappen en kunnen breken.

Overige bijzondere waarschuwingen voor doorslijpwerkzaamheden

a) Voorkom blokkeren van de doorslijpschijf en te hoge aandrukkracht. Slijp niet overmatig diep. Een overbelasting van de doorslijpschijf vergroot de slijtage en de gevoeligheid voor kantelen of blokkeren en daardoor de mogelijkheid van een terugslag of breuk van het slijptoebehoren.

b) Mijd de omgeving voor en achter de ronddraaiende doorslijpschijf. Als u de doorslijpschijf in het werkstuk van u

weg beweegt, kan in het geval van een terugslag het elektrische gereedschap met de draaiende schijf rechtstreeks naar u toe worden geslingerd.

c) Als de doorslijpschijf vastklemt of als u de werkzaamheden onderbreekt, schakelt u het elektrische gereedschap uit en houdt u het rustig tot de schijf tot stilstand is gekomen. Probeer nooit om de nog draaiende doorslijpschijf uit de greep te trekken. Anders kan een terugslag het gevolg zijn. Stel de oorzaak van het vastklemmen vast en maak deze ongedaan.

d) Schakel het elektrische gereedschap niet opnieuw in zolang het zich in het werkstuk bevindt. Laat de doorslijpschijf eerst het volledige toerental bereiken voordat u het doorslijpen voorzichtig voortzet. Anders kan de schijf vasthaken, uit het werkstuk springen of een terugslag veroorzaken.

e) Ondersteun platen of grote werkstukken om het risico van een terugslag door een ingeklemde doorslijpschijf te verminderen. Grote werkstukken kunnen onder hun eigen gewicht doorbuigen. Het werkstuk moet aan beide zijden worden ondersteund, vlakbij de slijpgroef en aan de rand.

f) Wees bijzonder voorzichtig bij invallend frezen in bestaande muren of andere plaatsen zonder voldoende zicht. De invallende doorslijpschijf kan bij het doorslijpen van gas- of waterleidingen, elektrische leidingen of andere objecten een terugslag veroorzaken.

Bijzondere waarschuwingen voor schuurwerkzaamheden

a) Gebruik geen schuurbladen met te grote afmetingen, maar houd u aan de voorschriften van de fabrikant voor de maten van schuurbladen. Schuurbladen die over de rand van de steunschijf uitsteken, kunnen verwondingen veroorzaken en kunnen tot blokkeren, scheuren van de schuurbladen of terugslag leiden.

Bijzondere waarschuwingen voor werkzaamheden met draadborstels

a) Let op dat de draadborstel ook tijdens het normale gebruik draadstukken verliest. Overbelast de draden niet door een te hoge aanpersdruk. Wegvliegende draadstukken kunnen probleemloos door dunne kleding en/of de huid dringen.

b) Als het gebruik van een beschermkap wordt geadviseerd, dient u te voorkomen dat beschermkap en draadborstel elkaar kunnen raken. Vlakstaal- en komstaalborstels kunnen door aandrukkracht en centrifugaalkrachten hun diameter vergroten.

Verplaatsbaar gereedschap moet bij het gebruik buiten aan een aardlekschakelaar (FI,RCD,PRCD) aangesloten worden.

Spanen of splinters mogen bij draaiende machine niet worden verwijderd.

Machine alleen uitgeschakeld aan het net aansluiten.

Niet aan de draaiende delen komen.

Altijd de zijhandgreep gebruiken.

Bij schuren en doorslijpen altijd met de beschermkap werken.

Machine onmiddellijk controleren als sterke trillingen optreden of andere gebreken worden vastgesteld. Controleer de machine om de oorzaak vast te stellen.

Slijpschijven altijd volgens de voorschriften van de fabrikant gebruiken en bewaren.

Bij het schuren van metalen ontstaan vonken. Er op letten dat er geen personen in gevaar worden gebracht. In verband met het brandgevaar mogen zich geen brandbare materialen in de buurt (gebied waar de vonken valle bevinden). Geen stofafzuiging gebruiken. Machine altijd zo vasthouden dat vonken of slijpstof van het lichaam zijn af gericht.



Voor het doorslijpen van steen is de geleideslede voorschrift.

De flensmoer moet vóór de ingebruikname van de machine aangeetrokken zijn.

Het te bewerken werkstuk moet vast worden ingespannen als het niet door het eigen gewicht stabiel ligt. Nooit het werkstuk met de hand tegen de schijf houden.

Bij extreme gebruiksvaarden (bijv. gladlijpen van metaal met de steun en de vulkaanfiber-slijpschijvekan in het inwendige van de haakse slijper ernstige verontreiniging ontstaan. Bij dergelijke werkzaamheden is om veiligheidsredenen een grondige reiniging van de binnenzijde (verwijdering van metaalslijpsen tevens de voorschakeling van een lekstroomschakelaar (Fvereist. Na het aanspreken van de lekstroomschakelaar moet de machine ter reparatie worden opgestuurd.

Bij gebruik van gereedschappen die bedoeld zijn voor wielen met schroefgaten, dient men te controleren dat de schroefdraad in het wiel lang

Voor doorslijpwerkzaamheden gesloten beschermkap uit het toebehorenprogramma gebruiken.

VOORGESCHREVEN GEBRUIK VAN HET SYSTEEM

De haakse slijpmachine is geschikt voor het doorslijpen envoorbewerken van allerlei materialen, bijvoorbeeld metaal ofsteen, voor het slijpen met een kunststof slijpschijf en voor hetwerken met een staalborstel. Neem in twijfelgevallen deaanwijzingen van de toebehorenfabrikant in acht.

Dit apparaat uitsluitend gebruiken voor normaal gebruik, zoals aangegeven.

NETAANSLUITING

 Uitsluitend op éénfase-wisselstroom en uitsluitend op de op het typeplaatje aangegeven netspanning aansluiten. Aansluiting is ook mogelijk op een stekerdoos zonder aardcontact mogelijk, omdat het is ontwerpen volgens veiligheidsklasse II.

EC - VERKLARING VAN OVEREENSTEMMING

Wij verklaren in uitsluitende verantwoording dat het onder Technische gegevens' beschreven product overeenstemt met alle relevante voorschriften van de richtlijn 2011/65/EU (RoHS), 2004/108/EG, 2006/42/EG en de volgende geharmoniseerde normatieve documenten:

EN 60745-1:2009

EN 60745-2-3:2011

EN 55014-1:2006 + A1:2009 + A2:2011

EN 55014-2:1997 + A1:2001 + A2:2008

EN 61000-3-2:2006 + A1:2009 + A2:2009

EN 61000-3-3:2008



Winnenden, 2013-05-07

Alexander Krug / Managing Director

Gemachtigd voor samenstelling van de technische documenten

Techtronic Industries GmbH

Max-Eyth-Strasse 10, 71364 Winnenden, Germany

ONDERHOUD

Altijd de luchtspleten van de machine schoonhouden.

Vanwege kortsluitingsgevaar mogen metaaldeeltjes niet in de luchtschachten terechtkomen.

Gebruik uitsluitend Milwaukee toebehoren en onderdelen. Indien componenten die moeten worden vervangen niet zijn beschreven, neem dan contact op met een officieel Milwaukee servicecentrum (zie onze lijst met servicecentra).

Zo nodig kan een explosietekening van het apparaat worden aangevraagd bij uw klantenservice of direct bij Techtronic Industries GmbH, Max-Eyth-Strasse 10, 71364 Winnenden, Duitsland onder vermelding van het machinetype en het zescijferige nummer op het typeplaatje.

ELEKTRONIC

AGV 12-125 X, AGV 12-125 XPD

De elektrische zachte aanloop zorgt voor een veilig vasthouden van de machine wanneer deze wordt ingeschakeld.

Nulspanningsschakelaar voorkomt herstarten van de machine na stroomuitval. Bij hervatten van de werkzaamheden de machine eerst uitschakelen en vervolgens weer aanzetten.

Het apparaat beschikt over een overload- en terugslagbeveiliging en stopt in geval van een dienovereenkomstige overbelasting. Let op dat het apparaat weer zelfstandig naar het oorspronkelijke arbeidstoerental stuurt zodra de belasting wegvalt. Na het bereiken van het arbeidstoerental is het apparaat weer gereed voor gebruik!

SYMBOLEN



Graag instructies zorgvuldig doorlezen vóórdat u de machine in gebruik neemt.



OPGELET! WAARSCHUWING! GEVAAR!



Bij het werken met de machine altijd een veiligheidsbril dragen.



Voor alle werkzaamheden aan de machine de stekker uit de kontaktdoos trekken.



Toebehoren - Wordt niet meegeleverd. Is apart leverbaar. Zie hiervoor het toebehorenprogramma.



Geef elektrisch gereedschap niet met het huisvuil mee! Volgens de Europese richtlijn 2002/96/EG inzake oude elektrische en elektronische apparaten en de toepassing daarvan binnen de nationale wetgeving, dient gebruikt elektrisch gereedschap gescheiden te worden ingezameld en te worden afgevoerd naar een recycle bedrijf dat voldoet aan de geldende milieu-eisen.



Beschermingsklasse II, elektrisch gereedschap waarbij de bescherming tegen elektrische schokken niet afhankelijk is van de basisisolatie, maar waarin extra veiligheidsmaatregelen worden toegepast zoals dubbele of versterkte isolatie.

Nederlands

TEKNISKE DATA Vinkelsliber	AG 12-115 X (220-240 V)	AG 12-115 X (110-120 V)	AG 12-125 X (220-240 V)
Produktionsnummer	4281 36 01... 4280 51 01... 4280 61 01... ... 000001-999999	4281 41 01... 4280 66 01... ... 000001-999999	4280 78 01... ... 000001-999999
Nominel optagen effekt	1200 W	1200 W	1200 W
Nominelt omdrejningstal	11000 min ⁻¹	11000 min ⁻¹	11000 min ⁻¹
Slibeskive-Ø	115 mm	115 mm	125 mm
Slibeskivetykkelse	6 mm (1/4")	6 mm (1/4")	6 mm (1/4")
Spindelgevind	M 14	M 14	M 14
Vægt svarer til EPTA-procedure 01/2003	2,3 kg	2,3 kg	2,3 kg
Støj/Vibrationsinformation Måleværdier beregnes iht. EN 60 745. Værktøjets A-vurderede støjniveau er typisk: Lydtrykniveau (K=3dB(A)) Lydeffekt niveau (K=3dB(A))	89,0 dB(A) 100,0 dB(A)	89,5 dB(A) 100,5 dB(A)	89,0 dB(A) 100,0 dB(A)
Brug høreværn! Samlede vibrationsværdier (værdisum for tre retninger) beregnet iht. EN 60745. Overfladeslibning: Vibrationseksponering a _h Usikkerhed K= Slibning med slibebled: Vibrationseksponering a _h Usikkerhed K=	7,8 m/s ² 1,5 m/s ² 3,6 m/s ² 1,5 m/s ²	6,8 m/s ² 1,5 m/s ² 4,5 m/s ² 1,5 m/s ²	7,8 m/s ² 1,5 m/s ² 3,6 m/s ² 1,5 m/s ²



TEKNISKE DATA Vinkelsliber	AGV 12-125 X (220-240 V)	AGV 12-125 X PD (220-240 V)
Produktionsnummer	4280 86 01... ... 000001-999999	4332 41 01... ... 000001-999999
Nominel optagen effekt	1200 W	1200 W
Nominelt omdrejningstal	11000 min ⁻¹	11000 min ⁻¹
Slibeskive-Ø	125 mm	125 mm
Slibeskivetykkelse	6 mm (1/4")	6 mm (1/4")
Spindelgevind	M 14	M 14
Vægt svarer til EPTA-procedure 01/2003	2,4 kg	2,4 kg
Støj/Vibrationsinformation Måleværdier beregnes iht. EN 60 745. Værktøjets A-vurderede støjniveau er typisk: Lydtrykniveau (K=3dB(A)) Lydeffekt niveau (K=3dB(A))	89,0 dB(A) 100,0 dB(A)	89,0 dB(A) 100,0 dB(A)
Brug høreværn! Samlede vibrationsværdier (værdisum for tre retninger) beregnet iht. EN 60745. Overfladeslibning: Vibrationseksponering a _h Usikkerhed K= Slibning med slibebled: Vibrationseksponering a _h Usikkerhed K=	7,8 m/s ² 1,5 m/s ² 3,6 m/s ² 1,5 m/s ²	7,8 m/s ² 1,5 m/s ² 3,6 m/s ² 1,5 m/s ²

ADVARSEL

Svingningsniveauet, som er angivet i disse anvisninger, er målt i henhold til standardiseret måleprocedure ifølge EN 60745 og kan anvendes til indbyrdes sammenligning mellem el-værktøjer. Svingningsniveauet er ligeledes egnet som foreløbigt skøn over svingningsbelastningen. Det angivne svingningsniveau er baseret på el-værktøjets primære anvendelsesformål. Hvis el-værktøjet benyttes til andre formål, med andet indsatsværktøj eller ikke vedligeholdes tilstrækkeligt, kan svingningsniveauet afvige. Dette kan øge svingningsbelastningen over den samlede arbejdsperiode betydeligt.

For en nøjagtig vurdering af svingningsbelastningen skal der også tages højde for de tidsperioder, hvor apparatet er slukket, eller hvor apparatet kører, men uden at være i anvendelse. Dette kan reducere svingningsbelastningen over den samlede arbejdsperiode betydeligt. Supplerende sikkerhedsforanstaltninger til beskyttelse af brugeren mod påvirkninger fra svingninger skal iværksættes, f.eks.: Vedligeholdelse af el-værktøj og indsatsværktøj, varmholdelse af hænder, organisering af arbejdsprocesser.



ADVARSEL! Læs alle sikkerhedsanvisninger og øvrige vejledninger, også i den vedlagte brochure. I tilfælde af manglende overholdelse af advarselshenvisningerne og instrukserne er der risiko for elektrisk stød, brand og/eller alvorlige kvæstelser. **Opbevar alle advarselshenvisninger og instrukser til senere brug.**

SIKKERHEDSHENVISNINGER

Fælles advarselshenvisninger til slibning, sandpapirslibning, arbejde med trådbørster, polering og skærearbejde:

a) Dette elværktøj kan anvendes som sliber, sandpapirsliber, trådbørste og skæremaskine. Læs og overhold alle advarsler, instruktioner, illustrationer og data, som du modtager i forbindelse med elværktøjet. Overholder du ikke følgende instruktioner, kan du få elektrisk stød, der kan opstå brand og /eller du kan blive kvæstet alvorligt.

b) Dette el-værktøj er ikke egnet til polering. Anvendes el-værktøjet til formål, det ikke er beregnet til, kan der opstå farlige situationer, som kan medføre kvæstelser.

c) Brug kun tilbehør, hvis det er beregnet til dette elværktøj og anbefalet af fabrikanten. En mulig fastgørelse af tilbehøret til elværktøjet sikrer ikke en sikker anvendelse.

d) Den tilladte hastighed for indsatsværktøjet skal mindst være så høj som den maksimale hastighed, der er angivet på elektroværktøjet. Tilbehør, der drejer hurtigere end tilladt, kan brække og de enkelte dele flyve fra hinanden.

e) Indsatsværktøjets udvendige diameter og tykkelse skal svare til målene på dit elværktøj. Forkert målt indsatsværktøj kan ikke afskærmes eller kontrolleres tilstrækkeligt.

f) Slibeskiver, flanger, slibebagskiver eller andet tilbehør skal passe nøjagtigt til slibespindlen på dit elværktøj. Indsatsværktøj, der ikke passer nøjagtigt på elværktøjets slibespindel, drejer ujevnt, vibrerer meget stærkt og kan medføre, at man taber kontrollen.

g) Brug ikke el-værktøjet, hvis det er beskadiget. Kontrollér altid før brug indsatsværktøj som f.eks. slibeskiver for afsplintning og revner, slibebagskiver for revner, slid eller stærkt slid, trådbørster for løse eller brækkede tråde. **Tabes el-værktøjet eller indsatsværktøjet på jorden, skal du kontrollere, om det er beskadiget; anvend evt. et ubeskadiget indsatsværktøj.** Når indsatsværktøjet er kontrolleret og indsat, skal du holde dig selv og personer, der befinder sig i nærheden, uden for det niveau, hvor indsatsværktøjet roterer, og lad el-værktøjet køre i et minut ved højeste hastighed. Beskadiget indsatsværktøj brækker for det meste i denne testtid.

h) Brug personligt beskyttelsesudstyr. Brug helmaske til ansigtet, øjenvern eller beskyttelsesbriller, afhængigt af det udførte arbejde. Brug afhængigt af arbejdets art støvmaske, hørevern, beskyttelsehandsker eller specialforklæde, der beskytter dig mod små slibe- og materialepartikler. Øjenene skal beskyttes mod fremmede genstande, der flyver rundt i luften og som opstår i forbindelse med forskelligt arbejde. Støv- eller åndedrætsmaske skal filtrere det støv, der opstår under arbejdet. Udsættes du for høj støj i længere tid, kan du lide høretab.

i) Sørg for tilstrækkelig afstand til andre personer under arbejdet. Enhver, der betræder arbejdsområdet, skal bruge personligt beskyttelsesudstyr. Brudstykker fra emnet eller brækket indsatsværktøj kan flyve væk og føre til kvæstelser også uden for det direkte arbejdsområde.

j) Hold altid kun elværktøjet i de isolerede grebflader, når du udfører arbejde, hvor indsatsværktøjet kan ramme

bøjede strømledninger eller værktøjets eget kabel. Kommer skæreværktøjet i kontakt med en strømførende ledning, kan maskinens metaldele komme under spænding og give elektrisk stød.

k) Hold netkablet væk fra roterende indsatsværktøj. Taber du kontrollen over elværktøjet, kan netkablet skæres over eller rammes, og din hånd eller din arm kan trækkes ind i det roterende indsatsværktøj.

l) Læg aldrig elværktøjet til side, før indsatsværktøjet står helt stille. Det roterende indsatsværktøj kan komme i kontakt med fralægningsfladen, hvorved du kan tabe kontrollen over elværktøjet.

m) Lad ikke elværktøjet køre, mens det bæres. Dit tøj kan blive fanget ved en tilfældig kontakt med det roterende indsatsværktøj, hvorved indsatsværktøjet kan bore sig ind i din krop.

n) Rengør ventilationsåbningerne på dit el-værktøj med regelmæssige mellemrum. Motorhuset trækker støv ind i huset, og store mængder metalstøv kan være farligt rent elektrisk.

o) Brug ikke el-værktøjet i nærheden af brændbare materialer. Gnister kan sætte ild i materialer.

p) Brug ikke indsatsværktøj, der transporterer flydende kølemiddel. Brug af vand eller andre flydende kølemidler kan føre til elektrisk stød.

Tilbageslag og tilsvarende advarsler

Tilbageslag er en pludselig reaktion, som skyldes, at et roterende indsatsværktøj (slibemaskine, slibebagskive, trådbørste osv.) har sat sig fast eller blokerer. Fastsættelse eller blokering fører til et pludseligt stop af det roterende indsatsværktøj. Derved accelereres et ukontrolleret el-værktøj mod indsatsværktøjets omgivningsretning på blokeringsstedet.

Sidder f.eks. en slibeskive fast eller blokerer i et emne, kan kanten på slibeskiven, der dykker ned i emnet, blive siddende, hvorved slibeskiven brækker af eller fører til et tilbageslag. Slibeskiven bevæger sig så hen imod eller væk fra betjeningspersonen, afhængigt af skivens drejeretning på blokeringsstedet. Derved kan slibeskiver også brække.

Et tilbageslag skyldes forkeert eller fejlbefættet brug af el-værktøjet. Det kan forhindre ved at træffe egnede forsigtighedsforanstaltninger, der beskrives i det følgende.

a) Hold godt fast i el-værktøjet og sørg for at både krop og arme befinder sig i en position, der kan klare tilbageslagskræfterne. Anvend altid ekstrahåndtaget, hvis et sådant findes, for at have så meget kontrol som muligt over tilbageslagskræfterne eller reaktionsmomenterne, når maskinen kører op i hastighed. Betjeningspersonen kan beherske tilbageslags- og reaktionskræfterne med egnede forsigtighedsforanstaltninger.

b) Sørg for at din hånd aldrig kommer i nærheden af det roterende indsatsværktøj. Indsatsværktøjet kan bevæge sig hen over din hånd i forbindelse med et tilbageslag.

c) Undgå at din krop befinder sig i det område, hvor el-værktøjet bevæger sig i forbindelse med et tilbageslag. Tilbageslaget driver elværktøjet i modsat retning af slibeskivens bevægelse på blokeringsstedet.

d) Arbejd særlig forsigtig i områder som f.eks. hjørner, skarpe kanter osv. Forhindre at indsatsværktøjet slår tilbage fra emnet og sætter sig fast. Det roterende indsatsværktøj har tendens til at sætte sig fast, når det anvendes i hjørner, skarpe kanter eller hvis det springer tilbage. Dette medfører, at man taber kontrollen eller tilbageslag.

e) Anvend ikke en kædesavklinge eller en tandet savklinge. Et sådant indsatsværktøj fører ofte til et tilbageslag eller at man mister kontrollen over elektroværktøjet.



Dan

Særlige advarselshenvisninger til slibning og skærearbejde

a) Brug udelukkende slibeskiver/slibestifter, der er godkendt til dit elværktøj, og den beskyttelseskappe, der er beregnet til disse slibeskiver/slibestifter. Slibeskiver/slibestifter, der ikke er beregnet til el-værktøjet, kan ikke beskyttes tilstrækkeligt og er usikre.

b) Forkrøpede slibeskiver skal monteres sådan, at deres slibeflade ikke rager ud over niveauet på beskyttelseskærmens kant. En ukorrekt monteret slibeskive, der rager ud over niveauet på beskyttelseskærmens kant, kan ikke afskærmes tilstrækkeligt.

c) Anvend altid beskyttelseskappen, der er beregnet til den anvendte type slibeskiver/slibestifter. Beskyttelseskappen skal være anbragt sikkert på elværktøjet og være indstillet på en sådan måde, at der nås max. sikkerhed, dvs. at den mindst mulige del af slibeskiven skal pege hen imod betjeningspersonen. Beskyttelseskappen skal beskytte betjeningspersonen mod brudstykker og tilfældig kontakt med slibeskiven/slibestiften.

d) Slibeskiver/slibestifter må kun anvendes til de anbefalede formål. F.eks.: Slib aldrig med sidefladen på en skæreskive. Skæreskiver er bestemt til materialeafslibning med kanten på skiven. Udsættes disse slibeskiver/slibestifter for sidevendt kraftpåvirkning, kan de ødelægges.

e) Anvend altid ubeskadigede spændeflanger i den rigtige størrelse og form, der passer til den valgte slibeskive. Egnede flanger støtter slibeskiven og forringer således faren for brud på slibeskiven. Flanger til skæreskiver kan være forskellige fra flanger for andre slibeskiver.

f) Brug ikke slidte slibeskiver, der passer til større elværktøj. Slibeskiver til større elværktøj kan brække, da de ikke er egnet til de højere omdrejningstal, som småt elværktøj arbejder med.

Yderligere særlige advarselshenvisninger til skærearbejde

a) Undgå at skæreskiven blokerer eller får for højt modtryk. Foretag ikke meget dybe snit. Overbelastes skæreskiven, øges skivens belastning og der er større tendens til, at skiven kan sætte sig i klemme eller blokere, hvilket igen kan føre til tilbageslag eller brud på slibeskiven/slibestiften.

b) Undgå området for og bag ved den roterende skæreskive. Bevæg dig fra skæreskiven i emnet væk fra dig selv, kan elværktøjets roterende skive slynge direkte ind mod dig i tilfælde af et tilbageslag.

c) Sidder skæreskiven i klemme eller afbryder du arbejdet, slukkes elværktøjet og maskinen holdes roligt, til skiven er stoppet. Forsøg aldrig at trække skæreskiven ud af snittet, mens den roterer, da dette kan føre til et tilbageslag. Lokalisér og afhjælp fejlen.

d) Tænd ikke for elværktøjet, så længe det befinder sig i emnet. Sørg for at skæreskiven når op på sit fulde omdrejningstal, før du forsigtigt fortsætter snittet. Ellers kan skiven sætte sig i klemme, springe ud af emnet eller forårsage et tilbageslag.

e) Understøt plader eller store emner for at reducere risikoen for et tilbageslag som følge af en fastklemt skæreskive. Store plader kan bøje sig under deres egen vægt. Emnet skal støttes på begge sider, både i nærheden af skæresnittet og ved kanten.

f) Vær særlig forsigtig ved „lommesnit“ i bestående vægge eller andre områder, hvor man ikke har direkte indblik. Den neddykkende skæreskive kan forårsage et tilbageslag, når der skæres i gas- eller vandledninger, elektriske ledninger eller andre genstande.

Særlige advarselshenvisninger til sandpapirslibning

a) Anvend ikke overdimensioneret slibepapir, men læs og overhold fabrikkens forskrifter mht. slibepapirets størrelse. Slibepapirer, der rager ud over slibebagskiven, kan føre til kvæstelse eller blokering eller iturivning af slibepapirerne eller til tilbageslag.

Særlige advarselshenvisninger i forbindelse med arbejde med trådbørster

a) Bemærk, at trådbørsten mister trådstykker også under almindelig brug. Undgå at overbelaste trådene ved for kraftigt et tryk. Udslyngede trådstykker kan meget let trænge gennem tynd beklædning og/eller huden.

b) Anbefales det at bruge en beskyttelseskappe, skal du forhindre, at beskyttelseskappe og trådbørste kan berøre hinanden. Tallerken- og kopbørster kan øge deres diameter med tryk og centrifugalkraft.

Stikdåser udenørs skal være forsynet med fejlstrømssikringskontakter (FI,RCD,PRCD). Det forlanger installationsforskriften for Deres elektroanlæg. Overhold dette, når De bruger vores maskiner.

Spånere eller splinter må ikke fjernes, medens maskinen kører.

Maskinen slutes kun udkoblet til stikdåsen.

Pas på ikke at få hånden ind i maskinen.

Brug altid støttegrebet.

Anvend altid sikkerhedsskærm ved skrubning og skæring.

Sluk straks for værktøjet, hvis der opstår betydelige svingninger eller der konstateres andre mangler. Kontrollér værktøjet og find frem til årsagen.

Benyt og opbevar kun slibeskiver iht. fabrikkens angivelser.

Gnistregn opstår ved slibning af metal. Vær opmærksom på, at personer ikke kommer til skade. På grund af brandfare må brandbare materialer ikke opbevares i nærheden (gnistregnområde). Brug ikke støvsuger.

Maskinen skal altid håndteres således, at gnister og slibestøv slynge væk fra kroppen.

Til deling af sten er foringslæden foreskrevet.

Flangemetrikken skal spændes inden maskinen tages i brug.

Det arbejdsemne, som skal bearbejdes, fastspændes, medmindre det holdes på plads af arbejdsemnets egenvægt. For aldrig emnet mod skiven med hånden.

Under ekstreme anvendelsesbetingelser (f.eks. glatslibning af metaller med støtteskive og vulkanfiber-slibeskiver) kan det indvendige af vinkelsliberen blive meget snavset. I sådanne tilfælde er det af sikkerhedsgrunde nødvendigt at foretage grundig rengøring af indvendige metalaflejringer, ligesom det er absolut nødvendigt at installere et fejlstrøms- (HFrelæ. Hvis HF-relæet aktiveres, skal maskinen indsendes til reparation.

For værktøj hvorpå der skal monteres hjul med gevindskåret hul, skal De sikre, at vindpind i hjulet er langt nok til at rumme aksellængden.

Til skærearbejder skal benyttes lukket beskyttelseskappe fra tilbehørsprogrammet.


TILTÆNKT FORMÅL

Vinkelsliberen kan anvendes til overskæring og skrubslibning af mange materialer, som f.eks. metal eller sten, samt tilslibning med kunststof-tallerkenslibeskive og til arbejder med ståltrådbørste. Er du i tvivl, så læs vejledningen fra producenten af tilbehøret.

Produktet må ikke anvendes på anden måde og til andre formål end foreskrevet.



NETTILSLUTNING

 Tilslutning må kun foretages til enfaset vekselstrøm og kun til en netspænding, som er i overensstemmelse med angivelsen på mærkepladen. Tilslutning kan også ske til stikkåser uden beskyttelseskontakt, da kapslingsklasse II foreligger.

CE-KONFORMITETSERKLÆRING

Vi erklærer som eneansvarlig, at det under „Tekniske data“ beskrevne produkt stemmer overens med alle relevante forskrifter, der følger af direktiv 2011/65/EU (RoHS), 2004/108/EF, 2006/42/EF samt af følgende harmoniserede normative Dokumenter:

EN 60745-1:2009

EN 60745-2-3:2011

EN 55014-1:2006 + A1:2009 + A2:2011

EN 55014-2:1997 + A1:2001 + A2:2008

EN 61000-3-2:2006 + A1:2009 + A2:2009

EN 61000-3-3:2008



Winnenden, 2013-05-07

Alexander Krug / Managing Director
Autoriseret til at udarbejde de tekniske dokumenter.

Technronic Industries GmbH
Max-Eyth-Straße 10, 71364 Winnenden, Germany

VEDLIGEHOLDELSE

Hold altid maskinens ventilationsåbninger rene.

Metaldele må ikke trænge ind i ventilationsåbningerne, da dette kan føre til kortslutning

Brug kun Milwaukee-tilbehør og Milwaukee-reservedele. Komponenter, hvor udskiftningsproceduren ikke er beskrevet, skal skiftes ud hos et Milwaukee-servicested (se brochure garanti/kundeserviceadresser).

Hvis det er nødvendigt, kan der bestilles en sprængskitse af værktøjet. Angiv herved venligst maskintypen samt det sekscifrede nummer på mærkepladen og bestil tegningen hos din lokale kundeserviceafdeling eller direkte hos Technronic Industries GmbH, Max-Eyth-Straße 10, 71364 Winnenden, Tyskland.

ELEKTRONIK

AGV 12-125 X, AGV 12-125 XPD

Elektronisk blød opstart til sikker håndtering; hindrer ved indkobling en maskinstart i ryk.

En nulspændingsafbryder forhindrer, at maskinen genstarter efter strømudfald. Ved genoptagelsen af arbejdet skal maskinen slukkes og tændes igen.

Maskinen er udstyret med en overload- og anti kickback-beskyttelsesfunktion og stopper i tilfælde af overbelastning. Bemærk, at maskinen kører op på den oprindelige arbejdhastighed igen af sig selv, når belastningen er væk. Når arbejdhastigheden er nået, kan maskinen genoptage arbejdet.

SYMBOLER



Læs brugsanvisningen nøje før ibrugtagning.



VIGTIGT! ADVARSEL! FARE!



Når der arbejdes med maskinen, skal man have beskyttelsesbriller på.



Før ethvert arbejde ved maskinen skal stikket tages ud af stikkåsen.



Tilbehør - Ikke inkluderet i leveringsomfanget, køb købes som tilbehør.



Elværktøj må ikke bortskaffes som almindeligt affald! I henhold til det europæiske direktiv 2002/96/EF og bortskaffelse af elektriske og elektroniske produkter og gældende national lovgivning skal brugt I-værktøj indsamles separat og bortskaffes på en måde, der skåner miljøet mest muligt.



Kapslingsklasse II, el-værktøj, hvor beskyttelsen mod elektrisk stød ikke kun afhænger af basisisoleringen, men hvor beskyttelsesforanstaltninger, såsom dobbelt isolering eller forstærket isolering, tillige finder anvendelse.

TEKNISKE DATA Vinkelsliper	AG 12-115 X (220-240 V)	AG 12-115 X (110-120 V)	AG 12-125 X (220-240 V)
Produksjonsnummer	4281 36 01... 4280 51 01... 4280 61 01... ... 000001-999999	4281 41 01... 4280 66 01... ... 000001-999999	4280 78 01... ... 000001-999999
Nominell inngangseffekt	1200 W	1200 W	1200 W
Nominelt turtall	11000 min ⁻¹	11000 min ⁻¹	11000 min ⁻¹
slipeskive-Ø	115 mm	115 mm	125 mm
Slipeskivetykkelse	6 mm (1/4")	6 mm (1/4")	6 mm (1/4")
Spindelgjenge	M 14	M 14	M 14
Vekt i henhold til EPTA-Prosedyren 01/2003	2,3 kg	2,3 kg	2,3 kg
Støy/Vibrasjonsinformasjon Måleverdier fastslått i samsvar med EN 60 745. Det typiske A-bedømte støynivået for maskinen er: Lydtrykknivå (K=3dB(A)) Lydeffektnivå (K=3dB(A)) Bruk hørselsvern!	89,0 dB(A) 100,0 dB(A)	89,5 dB(A) 100,5 dB(A)	89,0 dB(A) 100,0 dB(A)
Totalt svingningsverdier (vektorsum fra tre retninger) beregnet jf. EN 60745. Overflatesliping: Svingningsemisjonsverdi a _h Usikkerhet K= Sliping med slipeblad: Svingningsemisjonsverdi a _h Usikkerhet K=	7,8 m/s ² 1,5 m/s ² 3,6 m/s ² 1,5 m/s ²	6,8 m/s ² 1,5 m/s ² 4,5 m/s ² 1,5 m/s ²	7,8 m/s ² 1,5 m/s ² 3,6 m/s ² 1,5 m/s ²



TEKNISKE DATA Vinkelsliper	AGV 12-125 X (220-240 V)	AGV 12-125 X PD (220-240 V)
Produksjonsnummer	4280 86 01... ... 000001-999999	4332 41 01... ... 000001-999999
Nominell inngangseffekt	1200 W	1200 W
Nominelt turtall	11000 min ⁻¹	11000 min ⁻¹
slipeskive-Ø	125 mm	125 mm
Slipeskivetykkelse	6 mm (1/4")	6 mm (1/4")
Spindelgjenge	M 14	M 14
Vekt i henhold til EPTA-Prosedyren 01/2003	2,4 kg	2,4 kg
Støy/Vibrasjonsinformasjon Måleverdier fastslått i samsvar med EN 60 745. Det typiske A-bedømte støynivået for maskinen er: Lydtrykknivå (K=3dB(A)) Lydeffektnivå (K=3dB(A)) Bruk hørselsvern!	89,0 dB(A) 100,0 dB(A)	89,0 dB(A) 100,0 dB(A)
Totalt svingningsverdier (vektorsum fra tre retninger) beregnet jf. EN 60745. Overflatesliping: Svingningsemisjonsverdi a _h Usikkerhet K= Sliping med slipeblad: Svingningsemisjonsverdi a _h Usikkerhet K=	7,8 m/s ² 1,5 m/s ² 3,6 m/s ² 1,5 m/s ²	7,8 m/s ² 1,5 m/s ² 3,6 m/s ² 1,5 m/s ²

ADVARSEL

Svingningsnivået som er angitt i denne instruksjonen er målt i overensstemmelse med målemetoden normert i direktiv EN 60745 og kan brukes til å sammenligne elektromaskiner med hverandre. Den egner seg også for en foreløbig vurdering av svingningsbelastningen.

Det angitte svingningsnivået representerer de hovedsaklige bruk av elektroverktøyet. Men anvendes elektroverktøyet for andre bruk med avvikende utskiftbare verktøy eller vedlikeholdet er utilstrekkelig, kan svingningsnivået være avvikende.

Det kan forhøye svingningsbelastning betydelig over hele arbeidsperioden. For en nøyaktig vurdering av svingningsbelastningen må også det tas hensyn til tiden apparatet er avslått eller står på, men ikke er i bruk. Dette kan redusere svingningsbelastningen betydelig over hele arbeidsperioden.

Innfør også ekstra sikkerhetstiltak for å beskytte bruker mot utvirkningen av svingningene. Disse kan f.eks. være: vedlikehold av elektroverktøyet og det utskiftbare verktøyet, holde hendene varme, organisasjon av arbeidsforløpet.

⚠ ADVARSEL! Les alle sikkerhetsinstruksjoner og bruksanvisninger, også de i den vedlagte brosjyren. Feil ved overholdelsen av advarslene og nedenstående anvisninger kan medføre elektriske støt, brann og/eller alvorlige skader.
Ta godt vare på alle advarslene og informasjonene.

SPESIELLE SIKKERHETSHENVISNINGER

Felles advarsler om sliping, sandpapirsliping, arbeid med stålbørster, polering og kapping:

a) Dette elektroverktøyet skal brukes som sliper, sandpapirsliper, stålbørste og kutteliper.. Følg alle advarsler, anvisninger, bilder og data som du får levert sammen med elektroverktøyet. Hvis du ikke følger følgende anvisninger, kan det oppstå elektriske støt, ild og/eller store skader.

b) Dette elektroverktøyet er ikke egnet til polering. Bruk som elektroverktøyet ikke er konstruert for, kan forårsake farer og skader.

c) Ikke bruk tilbehør som ikke er spesielt beregnet og anbefalt av produsenten for dette elektroverktøyet. Selv om du kan feste tilbehøret på elektroverktøyet ditt, garanterer dette ingen sikker bruk.

d) Det tillatte omdreiningstallet til elektroverktøyet må være minst så høyt som det maksimale omdreiningstallet som er oppgitt på elektroverktøyet. Tilbehør som dreier seg raskere enn tillatt kan brenne og slynges rundt.

e) Utvendig diameter og tykkelse på innsatsverktøyet må tilsvare målene for elektroverktøyet. Gale innsatsverktøy kan ikke sikres eller kontrolleres tilstrekkelig.

f) Slipeskiver, flenser, slipetallerkener eller annet tilbehør må passe nøyaktig på slipespindelen til elektroverktøyet. Innsatsverktøy som ikke passer nøyaktig på slipespindelen til elektroverktøyet, roterer uregelmessig, vibrerer svært sterkt og kan føre til at du mister kontrollen.

g) Ikke bruk skadede innsatsverktøy. Sjekk før hver bruk om innsatsverktøy slik som slipeskiver er splintret eller revnet, om slipetallerkener er revnet eller svært slitt, om stålbørster har løse eller har brukkede tråder. Hvis elektroverktøyet eller innsatsverktøyet faller ned, må du kontrollere om det er skadet eller bruk et ikke skadet innsatsverktøy. Når du har kontrollert og satt inn innsatsverktøyet, må du holde personer som oppholder seg i nærheten unna det roterende innsatsverktøyet og la elektroverktøyet gå i ett minutt med maksimalt turtall. Som regel brenner skadede innsatsverktøy i løpet av denne testtiden.

h) Bruk personlig beskyttelsesutstyr. Avhengig av typen bruk må du bruke visir, øyebeskyttelse eller vernebriller. Om nødvendig må du bruke støvmaske, hørselvern, vernehansker eller spesialforle som holder små slipe- og materialpartikler unna kroppen din. Øynene bør beskyttes mot fremmedlegemer som kan fly rundt ved visse typer bruk. Støv- eller pustevernmasker må filtrere den typen støv som oppstår ved denne bruken. Hvis du er utsatt for sterk støv over lengre tid, kan du miste hørselen.

i) Pass på at andre personer holder tilstrekkelig avstand til arbeidsområdet ditt. Alle som går inn i arbeidsområdet må bruke personlig verneutstyr. Brukne deler til verktøyet eller brukne innsatsverktøy kan slynges ut og derfor også forårsake skader utenfor det direkte arbeidsområdet.

j) Ta kun tak i elektroverktøyet på de isolerte gripeflatene, hvis du utfører arbeid der innsatsverktøyet kan treffe på skjulte strømledninger eller den egne strømledningen. Kontakt med en ledning som er under spenning, kan også sette metalldele til apparatet under spenning og føre til et elektrisk slag.

k) Hold strømledningen unna roterende innsatsverktøy. Hvis du mister kontrollen over elektroverktøyet kan strømledningen kappes eller komme inn i verktøyet, og hånden eller armen din kan komme inn i det roterende innsatsverktøyet.

l) Legg aldri elektroverktøyet ned før innsatsverktøyet er stanset helt. Det roterende innsatsverktøyet kan komme i kontakt med overflaten der maskinen legges ned, slik at du kan miste kontrollen over elektroverktøyet.

m) La aldri elektroverktøyet være innkoblet mens du bærer det. Tøyet ditt kan komme inn i det roterende innsatsverktøyet hvis det tilfeldigvis kommer i kontakt med verktøyet og innsatsverktøyet kan da bore seg inn i kroppen din.

n) Rengjør ventilasjonsåpningene til elektroverktøyet med jevne mellomrom. Motorriften trekker støv inn i huset, og en stor oppsamling av metallstøv kan medføre elektrisk fare.

o) Ikke bruk elektroverktøyet i nærheten av brennbare materialer. Gnister kan antenne disse materialene.

p) Bruk ikke innsatsverktøy som krever flytende kjølemidler. Bruk av vann eller andre flytende kjølemidler kan føre til elektriske støt.

Tilbakeslag og tilsvarende advarsler

Tilbakeslag er innsatsverktøyet plutselig reaksjon etter at det har hengt seg opp eller blokkerer. Dette kan gjelde slipeskiven, slipetallerkenen, stålørsten osv.. Opphenging eller blokkering fører til at det roterende innsatsverktøyet stanser helt plutselig. Slik akselereres et ukontrollert elektroverktøy mot innsatsverktøyet dreieretning på blokkeringsstedet.

Hvis f. eks. en slipeskive henger seg opp eller blokkerer i arbeidsstykket, kan kanten på slipeskiven som dykker inn i arbeidsstykket, henge seg opp og slik brenner slipeskiven eller forårsaker et tilbakeslag. Slipeskiven beveger seg da mot eller bort fra brukeren, avhengig av skivens dreieretning på blokkeringsstedet. Slik kan slipeskiver også brenne.

Et tilbakeslag er resultat av en gal eller feilaktig bruk av elektroverktøyet. Det kan unngås ved å følge egnede sikkerhetstiltak som beskrevet nedenstående.

a) Hold elektroverktøyet godt fast og plasser kroppen og armene dine i en stilling som kan ta imot tilbakeslagskrefter. Bruk alltid ekstrahåndtaket – hvis dette finnes – for å ha størst mulig kontroll over tilbakeslagskrefter eller reaksjonsmomenter ved oppkjøring. Brukeren kan beherske tilbakeslags- og reaksjonsmomenter med egnede tiltak.

b) Hold aldri hånden i nærheten av det roterende innsatsverktøyet. Innsatsverktøyet kan bevege seg over hånden din ved tilbakeslag.

c) Unngå at kroppen din befinner seg i området der elektroverktøyet vil bevege seg ved et tilbakeslag. Tilbakeslaget driver elektroverktøyet i motsatt retning av slipeskivens dreieretning på blokkeringsstedet.

d) Vær spesielt forsiktig i hjørner, på skarpe kanter osv. Du må forhindre at innsatsverktøyet avprelles fra arbeidsstykket eller klemmes fast. Det roterende innsatsverktøyet har en tendens til å klemmes fast i hjørner, på skarpe kanter eller hvis det avprelles. Dette forårsaker kontrolltap eller tilbakeslag.

e) Ikke bruk sagbleadet med kjeder eller tenner. Slike verktøy forårsaker ofte et tilbakeslag eller at man mister kontrollen over elektroverktøyet.



Spesielle advarsler om sliping og kapping

a) Bruk kun slipeskiver som er godkjent for dette elektroverktøyet og et vernedeksel som er konstruert for denne typen slipeskive. Slipeskiver som ikke ble konstruert for dette elektroverktøyet, kan ikke beskyttes tilsvarende og er ikke sikre.

b) Bøyd slipeskiver skal monteres slik at slipeflaten ikke rager ut over kanten av vernehettens flate. Usakkyndig monterte slipeskiver som rager utover kanten på vernehettens flate kan ikke bli tilstrekkelig avskjermet.

c) Bruk alltid vernedekslet som ble konstruert for den slipeskivetyper du bruker. Verne dekslet må monteres sikkert på elektroverktøyet og innstilles slik at det oppnås så stor sikkerhet som mulig, dvs. den minste delen på slipeskiven skal peke åpent mot brukeren. Verne dekslet skal beskytte brukeren mot avbrukne deler og tilfeldig kontakt med slipeskiven.

d) Slipeskiver må kun brukes til anbefalt type bruk. F. eks.: Ikke slip med sideflaten til en kappeskive. Kappeskiver er beregnet til materialfjerning med kanten på skiven. Innvirkning av krefter fra siden kan føre til at slipeskivene brekker.

e) Bruk alltid uskadede spennflenser i riktig størrelse og form for den slipeskiven du har valgt. Egnede flenser støtter slipeskiven og reduserer slik faren for at slipeskiven brekker. Flenser for kappeskiver kan være annerledes enn flenser for andre slipeskiver.

f) Ikke bruk slitte slipeskiver fra større elektroverktøy. Slipeskiver for større elektroverktøy er ikke beregnet til de høyere turtall på mindre elektroverktøy og kan brekke.

Ytterligere spesielle advarsler for kappesliping

a) Unngå blokkering av kappeskiven eller for sterkt presstrykk. Ikke utfør for dype snitt. En overbelastning av kappeskiven øker slitasen og tendensen til fastkilling eller blokkering og dermed også muligheten til tilbakeslag eller brudd på slipeskiven.

b) Unngå området foran og bak den roterende kappeskiven. Hvis kappeskiven beveger seg bort fra deg i arbeidsstykket, kan elektroverktøyet med den roterende skiven ved tilbakeslag slynge direkte mot kroppen din.

c) Hvis kappeskiven blokkerer eller du avbryter arbeidet, slår du av elektroverktøyet og holder det rolig til skiven er stanset helt. Forsøk aldri å trekke den roterende kappeskiven ut av snittet, ellers kan det oppstå et tilbakeslag. Finn og fjern årsaken til blokkeringen.

d) Ikke start elektroverktøyet igjen så lenge det befinner seg i arbeidsstykket. La kappeskiven oppnå det maksimale turtallet før du fortsetter forsiktig med snittet. Ellers kan skiven henge seg opp, springe ut av arbeidsstykket eller forårsake tilbakeslag.

e) Støtt plater eller store arbeidsstykker for å redusere risikoen for tilbakeslag fra en fastklemt kappeskive. Store arbeidsstykker kan bøyes av sin egen vekt. Arbeidsstykket må støttes på begge sider, både nær kappesnittet og på kanten.

f) Vær spesielt forsiktig ved «inndykkingsnitt» i vegger eller andre uoversiktelige områder. Den inntrengende kappeskiven kan treffe på gass- eller vannledninger, elektriske ledninger eller gjenstander som kan forårsake tilbakeslag.

Spesielle advarsler om sandpapisliping

a) Ikke bruk overdimensjonerte slipeskiver, følg produsentens informasjon om slipepapir-størrelsen. Slipeskiver som peker ut over slipetallerkenen kan forårsake skader og føre til at slipeskivene blokkerer eller revner eller til at det oppstår tilbakeslag.

Spesielle advarsler for arbeid med stålborster

a) Vær oppmerksom på at stålborsten også ved normal bruk mister deler. Ikke overbelast borsten med for høyt trykk. Stålparkitklene som løsner kan lett trenge gjennom tynne klær og/eller inn i huden.

b) Hvis det anbefales å bruke et verne deksel, må du forhindre at verne dekslet og stålborsten kan berøre hverandre. Tallerken- og koppborster kan få større diameter med presstrykk og sentrifugalkrefter.

Stikkontakter utendørs må være utstyrt med feilstrøm-sikkerhetsbryter (FI, RCD, PRCD). Dette forlanges av installasjonsforskriften for elektroanlegg. Vennligst følg dette når du bruker vårt apparat.

Spon eller fliser må ikke fjernes mens maskinen er i gang. Maskinen må være slått av når den koples til stikkontakten.

Ikke grip inn i fareområdet mens maskinen er i gang.

Bruk alltid ekstrahåndtaket.

Arbeid alltid med verne deksel ved rubbing og kapping.

Slå straks av apparat når det oppstår store svingninger eller du fastslår andre mangler. Kontroller maskinen for å fastslå årsaken.

Bruk og oppbevar slipeskiver alltid i henhold til produsentens anvisninger.

Ved sliping av metall flyr det gnister. Pass på at ingen personer blir utsatt for fare. På grunn av brannfaren må det ikke finnes noen brennbare materialer i nærheten (gnistområdet). Ikke bruk støvavsug.

Hold apparatet alltid slik at gnister eller slipestøv flyr vekk fra kroppen.

Føringsleiden er forskrift ved kapping av stein.

Flensmutteren må være trukket til før maskinen startes.

Det emnet som skal bearbeides må være fastspent, hvis det ikke blir holdt av sin egen vekt. For aldri emnet med hånden mot skiven.

Under ekstreme bruksforhold (f.eks. ved glattslipeing av metall med støtteskive og vulkanfiber-slipeskiver) kan det legges seg mye skitt inne i vinkelsliperen. Ved slike bruksforhold er det av sikkerhetsgrunner nødvendig med innvendig rengjøring for å fjerne metallrester, det er dessuten tvingende nødvendig å montere en jordfeil- (Fbryter. Hvis FI-bryteren reagerer må maskinen innsendes til reparasjon.

For verktøy som skal tilpasses hjul med gjengete hull, påse at gjengen i hjulet er langt nok til spindelengden.

For kutting bruk lukket beskyttelseshetten fra tilbehørdelene.

FORMÅLSMESSIG BRUK

Vinkelsliperen kan brukes til kutting og polering/rensing av mange materialer, som f.eks. metall eller stein. Den kan også brukes til sliping med kunststoffskiver og til arbeid med stålborster. I tvilstilfeller ta hensyn til instruksjonene til produsenten av tilbehøret. Dette apparatet må kun brukes til de oppgitte formål.

NETTILKOPLING

Skal bare tilsluttes en fasevekselstrøm og bare til den på skiltet angitte nettspenning. Tilslutning til stikkontakter uten jordet kontakt er mulig fordi beskyttelse beskyttelsesklasse II er forhanden.



CE-SAMSVARERKLÆRING

Vi erklærer i alene ansvar at produktet beskrevet i „Teknisk data“ overensstemmer med alle relevante forskrifter til Eu direktiv 2011/65/EU (RoHS), 2004/108/EG, 2006/42/EG og de følgende harmoniserte normative dokumentene:

EN 60745-1:2009
EN 60745-2-3:2011
EN 55014-1:2006 + A1:2009 + A2:2011
EN 55014-2:1997 + A1:2001 + A2:2008
EN 61000-3-2:2006 + A1:2009 + A2:2009
EN 61000-3-3:2008



Winnenden, 2013-05-07

Alexander Krug / Managing Director
Autorisert til å utarbeide den tekniske dokumentasjonen

Techtronic Industries GmbH
Max-Eyth-Straße 10, 71364 Winnenden, Germany

VEDLIKEHOLD

Hold alltid luftenåpningene på maskinen rene.

På grunn av kortslutningsfare må metalldeleer ikke komme inn i luftenåpningene.

Bruk kun Milwaukee tilbehør og Milwaukee reservedeler.

Komponenter der utskifting ikke er beskrevet skal skiftes ut hos Milwaukee kundeservice (se brosjyre garanti/kundeserviceadresser).

Ved behov kan det fås en eksplosjonstegning av apparatet hos kundeservice eller direkte hos Techtronic Industries GmbH, Max-Eyth-Straße 10, 71364 Winnenden, Germany ved angivelse av maskinens type og det sekstallige nummeret på maskinens skilt.

ELEKTRONIKK

AGV 12-125 X, AGV 12-125 XPD

Gjennom elektronisk lettoppstart aksellerer maskinen kontinuerlig til det som er blitt valgt

En nullspenningsbryter forhindrer at maskinen starter på nytt igjen etter et strømbuud. Før neste gangs bruk av maskinen må den først slås av og så slås på igjen.

Apparatet har en overlastnings- og Anti-Kickback vernefunksjon og stopper ved tilsvarende overvekt. Vær oppmerksom på at maskinen selvstendig kjører opp til opprinnelig arbeidsomdreiningstall når belastningen opphører. Når apparatet har oppnådd arbeidsomdreiningstallet er det brukklart igjen.

SYMBOLER



Les nøye gjennom bruksanvisningen før maskinen tas i bruk.



OBS! ADVARSEL! FARE!



Bruk alltid vernebrille når du arbeider med maskinen.



Trekk støpslet ut av stikkkontakten før du begynner arbeider på maskinen.



Tilbehør - inngår ikke i leveransen, anbefalt komplettering fra tilbehørsprogrammet.



Kast aldri elektroverktøy i husholdningsavfallet! I henhold til EU-direktiv 2002/96/EF om kasserte elektriske og elektroniske produkter og direktivets iverksetting i nasjonal rett, må elektroverktøy som ikke lenger skal brukes, samles separat og returneres til et miljøvennlig gjenvinningsanlegg.



Verneklasse II, elektroverktøy, vern mot elektriske slag beror ikke bare på basisisoleringen, men også på at i tillegg vermetiltak som dobbelte isolering eller forsterket isolering anvendes.



TEKNISKA DATA Vinkelslip	AG 12-115 X (220-240 V)	AG 12-115 X (110-120 V)	AG 12-125 X (220-240 V)
Produktionsnummer	4281 36 01... 4280 51 01... 4280 61 01... ... 000001-999999	4281 41 01... 4280 66 01... ... 000001-999999	4280 78 01... ... 000001-999999
Nominell upptagen effekt	1200 W	1200 W	1200 W
Märkvarvtal	11000 min ⁻¹	11000 min ⁻¹	11000 min ⁻¹
Slipskivor-Ø	115 mm	115 mm	125 mm
Slipskivstjocklek	6 mm (1/4")	6 mm (1/4")	6 mm (1/4")
Spindelgänga	M 14	M 14	M 14
Vikt enligt EPTA 01/2003	2,3 kg	2,3 kg	2,3 kg
Buller-/vibrationsinformation Mätvärdena har tagits fram baserade på EN 60 745. A-värdet av maskinens ljudnivå utgör: Ljudtrycksnivå (K=3dB(A)) Ljudeffektsnivå (K=3dB(A)) Använd hörselskydd!	89,0 dB(A) 100,0 dB(A)	89,5 dB(A) 100,5 dB(A)	89,0 dB(A) 100,0 dB(A)
Totala vibrationsvärden (vektorsumma ur tre riktningar) framtaget enligt EN 60745. Yt slipning: Vibrationsemissionsvärde a _h Onoggrannhet K= Slipning med slipblad: Vibrationsemissionsvärde a _h Onoggrannhet K=	7,8 m/s ² 1,5 m/s ² 3,6 m/s ² 1,5 m/s ²	6,8 m/s ² 1,5 m/s ² 4,5 m/s ² 1,5 m/s ²	7,8 m/s ² 1,5 m/s ² 3,6 m/s ² 1,5 m/s ²



Sve

TEKNISKA DATA Vinkelslip	AGV 12-125 X (220-240 V)	AGV 12-125 X PD (220-240 V)
Produktionsnummer	4280 86 01... ... 000001-999999	4332 41 01... ... 000001-999999
Nominell upptagen effekt	1200 W	1200 W
Märkvarvtal	11000 min ⁻¹	11000 min ⁻¹
Slipskivor-Ø	125 mm	125 mm
Slipskivstjocklek	6 mm (1/4")	6 mm (1/4")
Spindelgänga	M 14	M 14
Vikt enligt EPTA 01/2003	2,4 kg	2,4 kg
Buller-/vibrationsinformation Mätvärdena har tagits fram baserade på EN 60 745. A-värdet av maskinens ljudnivå utgör: Ljudtrycksnivå (K=3dB(A)) Ljudeffektsnivå (K=3dB(A)) Använd hörselskydd!	89,0 dB(A) 100,0 dB(A)	89,0 dB(A) 100,0 dB(A)
Totala vibrationsvärden (vektorsumma ur tre riktningar) framtaget enligt EN 60745. Yt slipning: Vibrationsemissionsvärde a _h Onoggrannhet K= Slipning med slipblad: Vibrationsemissionsvärde a _h Onoggrannhet K=	7,8 m/s ² 1,5 m/s ² 3,6 m/s ² 1,5 m/s ²	7,8 m/s ² 1,5 m/s ² 3,6 m/s ² 1,5 m/s ²

VARNING

Den i de här anvisningarna angivna vibrationsnivån har uppmätts enligt ett i EN 60745 normerat mätförfarande och kan användas vid jämförelse mellan olika elverktyg. Nivån är även lämplig att använda vid en preliminär bedömning av vibrationsbelastningen.

Den angivna vibrationsnivån representerar den huvudsakliga användningen av det aktuella elverktyget. Men om elverktyget ska användas i andra användningsområden, tillsammans med avvikande insatsverktyg eller efter otillräckligt underhåll, kan vibrationsnivån skilja sig. Det kan öka vibrationsbelastningen betydligt under hela arbetstiden.

För att få en exaktare bedömning av vibrationsbelastningen ska även den tid beaktas, under vilken elverktyget är avstängt eller är påslaget, utan att det verkligen används. Det kan reducera vibrationsbelastningen betydligt under hela arbetstiden.

Lägg som skydd för användaren fast extra säkerhetsåtgärder mot vibrationernas verkan, som till exempel: underhåll av elverktyg och insatsverktyg, varmhållning av händer och organisering av arbetsförlopp.

⚠️ WARNING! Läs alla säkerhetsanvisningar och andra tillhörande anvisningar, även de i den medföljande broschyren. Fel som uppstår till följd av att anvisningarna nedan inte följs kan orsaka elstöt, brand och/eller allvarliga kroppsskador. Förvara alla varningar och anvisningar för framtida bruk.

SÄKERHETSUTRUSTNING

Gemensamma säkerhetsanvisningar för slipning, sandpappersslipning, arbeten med stålborste, polering och kapslipning:

a) Elverktuget kan användas som slip-, slippappersslip-, stålborste-, och kapslipmaskin.. Beakta alla säkerhetsanvisningar, anvisningar, illustrationer och data som levereras med elverktuget. Om nedanstående anvisningar ignoreras finns risk för att elstöt, brand och/eller allvarliga personskador uppstår.

b) Den här maskinen är inte avsedd för polering. Tillämpningar som maskinen inte är avsedd för kan förorsaka faror och personskador.

c) Använd inte tillbehör som tillverkaren inte uttryckligen godkänt och rekommenderat för detta elverktyg. Även om tillbehör kan fästas på elverktuget finns det ingen garanti för en säker användning.

d) Det tillåtna varvtalet för insatsverktuget måste minst vara så högt som angivet högsta varvtalet på elektroverktuget. Tillbehör som roterar snabbare än tillåtet, kan gå sönder och flyga omkring.

e) Insatsverktygets yttre diameter och tjocklek måste motsvara elverktugets dimensioner. Feldimensionerade insatsverktyg kan inte på betryggande sätt avskämmas och kontrolleras.

f) Slipskivor, flänsar, slipdondell och annat tillbehör måste passa exakt på elverktugets slippindel. Insatsverktyg som inte exakt passar till elverktugets slippindel roterar ojämnt, vibrerar kraftigt och kan leda till att du förlorar kontrollen över verktyget.

g) Använd aldrig skadade insatsverktyg. Kontrollera före varje användning insatsverktygen som t. ex. slipskivor avseende splitterskador och sprickor, slipdondell avseende sprickor repor eller kraftigt nedslitning, stålborstar avseende lösa eller brustna trådar. Om elverktuget eller insatsverktyget skulle falla ned kontrollera om skada uppstått eller montera ett oskadat insatsverktyg. Du och andra personer i närheten ska efter kontroll och montering av insatsverktyg ställa er utanför insatsverktygets rotationsradie och sedan låta elverktuget rotera en minut med högsta varvtalet. Skadade insatsverktyg går i de flesta fall sönder vid denna provkörning.

h) Använd personlig skyddsutrustning. Använd alltefter avsett arbete ansiktsskärm, ögonskydd eller skyddsglasögon. Om så behövs, använd dammfiltermask, hörselskydd, skyddshandskar eller skyddsförkläde som skyddar mot små utslungade slip- och materialpartiklar. Ögonen ska skyddas mot utslungade främmande partiklar som kan uppstå under arbetet. Damm- och andningsskydd måste kunna filtrera bort det damm som eventuellt uppstår under arbetet. Risk finns för hörselskada under en längre tids kraftigt buller.

i) Se till att obehöriga personer hålls på betryggande avstånd från arbetsområdet. Alla som rör sig inom arbetsområdet måste använda personlig skyddsutrustning. Brottstycken från arbetsstycket eller insatsverktygen kan slungas ut och orsaka personskada även utanför arbetsområdet.

j) Håll fast elverktuget endast vid de isolerade handtagen när

arbeten utförs på ställen där insatsverktyget kan skada dolda elledningar eller egen nätsladd. Om man kommer i kontakt med en spänningsförande ledning, så kan även de delar på verktyget som är av metall bli spänningsförande och leda till att man får en elektrisk stöt.

k) Håll nätsladden på avstånd från roterande insatsverktyg. Om du förlorar kontrollen över elverktuget kan nätsladden kapas eller dras in varvid risk finns för att din hand eller arm dras mot det roterande insatsverktyget.

l) Lagg aldrig bort elverktuget innan insatsverktyget stannat fullständigt. Det roterande insatsverktyget kan komma i beröring med underlaget varvid risk finns för att du förlorar kontrollen över verktyget.

m) Elverktuget får inte rotera när det bärs. Kläder kan vid tillfällig kontakt med det roterande insatsverktyget dras in varvid insatsverktyget dras mot din kropp.

n) Rengör regelbundet elverktugets ventilationsöppningar. Motorfläkten drar in damm i huset och en kraftig anhopning av metalldamm kan orsaka farliga elströmmar.

o) Använd inte elverktuget i närheten av brännbara material. Risk finns för att gnistor antänder materialet.

p) Använd inte insatsverktyg som kräver flytande kylmedel. Vatten eller andra kylvätskor kan medföra elstöt.

Varning för bakslag

Ett bakslag är en plötslig reaktion hos insatsverktyget när t. ex. slipskivan, slipdondellen, stålborsten hakar upp sig eller blockerar. Detta leder till abrupt uppbromsning av det roterande insatsverktyget. Härvid accelererar ett okontrollerat elverktyg mot insatsverktygets rotationsriktning vid inklämningsstället.

Om t. ex. en slipskiva hakar upp sig eller blockerar i arbetsstycket kan slipskivans kant i arbetsstycket klämmas fast varvid slipskivan bryts sönder eller orsakar bakslag. Slipskivan rör sig nu mot eller bort från användaren beroende på skivans rotationsriktning vid inklämningsstället. Härvid kan slivskivor även brytas.

Bakslag uppstår till följd av missbruk eller felaktig hantering av elverktuget. Detta kan undvikas genom skyddsåtgärder som beskrivs nedan.

a) Håll stadigt i elverktuget samt kroppen och armarna i ett läge som är lämpligt för att motstå bakslagskrafter. Använd alltid stödhandtaget för bästa möjliga kontroll av bakslagskrafter och reaktionsmoment vid start. Användaren kan genom lämpliga försiktighetsåtgärder bättre behärska bakslags- och reaktionskrafterna.

b) Håll alltid handen på betryggande avstånd från det roterande insatsverktyget. Insatsverktyget kan vid ett bakslag gå mot din hand.

c) Undvik att hålla kroppen inom det område elverktuget vid ett bakslag rör sig. Bakslaget kommer att driva elverktuget i motsatt riktning till slipskivans rörelse vid inklämningsstället.

d) Var särskilt försiktig vid bearbetning av hörn, skarpa kanter osv. Håll emot så att insatsverktyget inte studsar ut från arbetsstycket eller kommer i kläm. På hörn, skarpa kanter eller vid studsning tenderar det roterande insatsverktyget att komma i kläm. Detta kan leda till att kontrollen förloras eller att bakslag uppstår.

e) Använd inte kedje- eller tandat sågblad. Sådana insatsverktyg orsakar ofta bakslag eller gör att du förlorar kontrollen över elverktuget.

Speciella varningar för slipning och kapslipning

a) Använd endast slipkroppar som godkänts för aktuell elverktyg och de sprängskydd som är avsedda för dessa slipkroppar. Slipkroppar som inte är avsedda för aktuell



tryckluftverktyg kan inte på betryggande sätt skyddas och är därför farliga.

b) Vinkelböjda slipskivor ska monteras så, att deras slipyta inte står ut över skyddskåpens kant. En felaktigt monterad slipskiva som står ut över skyddskåpens kant kan inte skämmas av på tillfredsställande sätt.

c) Använd alltid det sprängskydd som är avsett för aktuell slipkropp. Sprängskyddet måste monteras ordentligt på tryckluftverktøget och vara infäst så att högsta möjliga säkerhet uppnås, dvs den del av slipkroppen som är vänd mot användaren måste vara skyddad. Sprängskyddet ska skydda användaren mot brottstycken från eller tillfällig kontakt med slipkroppen.

d) Slipkroppar får användas endast för rekommenderade arbeten. T. ex.: Slipa aldrig med kapskivans sidoyta. Kapskivor är avsedda för materialavverkning med skivans kant. Om tryck från sidan utövas mot slipkroppen kan den spricka.

e) För vald slipskiva ska alltid oskadade spännflansar i korrekt storlek och form användas. Lämpliga flansar stöder slipkivan och reducerar sålunda risken för slipskivbrott. Flansar för kapskivor och andra slipskivor kan ha olika utseende och form.

f) Använd inte nedslitna slipskivor från större elverktyg. Slipskivor för större elverktyg är inte konstruerade för de mindre elverktygens högre varvtal och kan därför spricka.

Andra speciella säkerhetsanvisningar för kapslipning

a) Se till att kapskivan inte kommer i kläm och att den inte utsätts för högt mottryck. Försök inte skära för djupt. Om kapskivan överbelastas ökar dess påfrestning och risk finns för att den snedvids eller blockerar som sedan kan resultera i bakslag eller slipkroppsbrott.

b) Undvik området framför och bakom den roterande kapskivan. Om du för kapskivan i arbetsstycket bort från kroppen kan i händelse av ett bakslag elverktøget med roterande skiva slungas mot din kropp.

c) Om kapskivan kommer i kläm eller arbetet avbryts, koppla från elverktøget och håll det lugnt tills skivan stannat fullständigt. Försök aldrig dra ut en roterande kapskiva ur skärspåret då detta kan leda till bakslag. Lokalisera och åtgärda orsaken för inklämning.

d) Koppla inte åter på elverktøget om det sitter i arbetsstycket. Låt kapskivan uppnå fullt varvtal innan den försiktigt förs in i skärspåret för fortsatt kappning. I annat fall kan skivan haka upp sig, hoppa ur arbetsstycket eller orsaka bakslag.

e) För att reducera risken för ett bakslag till följd av inklämning ska kapskiva ska skivor och andra stora arbetsstycken stödas. Stora arbetsstycken kan böjas ut till följd av hög egenvikt. Arbetsstycket måste därför stödas på båda sidorna både i närheten av skärspåret och vid kanten.

f) Var speciellt försiktig vid "fickkappning" i dolda områden som t. ex. i en färdig vägg. Där risk finns att kapskivan kommer i kontakt med gas- eller vattenledning, elledningar eller andra föremål som kan orsaka bakslag.

Speciella säkerhetsanvisningar för sandpappersslipning

a) Använd inte för stora slippapper, se tillverkarens uppgifter om slippapperets storlek. Slippapper som står ut över sliprondellen kan leda till personskada, blockera, rivas sönder eller också orsaka bakslag.

Speciella säkerhetsanvisningar för arbeten med trådborstar

a) Observera att en metallborste förlorar små metallbitar även vid normal användning. Överbelasta aldrig en metallborste genom att trycka den för kraftigt mot materialet som ska bearbetas. Små metallbitar som går av kan lätt tränga genom tunna kläder och/eller huden.

b) När sprängskydd används bör man se till att sprängskyddet och trådborsten inte berör varandra. Tallriks- och kopporstarnas diameter kan till följd av anliggningstryck och centrifugalkrafter öka.

Anslut alltid verktøget till via en felströmbrytare (FI, RCD, PRCD) vid användning utomhus.

Avlägsna aldrig spån eller flisor när maskinen är igång.

Maskinen skall vara frånkopplad innan den anslutes till väggurtag.

Lakttag största försiktighet när maskinen är igång.

Använd alltid stödhandtag.

Använd alltid skyddskåpa vid slipning och kappning.

Frånkoppla maskinen omedelbart om kraftiga vibrationer uppstår eller andra felfunktioner registreras. Kontrollera maskinen för lokalisering av orsak.

Använd och uppehåll alltid slipskivorna enligt tillverkarens anvisningar.

Vid slipning av metall uppstår gnistor. Se till att personer inte skadas. Pga brandrisken får inga brännbara material finnas i närheten (inom gnistområdet). Använd inte dammsugning!

Håll alltid maskinen så, att gnistor och slipdamm flyger i riktning från kroppen.

För kappning av sten måste styrlåde användas.

Flänsmuttern skall vara åtdragen innan start av maskinen.

Spänn fast arbetsstycket om det inte ligger stadigt till följd av egen vikt. För aldrig arbetsstycket för hand mot slipkivan.

Vid extrema användningsvillkor (till exempel vid planslipning av metaller med stödtallrik och slipskivor av vulkanfiber) kan det bildas mycket smuts på insidan av vinkelslipmaskinen. Vid sådana tillfällen krävs det av säkerhetsskal såväl en grundlig rengöring från metallavlagringar på insidan som en förkoppling av en jordfelsbrytare. Om jordfelsbrytaren skulle löser ut, så måste vinkelslipmaskinen skickas på reparation.

För verktøget avsedda att förses med skivor med gängat hål, bör man kontrollera att skivans gängning är tillräckligt lång att hantera spindeln

Använd den slutna skyddshuvan från tillbehörsprogrammet vid kaparbeten.

ANVÄND MASKINEN ENLIGT ANVISNINGARNA

Vinkelslipen är användbar för kappning och slipning av mångamaterial, som till exempel metall och sten, för slipning medplastsliptallrik och för bearbetning med stålborste. Följ vidtveksamma fall anvisningarna från tillverkaren av tillbehör. Maskinen får endast användas för angiven tillämpning.

NÄTANSLUTNING

Får endast anslutas till 1-fas växelström och till den spänning som anges på dataskylden. Anslutning kan även ske till eluttag utan skyddskontakt, eftersom konstruktionen motsvarar skyddsklass II.



CE-FÖRSÄKRAN

Vi intygar och ansvarar för att den produkt som beskrivs under "Tekniska data" överensstämmer med alla relevanta bestämmelser i direktiv 2011/65/EU (RoHS), 2004/108/EG, 2006/42/EG och följande harmoniserade normerande Dokument:

EN 60745-1:2009

EN 60745-2-3:2011

EN 55014-1:2006 + A1:2009 + A2:2011

EN 55014-2:1997 + A1:2001 + A2:2008

EN 61000-3-2:2006 + A1:2009 + A2:2009

EN 61000-3-3:2008



Winnenden, 2013-05-07

Alexander Krug / Managing Director

Befullmäktigad att sammanställa teknisk dokumentation.

Techtronic Industries GmbH

Max-Eyth-Straße 10, 71364 Winnenden, Germany

SKÖTSEL

Se till att motorhöljets luftslitsar är rena.

OBS! Undvik att metalldelar hamnar i luftslitsarna - risk för kortslutning!

Använd endast Milwaukee-tillbehör och Milwaukee-reservdelar. Komponenter, för vilka inget byte beskrivs, skall bytas ut hos Milwaukee-kundtjänst (se broschyren garanti-/kundtjänstadresser).

Vid behov kan du requirera apparatens sprängskiss antingen hos kundservicen eller direkt hos Techtronic Industries GmbH, Max-Eyth-Straße 10, 71364 Winnenden, Germany. Du ska då ange maskintypen och numret på sex siffror som står på effektskylten.

ELEKTRONIK

AGV 12-125 X, AGV 12-125 XPD

Mjukstart för säker hantering, inget ryck vid uppstart av maskinen.

Nollspänningsutlösaren förhindrar att maskinen sätter igång omedelbart efter ett strömavbrott. När arbetet återupptas ska maskinen kopplas från och kopplas till igen.

Verktyget har en overload- och anti kickback-funktion och stannar vid överbelastning. Observera att maskinen automatiskt kör upp till det ursprungliga arbetsvarvtalet när överbelastningen är borta. När arbetsvarvtalet har uppnåtts är verktyget färdigt att användas igen.

SYMBOLER



Läs instruktionen noga innan du startar maskinen.



OBSERVERA! VARNING! FARA!



Använd alltid skyddsglasögon.



Drag alltid ur kontakten när du utför arbeten på maskinen.



Tillbehör - Ingår ej i leveransomfånget, erhålles som tillbehör.



Elektriska verktyg får inte kastas i hushållsoporna! Enligt direktivet 2002/96/EG som avser äldre elektriska verktyg sorteras separat och lämnas till miljövänlig återvinning.



Skyddsklass II, elverktyg där skyddet mot elektriska stötar inte bara hänför sig till en basisolering, utan som också har extra skyddsanordningar, som t.ex. en dubbel isolering eller en förstärkt isolering.

TEKNISET ARVOT Kulmahiomakone	AG 12-115 X (220-240 V)	AG 12-115 X (110-120 V)	AG 12-125 X (220-240 V)
Tuotantomero	4281 36 01... 4280 51 01... 4280 61 01... ... 000001-999999	4281 41 01... 4280 66 01... ... 000001-999999	4280 78 01... ... 000001-999999
Nimellinen teho	1200 W	1200 W	1200 W
Nimellinen kierros-luku	11000 min ⁻¹	11000 min ⁻¹	11000 min ⁻¹
Hiomalaikan Ø	115 mm	115 mm	125 mm
Hiomalaikan paksuus	6 mm (1/4")	6 mm (1/4")	6 mm (1/4")
Karan kierre	M 14	M 14	M 14
Paino EPTA-menetellyn 01/2003 mukaan	2,3 kg	2,3 kg	2,3 kg
Melupäästö-/täriä tiedot Mitta-arvot määritetty EN 60 745 mukaan. Koneen tyyppillinen A-luokitettu melutaso: Melutaso (K=3dB(A)) Äänenvoimakkuus (K=3dB(A)) Käytä kuulosuojaimia!	89,0 dB(A) 100,0 dB(A)	89,5 dB(A) 100,5 dB(A)	89,0 dB(A) 100,0 dB(A)
Värähtelyn yhteisarvot (kolmen suunnan vektorisummitattuna EN 60745 mukaan. Pintahionta: Värähtelyemissioarvo a _h Epävarmuus K= Hionta hiomapaperilla: Värähtelyemissioarvo a _h Epävarmuus K=	7,8 m/s ² 1,5 m/s ² 3,6 m/s ² 1,5 m/s ²	6,8 m/s ² 1,5 m/s ² 4,5 m/s ² 1,5 m/s ²	7,8 m/s ² 1,5 m/s ² 3,6 m/s ² 1,5 m/s ²



TEKNISET ARVOT Kulmahiomakone	AGV 12-125 X (220-240 V)	AGV 12-125 X PD (220-240 V)
Tuotantomero	4280 86 01... ... 000001-999999	4332 41 01... ... 000001-999999
Nimellinen teho	1200 W	1200 W
Nimellinen kierros-luku	11000 min ⁻¹	11000 min ⁻¹
Hiomalaikan Ø	125 mm	125 mm
Hiomalaikan paksuus	6 mm (1/4")	6 mm (1/4")
Karan kierre	M 14	M 14
Paino EPTA-menetellyn 01/2003 mukaan	2,4 kg	2,4 kg
Melupäästö-/täriä tiedot Mitta-arvot määritetty EN 60 745 mukaan. Koneen tyyppillinen A-luokitettu melutaso: Melutaso (K=3dB(A)) Äänenvoimakkuus (K=3dB(A)) Käytä kuulosuojaimia!	89,0 dB(A) 100,0 dB(A)	89,0 dB(A) 100,0 dB(A)
Värähtelyn yhteisarvot (kolmen suunnan vektorisummitattuna EN 60745 mukaan. Pintahionta: Värähtelyemissioarvo a _h Epävarmuus K= Hionta hiomapaperilla: Värähtelyemissioarvo a _h Epävarmuus K=	7,8 m/s ² 1,5 m/s ² 3,6 m/s ² 1,5 m/s ²	7,8 m/s ² 1,5 m/s ² 3,6 m/s ² 1,5 m/s ²

VAROITUS

Näissä ohjeissa mainittu värähtelytaso on mitattu EN 60745 -standardin mukaisella mittausmenetelmällä ja sitä voidaan käyttää sähkötyökalujen vertaamiseen. Sitä voidaan käyttää myös värähtelyrasituksen väliaikaiseen arviointiin.

Mainittu värähtelytaso edustaa sähkötyökalun pääasiallista käyttöä. Jos sähkötyökalua kuitenkin käytetään muihin tehtäviin, poikkeavin työkaluun tai riittämättömästi huoltaen, värähtelytaso voi olla erilainen. Se voi korottaa värähtelyrasitusta koko työajan osalta.

Tarkan värähtelyrasituksen toteamiseen tulee ottaa huomioon aika, jona laite on kytketty pois tai on kylläkin päällä, mutta ei käytössä. Se voi pienentää värähtelyrasitusta koko työajan osalta.

Määrittele lisäturvatoimenpiteitä käyttäjän suojaamiseksi värinöiden vaikutukselta, kuten esimerkiksi: sähkötyökalujen ja käyttötyökalujen huolto, käsien lämpimän pitäminen, työvaiheiden organisaatio.

VAROITUS! Lue kaikki, myös oheistetussa esitteessä annetut turvallisuusmääräykset ja käyttöohjeet. Turvallisuusohjeiden noudattamisen laiminlyönti saattaa johtaa sähköiskuhn, tulipaloon ja/tai vakavaan loukkaantumiseen. Säilytä kaikki turvallisuus- ja muut ohjeet tulevaisuutta varten.

TURVALLISUUSOHJEET

Yhteiset turvallisuusohjeet hiomista, hiekkapaperihiomista, työskentelyä teräsharjan kanssa, kiillotusta ja katkaisuhiontaa varten:

a) Tätä sähkötyökälyä tulee käyttää hiomakoneena, hiekkapaperihiomakoneena, teräsharja- ja katkaisuhiomakoneena. Ota huomioon kaikki varoohjeet, ohjeet, piirustukset ja tiedot, joita saat sähkötyökälyän kanssa. Ellet noudata seuraavia ohjeita, saattaa se johtaa sähköiskuhn, tulipaloon ja/tai vaikeisiin loukkaantumisiin.

b) Tämä sähkötyökäly ei sovellu kiillottamiseen. Sellainen käyttö, jota varten sähkötyökälyä ei ole tehty, saattaa aiheuttaa vaaratilanteita ja vammoja.

c) Älä käytä mitään lisälaitteita, joita ei valmistaja ole tarkoitannut tai suositellut nimenomaan tälle sähkötyökälylle. Vain se, että pystyt kiinnittämään laitetta sähkötyökälyysi ei takaa sen turvallista käyttöä.

d) Käyttötyökälyän sallitun kierrosluvun täytyy olla vähintään sähkötyökälyä korkeamman sähkötyökälyllä ilmoitetun korkein kierrosuku. Sallittua nopeammin pyörivät lisävarusteet voivat rikottoutua ja lentää ympäriinsä.

e) Vaihottotyökälyän ulkohalkaisijan ja paksuuden tulee vastata sähkötyökälyän mittatietoja. Väärin mitoitettuja vaihottotyökälyä ei voida suojata tai hallita riittävästi.

f) Hiomalaikkojen, laippojen, hiomalautasten ja muitten tarkkideiden tulee sopia tarkasti sähkötyökälysi hiomakaraan. Vaihottotyökäly, jotka eivät sovi tarkkaan sähkötyökälyän hiomakaraan pyörivät epätasaisesti, tärisevät voimakkaasti ja saattavat johtaa työkalun hallinnan menettämiseen.

g) Älä käytä vaurioituneita vaihottotyökälyä. Tarkista ennen jokaista käyttöä, ettei vaihottotyökälyssä, kuten hiomalaikoissa ole pirstoutumia tai halkemia, hiomalautasessa halkeamia tai voimakasta kulumista, teräsharjassa irtonaisia tai katkenneita lankoja. Jos sähkötyökäly tai vaihottotyökäly putoaa, tulee tarkistaa, että se on kunnossa tai sitten käyttää ehjää vaihottotyökälyä. Kun olet tarkistanut ja asentanut vaihottotyökälyän, pidä itsesi ja lähistöllä olevat henkilöt loitolla pyörivän vaihottotyökälyän tasosta ja anna sähkötyökälyän käydä minuutti täydellä kierrosluvulla. Vaurioituneet vaihottotyökälyt menevät yleensä rikki tässä ajassa.

h) Käytä henkilökohtaisia suojavarusteita. Käytä käytöstä riippuen kokosvonaamiota, silmäsuojata tai suojalaseja. Jos mahdollista, käytä pölynaamaria, kuulonsuojainta, suojakäsineitä tai erikoissuojavaatetta, joka suojaa sinut pieniltä hioma- ja materiaalihiukkasilta. Silmät tulee suojata lennelleiltä vierailta esineiltä, jotka saattavat syntyä erilaisessa käytössä. Pöly- tai hengityssuojanaamareiden täytyy suodattaa pois työstössä syntyvä pöly. Jos olet pitkään aittien voimakkaalle leulle, saattaa se vaikuttaa heikentävästi kuuloon.

i) Varmista, että muut henkilöt pysyvät turvallisella etäisyydellä työalueeltasi. Jokaisella, joka tulee työalueelle, tulee olla henkilökohtaiset suojavarusteet. Työkappaleen tai murtuneen vaihottotyökälyän osia saattavat sinkoutua kauemmas ja vahingoittaa ihmisiä myös varsinaisen työalueen ulkopuolella.

j) Tartu sähkötyökälyän ainoastaan eristetyistä pinnoista, tehdeissä työtä, jossa saattaisit osua piilossa olevaan sähköjohtoon tai sahan omaan sähköjohtoon. Leikkaustyökälyän yhteys jännitteelliseen johtoon saattaa tehdä laitteen metalliset osat jännitteelliksi ja aiheuttaa sähköiskuhn.

k) Pidä verkkojohto poissa pyörivistä vaihottotyökälyistä.

Jos menetät sähkötyökälyän hallinnan, saattaa verkkojohto tulla katkaistuksi tai tarttua kiinni ja vetää kätesi tai käsivartesi kiinni pyörivään vaihottotyökälyän.

l) Älä aseta sähkötyökälyä pois, ennen kuin vaihottotyökäly on pysähtynyt kokonaan. Pyörivä vaihottotyökäly saattaa koskettaa lepopintaa ja voit menettää sähkötyökälysi hallinnan.

m) Älä koskaan pidä sähkötyökälyä käynnissä sitä kantaessasi. Vaatteesi voi hetkellisen kosketuksen seurauksena tarttua kiinni pyörivään vaihottotyökälyän, joka saattaa porautua kehoosi.

n) Puhdista sähkötyökälysi tuuletusaukot säännöllisesti. Moottorin tuuletin imee pölyä työkalun koteloon, ja voimakas metallipölyn kasautuma voi synnyttää sähköisiä vaaratilanteita.

o) Älä käytä sähkötyökälyä palavien aineiden lähellä. Kipinät voivat sytyttää näitä aineita.

p) Älä käytä vaihottotyökälyä, jotka tarvitsevat nestemäistä jäähdytysainetta. Veden tai muiden nestemäisten jäähdytysainneiden käyttö saattaa johtaa sähköiskuhn.

Takaisku ja vastaavat varoohjeet

Takaisku on äkillinen reaktio, joka syntyy pyörivän vaihottotyökälyän, kuten hiomalaikan, hiomalautasen tai teräsharjan tarttuessa kiinni tai jäädessä puristukseen. Tarttuminen tai puristukseen joutuminen johtaa pyörivän vaihottotyökälyän äkilliseen pysähtymiseen. Tällöin hallitsematon sähkötyökäly sinkoutuu tarttumakohdasta vaihottotyökälyän kiertosuunnasta vastakkaiseen suuntaan.

Jos esim. hiomalaikka tarttuu tai joutuu puristukseen työkappaleeseen, saattaa hiomalaikan reuna, joka on unponnut työkappaleeseen, juuttua kiinni aiheuttaen hiomalaikan ponnahduksen ulos työkappaleesta tai aiheuttaa takaiskun. Hiomalaikka liikkuu silloin käyttävää henkilöä vasten tai pois päin hänestä, riippuen laikan kiertosuunnasta tarttumakohdassa. Tällöin hiomalaikka voi myös murtua.

Takaisku johtuu sähkötyökälyän väärinkäytöstä tai käytöstä vääriin tarkoitukseen. Se voidaan estää sopivin varotoimin, joita selostetaan seuraavassa.

a) Pitele sähkötyökälyä tukevasti ja saata kehoasi käsvartesi asentoon, jossa pystyt vastaamaan takaiskuvuomiin. Käytä aina lisäkavhua, jos sinulla on sellainen, jotta pystyisit parhaalla mahdollisella tavalla hallitsemaan takaiskuvuomia tai vastamomentteja työkalun ryntökäynnissä. Käyttävä henkilö pystyy hallitsemaan takaiskuja ja vastamomenttivoimat noudattamalla sopivia suojatoimenpiteitä.

b) Älä koskaan tuo kättäsi lähelle pyörivää vaihottotyökälyä. Vaihottotyökäly saattaa takaiskun sattuessa liikkua kätesi yli.

c) Vältä pitämästä kehoasi alueella, johon sähkötyökäly liikkuu takaiskun sattuessa. Takaisku pakottaa sähkötyökälyän vastakkaiseen suuntaan hiomalaikan liikkeeseen nähden tarttumiskohdassa.

d) Työkentele erityisen varovasti kulmien, terävien reunojen jne. alueella, estä vaihottotyökälyä ponnahtamasta takaisin työkappaleesta ja juuttumasta kiinni. Pyörivällä vaihottotyökälyllä on taipumus juuttua kiinni kulmissa, terävissä reunoissa tai saadessaan kimmokkeen. Tämä johtaa hallinnan pettämiseen tai takaiskuun.

e) Älä käytä ketjusahan tai hammastettua sahan terää. Sellaiset käyttötyökälyt aiheuttavat usein takaiskun tai sähkötyökälyän hallinnan menettämisen.

Erityiset varoohjeet hiontaan ja katkaisuhiontaan

a) Käytä yksinomaan sähkötyökälulle sallittuja hiomatyökäluja ja näitä hiomatyökäluja varten tarkoitettuja suojuksia. Hiomatyökäluja, jotka eivät ole tarkoitettuja sähkötyökäluun kanssa käytettäviksi ei voida suojata riittävästi ja ne ovat turvattomia.

b) Taivutetut hiomalaikat täytyy asentaa niin, ettei niiden hiomapinta ulotu suojakuvun reunatason ulkopuolelle. Virheellisesti asennettua hiomalaikkaa, joka ulottuu suojakuvun reunatason ulkopuolelle, ei voida suojata riittävän hyvin.

c) Käytä aina suojusta, joka on tarkoitettu käytettävälle hiomatyökälulle. Suojuksen täytyy olla tukevasti kiinni sähkötyökälussa ja niin asennettu, että suurin mahdollinen turvallisuus saavutetaan. Hiomatyökäluun tulee siis olla mahdollisimman vähän avoin käyttäjää kohti. Suojuksen tulee suojata käyttävää henkilöä murtokappaleilta ja tahattomalta hiomatyökäluun koskettamiselta.

d) Hiomatyökäluja saa käyttää ainoastaan siihen käyttöön mihin niitä suositellaan. Esim.: Älä koskaan hio hiomalaikan sivupintaa käyttäen. Hiomalaikat on tarkoitettu hiontaan laikan ulkokehällä. Sivuttain kohdistuva voima saattaa murtaa hiomalaikan.

e) Käytä aina virheetöntä, oikean kokoista ja muotoista kiinnityslaippaa valitsemallesi hiomalaikalle. Sopivat laipat tukevat hiomalaikkaa ja vähentävät näin hiomalaikan murtumisriskiä. Katkaisulaikkojen laipat saattavat poiketa muitten hiomalaikkojen laipoista.

f) Älä käytä isompiin sähkötyökäluihin kuuluneita kuluneita hiomalaikkoja. Suurempien sähkötyökälujen hiomalaikat eivät sovellu pienempien sähkötyökälujen suuremmille kierrosluville, ja ne voivat murtua.

Muita katkaisuhiontaan liittyviä erityisvaro-ohjeita

a) Vältä katkaisulaikan juuttumista kiinni ja liian suurta syöttöpainetta. Älä tee liian syviä leikkauksia. Katkaisulaikan ylikuormitus kasvattaa sen rasitusta ja sen altiutta kallistua tai juuttua kiinni ja siten takaiskun ja laikan murtumisen mahdollisuutta.

b) Vältä aluetta pyörivän katkaisulaikan edessä ja takana. Jos katkaisulaikka liikkuu työkappaleessa sinusta pois päin, saattaa sähkötyökälu takaiskun sattuessa singota suoraan sinua kohti pyörivällä laikalla.

c) Jos katkaisulaikka joutuu puristukseen tai keskeytät työn, tulee sinun pysäyttää sähkötyökälu ja pitää se rauhallisesti paikoillaan, kunnes laikka on pysähtynyt. Älä koskaan koeta poistaa vielä pyörivää katkaisulaikkaa leikkauksesta, se saattaa aiheuttaa takaiskun. Määrittele ja poista puristukseen joutumisen syy.

d) Älä käynnistä sähkötyökälu uudelleen, jos laikka on kiinni työkappaleessa. Anna katkaisulaikan ensin saavuttaa täysi kierros lukunsa, ennen kuin varovasta jatkat leikkausta. Muussa tapauksessa saattaa laikka tarttua kiinni, ponnahtaa ulos työkappaleesta tai aiheuttaa takaiskun.

e) Tue litteät tai isot työkappaleet, katkaisulaikan puristuksen aiheuttaman takaiskuvanarmin minimoimiseksi. Suuret työkappaleet voivat taipua oman painonsa takia. Työkappaletta tulee tukea molemmilta puoliilta, sekä katkaisuleikkauksen vierestä, että reunoista.

f) Ole erityisen varovainen upotusleikkauksissa seiiniin tai muihin alueisiin, joiden taustaa tai rakennetta et pysty näkemään. Oppoaiva katkaisulaikka saattaa aiheuttaa takaiskun osuessaan kaasutai vesiputkiin, sähköjohtoihin tai muihin kohteisiin.

Erityiset varoohjeet hiekkapaperihiontaan

a) Älä käytä ylisuuria hiomapyöröjä, vaan noudata valmistajan ohjeita hiomapyöröjen koosta. Hiomapyöröt jotka ulottuvat hiomalautasen ulkopuolelle, saattavat aiheuttaa loukkaantumista tai johtaa kiinni juuttumiseen, hiomapyörön repeytymiseen tai takaiskuun.

Erityiset varo-ohjeet työskentelyyn teräsharjan kanssa

a) Muista, että teräsharjasta irtoilee langanpätkiä myös tavallisen käytön aikana. Älä yllärasita teräslankoja liian voimakkaalla puristuksella. Poisnakoilevat langanpalat voivat tunkautua hyvin helposti ohuiden vaatteiden ja/tai ihon läpi.

b) Jos suojusta suositellaan, tulee sinun varmistaa, ettei suojuks ja teräsharja voi koskettaa toisiaan. Lautas- ja kuppiharjojen halkaisijat voivat laajeta puristuspuoleen ja keskikapakovoiman johdosta.

Ulkokäytössä olevat pistorasiat on varustettava vikavirta-suojakytkimillä (FI, RCD PRCD) sähkölaitteistosi asennusmääräyksen mukaisesti. Muista tarkistaa, että laite liitetään ulkokäytössä ulkopistorasiaan ja neuvottele asiasta sähköasentajasi kanssa.

Lastuja tai puruja ei saa poistaa koneen käydessä.

Varmista, että kone on sammutettu ennen kytkemistä sähköverkkoon.

Älä tartu käynnistetyn laitteen työskentelyalueelle.

Käytä aina lisäkädensijaa.

Rouhehionta- ja katkaisutyössä on aina käytettävä laikan rikkomasuojusta.

Pysäytä laite välittömästi jos siinä esiintyy huomattavaa värähtelyä tai huomaat muuta puutetta. Tarkista kone vian aiheuttajan määrittelymiseksi.

Käytä ja säilytä aina hiomalaikat valmistajan ohjeiden mukaan.

Metallien hionnassa syntyy kipinointia. Tarkista, ettei kenellekään aiheuteta vaaraa. Tulipalovaaran takia ei lähistöllä saa olla mitään palavia aineita (kipinätaäsytydellä). Polynpoistoa ei käytetä.

Käytä konetta siten, että lastut ja kipinät lentävät itsestäsi pois päin.

Kivenkatkaisussa on käytettävä ohjuskelkkaa.

Laippamutterin on oltava kunnolla kiristetty ennen koneen käyttöönottoa.

Työstettävä kappale on kiinnitettävä, ellei se omapainonsa vuoksi pysy paikallaan. Älä koskaan vie työkappaletta kädessä hiomalaikkaa vasten.

Äärimmäisen vaikeissa käyttöolosuhteissa (esim. kiilloitettaessa metalleja tulilautasella ja vulkaanikuitu-hiomalaikoilla) saattaa kulmahiomalaitteen sisäpuolelle kertyä runsaasti likaa. Tällaisissa käyttöolosuhteissa on turvallisuussyistä tarpeen puhdistaa metallikertymät laitteen sisäosista perusteellisesti ja lisäksi tulee ehdottomasti kytkeä laitteen eteen vuotovirtavaroike (FI-katkaisin). Kun FI-katkaisin on lauennut, tulee kone lähettää korjattavaksi.

Varmista sellaisissa työkaluissa, joihin on tarkoitus kiinnittää kierteisreikäinen laikka, että laikan kierre on riittävän pitkä sopimaan karan pituuteen.

Käytä katkaisuleikkauksessa lisävarusteohjelmaan kuuluvaa suljettua suojakupua.



Suo

TARKOITUKSEN MUKAINEN KÄYTTÖ

Kulmahiomakonetta voidaan käyttää monien materiaalien, kuten esim. metallin tai kiven, katkaisuleikkaukseen jakarkeaan hiontaan, sekä hiontaan muovihiomalautastakäyttäen ja työskentelyyn teräslankaharjan kanssa. Epäselvissä tapauksissa noudata lisävarusteiden valmistajien antamia ohjeita.

Älä käytä tuotetta ohjeiden vastaisesti.

VERKKOLIITÄNTÄ



Yhdistä ainoastaan yksivaiheiseen vaihtovirtaan, jonka verkkojännite on sama kuin tyyppikilvessä ilmoitettu. Myös liittäminen maadoittamattomiin pistorasioihin on mahdollista, sillä rakenne vastaa turvallisuusluokkaa II.

TODISTUS CE-STANDARDIN MUKAISUUDESTA

Vakuutamme yksinvastuullisesti, että kohdassa "Tekniset tiedot" kuvattu tuote vastaa kaikkia sitä koskevia direktiivien 2011/65/EU (RoHS), 2004/108/EY, 2006/42/EY määräyksiä sekä seuraavia harmonisoituja standardisoivia asiakirjoja:

EN 60745-1:2009

EN 60745-2-3:2011

EN 55014-1:2006 + A1:2009 + A2:2011

EN 55014-2:1997 + A1:2001 + A2:2008

EN 61000-3-2:2006 + A1:2009 + A2:2009

EN 61000-3-3:2008



Winnenden, 2013-05-07

Alexander Krug / Managing Director
Valtuutettu kokoamaan tekniset dokumentit.

Techtronic Industries GmbH
Max-Eyth-Strasse 10, 71364 Winnenden, Germany

HUOLTO

Pidä moottorin ilmanottoaukuk puhdaina.

Älä päästä metalliesineitä tuuletusaukkoihin - oikosulkuvaara

Käytä ainoastaan Milwaukee lisätarvikkeita ja Milwaukee varaosia.

Mikäli jokin komponentti, jota ei ole kuvailtu, tarvitsee vaihtoa ota yhteys johonkin Milwaukee palvelupisteistä (kts. listamme takuuhuoltoiliikkeiden/ palvelupisteiden osoitteista)

Tarvittaessa voit pyytää laitteen räjähdyssiirustuksen ilmoittaan konetyypin ja tyyppikilvessä olevan kuusinumeroisen luvun huoltopalvelustasi tai suoraan osoitteella Techtronic Industries GmbH, Max-Eyth-Strasse 10, 71364 Winnenden, Saksa.

ELEKTRONIikka

AGV 12-125 X, AGV 12-125 XPD

Elektronisen pehmeäkännistyksen vuoksi kone kiihtyy jatkuvasti kunnes ennalta valittu nopeus on saavutettu

Nollakytin estää koneen tahattoman käynnistymisen sähkökatkoksen jälkeen. Aloittaaksesi työskentelyn uudelleen, tulee virta katkaista koneesta ja kytkeä se tämän jälkeen uudelleen takaisin päälle.

Laitte on varustettu ylikuormitus suojauskella ja takapotkunestotoiminnolla ja pysähtyy, jos sitä rasitetaan liikaa. Ota huomioon, että kone palaa takaisin alkuperäiseen työkierto lukuun, kun ylikuormitus lakkaa. Työkiertosuvun saavuttamisen jälkeen laite on jälleen valmis käyttöön.

SYMBOLIT



Lue käyttöohjeet huolellisesti, ennen koneen käynnistämistä.



HUOMIO! VAROITUS! VAARA!



Käytä laitteella työskennellessäsi aina suojalaseja.



Irrota aina pistotulppa seinäkoskettimesta ennen koneeseen tehtäviä toimempiteitä.



Lisälaitte - Ei sisälly vakiovarustukseen, saatavana lisätarvikkeena.



Älä hävitä sähköjätettä tavallisen kotitalousjätteen mukana! Vanhoja sähkö- ja elektroniikkalaitteita koskevan EU-direktiivin 2002/96/ETY ja sen maakohtaisten sovellusten mukaisesti käytetyt sähköjätteen keräyspisteeseen ja ohjattava ympäristöstävälliseen kierrätykseen.



II luokan sähköjätteen, jonka sähköiskusuojaus ei ole riippuvainen vain peruseristyksestä, vaan lisäturvatoimenpiteistä, kuten kaksinkertaisesta eristyksestä tai vahvistetusta eristyksestä.

ΤΕΧΝΙΚΑ ΣΤΟΙΧΕΙΑ ΓΩΝΙΑΚΟΣ ΤΡΟΧΟΣ	AG 12-115 X (220-240 V)	AG 12-115 X (110-120 V)	AG 12-125 X (220-240 V)
Αριθμός παραγωγής	4281 36 01... 4280 51 01... 4280 61 01... ... 000001-999999	4281 41 01... 4280 66 01... ... 000001-999999	4280 78 01... ... 000001-999999
Όνομαστική ισχύς	1200 W	1200 W	1200 W
Όνομαστικός αριθμός στροφών	11000 min ⁻¹	11000 min ⁻¹	11000 min ⁻¹
Μέγιστη διάμετρος δίσκου λείανσης	115 mm	115 mm	125 mm
Πάχος τροχού λείανσης	6 mm (1/4")	6 mm (1/4")	6 mm (1/4")
Σπείρωμα ατράκτου	M 14	M 14	M 14
Βάρος σύμφωνα με τη διαδικασία EPTA 01/2003	2,3 kg	2,3 kg	2,3 kg
Πληροφορίες θορύβου/δονήσεων Τιμές μέτρησης εξακριβωμένες κατά EN 60 745. Η σύμφωνα με την καμπύλη A εκτιμηθείσα στάθμη θορύβου του μηχανήματος αναφέρεται σε: Στάθμη ηχητικής πίεσης (K=3dB(A)) Στάθμη ηχητικής ισχύος (K=3dB(A))	89,0 dB(A) 100,0 dB(A)	89,5 dB(A) 100,5 dB(A)	89,0 dB(A) 100,0 dB(A)
Φοράτε προστασία ακοής (ωτασπίδες)!			
Υλικές τιμές κραδασμών (άθροισμα διανυσμάτων τριών διευθύνσεων) εξακριβώθηκαν σύμφωνα με τα πρότυπα EN 60745. Λείανση επιφανειών: Τιμή εκπομπής δονήσεων a _h Ανασφάλεια K= Λείανση με γυαλόχαρτο: Τιμή εκπομπής δονήσεων a _h Ανασφάλεια K=	7,8 m/s ² 1,5 m/s ² 3,6 m/s ² 1,5 m/s ²	6,8 m/s ² 1,5 m/s ² 4,5 m/s ² 1,5 m/s ²	7,8 m/s ² 1,5 m/s ² 3,6 m/s ² 1,5 m/s ²



ΤΕΧΝΙΚΑ ΣΤΟΙΧΕΙΑ ΓΩΝΙΑΚΟΣ ΤΡΟΧΟΣ	AGV 12-125 X (220-240 V)	AGV 12-125 X PD (220-240 V)
Αριθμός παραγωγής	4280 86 01... ... 000001-999999	4332 41 01... ... 000001-999999
Όνομαστική ισχύς	1200 W	1200 W
Όνομαστικός αριθμός στροφών	11000 min ⁻¹	11000 min ⁻¹
Μέγιστη διάμετρος δίσκου λείανσης	125 mm	125 mm
Πάχος τροχού λείανσης	6 mm (1/4")	6 mm (1/4")
Σπείρωμα ατράκτου	M 14	M 14
Βάρος σύμφωνα με τη διαδικασία EPTA 01/2003	2,4 kg	2,4 kg
Πληροφορίες θορύβου/δονήσεων Τιμές μέτρησης εξακριβωμένες κατά EN 60 745. Η σύμφωνα με την καμπύλη A εκτιμηθείσα στάθμη θορύβου του μηχανήματος αναφέρεται σε: Στάθμη ηχητικής πίεσης (K=3dB(A)) Στάθμη ηχητικής ισχύος (K=3dB(A))	89,0 dB(A) 100,0 dB(A)	89,0 dB(A) 100,0 dB(A)
Φοράτε προστασία ακοής (ωτασπίδες)!		
Υλικές τιμές κραδασμών (άθροισμα διανυσμάτων τριών διευθύνσεων) εξακριβώθηκαν σύμφωνα με τα πρότυπα EN 60745. Λείανση επιφανειών: Τιμή εκπομπής δονήσεων a _h Ανασφάλεια K= Λείανση με γυαλόχαρτο: Τιμή εκπομπής δονήσεων a _h Ανασφάλεια K=	7,8 m/s ² 1,5 m/s ² 3,6 m/s ² 1,5 m/s ²	7,8 m/s ² 1,5 m/s ² 3,6 m/s ² 1,5 m/s ²

ΠΡΟΕΙΔΟΠΟΙΗΣΗ

Το αναφερόμενο σ' αυτές τις οδηγίες επίπεδο δονήσεων έχει μετρηθεί με μια τυποποιημένη σύμφωνα με το EN 60745 μέθοδο μέτρησης και μπορεί να χρησιμοποιηθεί για τη σύγκριση των ηλεκτρικών εργαλείων μεταξύ τους. Αυτό είναι επίσης κατάλληλο για μια προσωρινή εκτίμηση της επιβάρυνσης των δονήσεων.

Το αναφερόμενο επίπεδο δονήσεων αντιπροσωπεύει τις κύριες χρήσεις του ηλεκτρικού εργαλείου. Εάν όμως το ηλεκτρικό χρησιμοποιείται σε άλλες χρήσεις, με διαφορετικά εργαλεία εφαρμογής ή ανεπαρκή συντήρηση, μπορεί να υπάρξει απόκλιση του επιπέδου δονήσεων. Αυτό μπορεί να αυξήσει σημαντικά την επιβάρυνση των δονήσεων για τη συνολική διάρκεια της εργασίας.

Για μια ακριβή εκτίμηση της επιβάρυνσης των δονήσεων οφείλουν επίσης να λαμβάνονται υπόψη οι χρόνοι, στους οποίους η συσκευή είναι απενεργοποιημένη ή είναι μεν ενεργοποιημένη αλλά δεν χρησιμοποιείται πραγματικά. Αυτό μπορεί να μειώσει σημαντικά την επιβάρυνση των δονήσεων για τη συνολική διάρκεια της εργασίας.

Καθορίζετε πρόσθετα μέτρα ασφαλείας για την προστασία του χειριστή από την επίδραση των δονήσεων όπως για παράδειγμα: Συντήρηση του ηλεκτρικού εργαλείου και των εργαλείων εφαρμογής, διατηρείτε ζεστά τα χέρια, οργάνωση των διαδικασιών εργασίας.



ΠΡΟΕΙΔΟΠΟΙΗΣΗ! Διαβάστε όλες τις Υποδείξεις ασφαλείας και τις Οδηγίες, και αυτές στο επισυναπτόμενο φυλλάδιο. Αμέλειες κατά την τήρηση των προειδοποιητικών υποδείξεων μπορεί να προκαλέσουν ηλεκτροπληξία, κινδύνου πυρκαγιάς ή/και σοβαρούς τραυματισμούς. Φυλάξτε όλες τις προειδοποιητικές υποδείξεις και οδηγίες για κάθε μελλοντική χρήση.

ΕΙΔΙΚΕΣ ΥΠΟΔΕΙΞΕΙΣ ΑΣΦΑΛΕΙΑΣ

Κοινές προειδοποιητικές υποδείξεις για λείανση και λείανση με σμυριδόχαρτο, για εργασίες με συρματόβουρτσε, για στίλβωση και για εργασίες κοπή

α) Αυτό το ηλεκτρικό εργαλείο πρέπει να χρησιμοποιείται σαν λειαντήρας με σμυριδόχαρτο, για εργασίες με συρματόβουρτσα και σαν μηχανήματα κοπής. Να λαμβάνετε πάντοτε υπόψη σας όλες τις προειδοποιητικές υποδείξεις, τις οδηγίες, τις απεικονίσεις και τα στοιχεία που σας παραδίδονται μαζί με το ηλεκτρικό εργαλείο. Η μη τήρηση των οδηγιών που ακολουθούν, μπορεί να οδηγήσει σε ηλεκτροπληξία, φωτιά και/ή σε σοβαρούς τραυματισμούς.

β) Αυτό το ηλεκτρικό εργαλείο δεν είναι κατάλληλο για γυάλινα. Χρήσεις, οι οποίες δεν προβλέπονται για το ηλεκτρικό εργαλείο μπορούν να οδηγήσουν σε κινδύνους και να προκαλέσουν τραυματισμούς.

γ) Μη χρησιμοποιήσετε ποτέ εξαρτήματα που δεν προβλέπονται και δεν προτάθηκαν από τον κατασκευαστή ειδικά γι' αυτό το ηλεκτρικό εργαλείο. Μόνο η διαπίστωση ότι μπορείτε να στερεώσετε ένα εξάρτημα στο ηλεκτρικό εργαλείο σας δεν εγγυάται την ασφαλή χρήση του.

δ) Ο επιτρεπτός αριθμός στροφών του ανταλλακτικού εξαρτήματος πρέπει να είναι τουλάχιστον τόσο υψηλός όσο ο μέγιστος αριθμός στροφών που αναφέρεται επάνω στο ηλεκτρικό εργαλείο. Εξαρτήματα τα οποία περιστρέφονται με ταχύτητα μεγαλύτερη από την επιτρεπτή, ενδέχεται να σπασούν και να εκσφενδονιστούν.

ε) Η εξωτερική διάμετρος και το πάχος του εργαλείου που χρησιμοποιείτε πρέπει να ανταποκρίνονται πλήρως στις αντίστοιχες διαστάσεις του ηλεκτρικού εργαλείου σας. Εργαλεία με εσφαλμένες διαστάσεις δεν μπορούν να καλυφθούν ή να ελεγχθούν ασφαλώς.

ς) Οι δίσκοι κοπής, οι φλάντζες, οι δίσκοι λείανσης ή άλλα εξαρτήματα πρέπει να ταιριάζουν ακριβώς επάνω στον άξονα του ηλεκτρικού εργαλείου σας. Εργαλεία που δεν ταιριάζουν ακριβώς επάνω στον άξονα περιστρέφονται ανομοιόμορφα, τρανάζονται πολύ ισχυρά και μπορεί να οδηγήσουν σε απώλεια του ελέγχου του ηλεκτρικού εργαλείου.

ζ) Μη χρησιμοποιείτε χαλασμένα εργαλεία. Να ελέγχετε πάντοτε τα εργαλεία που πρόκειται να χρησιμοποιήσετε, π. χ. τους δίσκους κοπής για σπασίματα και ρωγμές, του δίσκους λείανσης για ρωγμές, φθορές ή ξεφτίσματα και τις συρματόβουρτσες για χαλαρά ή σπασμένα σύρματα. Σε περίπτωση που το ηλεκτρικό εργαλείο ή κάποιο χρησιμοποιήσιμο εργαλείο πέσει κάτω, τότε ελέγξτε το εργαλείο μήπως έχει υποστεί κάποια βλάβη ή χρησιμοποιήστε ένα άλλο, άψογο εργαλείο. Μετά τον έλεγχο και την τοποθέτηση του εργαλείου που πρόκειται να χρησιμοποιήσετε πρέπει να απομακρύνετε τυχόν παρευρισκόμενα πρόσωπα από το επίπεδο περιστροφής του εργαλείου, ή ακολούθως ν' αφήσετε το ηλεκτρικό εργαλείο να εργαστεί ένα λεπτό υπό το μέγιστο αριθμό στροφών χωρίς φορτίο. Τυχόν χαλασμένα εργαλεία σπάνε ως επί το πλείστον κατά τη διάρκεια αυτού του χρόνου δοκιμής.

η) Να φοράτε πάντοτε τη δική σας, ατομική προστατευτική ενδυμασία. Να χρησιμοποιείτε επίσης, ανάλογα με την εκάστοτε εργασία που εκτελείτε, προστατευτικές μάσκες, προστατευτικές διατάξεις ματιών ή προστατευτικά γυαλιά. Αν χρειαστεί, φορέστε και μάσκα προστασίας από σκόνη, ωασιπίδες προστατευτικά γάντια ή μια ειδική προστατευτική ποδιά, που θα σας προστατεύει από τυχόν εκσφενδονιζόμενα λειαντικά σωματίδια ή θρούσματα υλικού. Τα μάτια πρέπει να προστατεύονται από τυχόν αιωρούμενα σωματίδια που μπορεί δημιουργηθούν κατά την εκτέλεση των διάφορων εργασιών. Οι αναπνευστικές και οι προστατευτικές μάσκες πρέπει να φιλτράρουν τον αέρα και να συγκρατούν τη σκόνη που δημιουργείται κατά την εργασία. Σε περίπτωση που εκτεθείτε για πολύ χρόνο σε ισχυρό θόρυβο μπορεί να απώλεσετε την ακοή σας.

ι) Φροντίζετε, τυχόν παρευρισκόμενα άτομα να βρίσκονται πάντοτε σε ασφαλή απόσταση από τον τομέα που εργάζεστε. Κάθε άτομο που μπάινει στον τομέα που εργάζεστε πρέπει να φορά προστατευτική ενδυμασία. Θραύσματα του υπό καταργασία τεμαχίου ή σπασμένων εργαλείων μπορεί να εκσφενδονιστούν και να προκαλέσουν τραυματισμούς ακόμη κι εκτός του άμεσου τομέα εργασίας.

ι) Να πιάνετε το ηλεκτρικό εργαλείο μόνο από τις προβλεπόμενες γι' αυτό το σκοπό μονωμένες επιφάνειες του, όταν εκτελείτε εργασίες στις οποίες υπάρχει κίνδυνος το εργαλείο που χρησιμοποιείτε να συναντήσει ηλεκτροφόρους αγωγούς ή το δικό του ηλεκτρικό καλώδιο. Η επαφή των κοπτικών εργαλείων με αγωγό τροφοδοσίας τάσης μπορεί να θέσει τα μεταλλικά τμήματα της συσκευής υπ' όσταση και να προκαλέσει ηλεκτροπληξία.

κ) Να κρατάτε και να οδηγείτε το ηλεκτρικό καλώδιο σε ασφαλή απόσταση από τα περιστρεφόμενα εργαλεία. Σε περίπτωση που χάσετε τον έλεγχο του ηλεκτρικού εργαλείου το ηλεκτρικό καλώδιο μπορεί να κοπεί ή να περιπλεγεί και το χέρι σας ή το μπράτσο σας να τραβηχτεί επάνω στο περιστρεφόμενο εργαλείο.

λ) Μην αποθέσετε ποτέ το ηλεκτρικό εργαλείο πριν το τοποθετήσετε εργαλείο πάφης εντελώς να κινείται. Το περιστρεφόμενο εργαλείο μπορεί να έρθει σε επαφή με την επιφάνεια στην οποία ακουμπίσατε το ηλεκτρικό εργαλείο κι έτσι να χάσετε τον έλεγχο του.

μ) Μην αφήσετε ο ηλεκτρικό εργαλείο να εργάζεται όταν το μεταφέρετε. Τα ρούχα σας μπορεί να τυλιχτούν τυχαίως στο περιστρεφόμενο εργαλείο κι αυτό να τρυπήσει το σώμα σας.

ν) Να καθορίζετε τακτικά τις σχιμμές αερισμού του ηλεκτρικού εργαλείου σας. Η υπερωπή του κινητήρα τραβάει σκόνη μέσα στο περίβλημα και η συσσωρευση μεταλλικής σκόνης μπορεί να δημιουργήσει ηλεκτρικούς κινδύνους.

ο) Μη χρησιμοποιείτε το ηλεκτρικό εργαλείο κοντά σε εύφλεκτα υλικά. Ο σπινθηρισμός μπορεί να τα αναφλέξει.

π) Μη χρησιμοποιείτε εργαλεία που απαιτούν ψύξη με ψφκτικά υγρά. Η χρήση νερού ή άλλων ψφκτικών υγρών μπορεί να οδηγήσει σε ηλεκτροπληξία.

Κλότσημα και σχετικές προειδοποιητικές υποδείξεις

Το κλότσημα είναι μια απροσδόκητη αντίδραση όταν το περιστρεφόμενο εργαλείο, π. χ. ο δίσκος κοπής, ο δίσκος λείανσης, η συρματόβουρτσα κτλ., προσκρούσει κάπου (σκοντάψει) ή μπλοκάρει. Το σφόνημα ή το μπλοκάρσημα οδηγεί στην απότομη διακοπή της περιστροφής του εργαλείου. Έτσι, ένα τυχόν μη υπό έλεγχο ευρισκόμενο ηλεκτρικό εργαλείο αντίθρα στο σημείο μπλοκαρίσματος/πρόσκρουσης με σφοδρότητα και περιστρέφεται με συνεχώς αυξανόμενη ταχύτητα με αντίθεση από εκείνη του εργαλείου.

Όταν π. χ. ένας δίσκος κοπής σφηνώνει ή μπλοκάρει μέσα στο υπό καταργασία υλικό, τότε η ακμή του δίσκου που βυθίζεται μέσα στο υλικό



EL

μπορεί να στρεβλώσει και ακολούθως ο δίσκος κοπής να πεταχτεί με ορμή και ανεξέλεγκτα από το υλικό ή να προκαλέσει κλότσημα. Όταν συμβεί αυτό ο δίσκος κοπής κινείται με κατεύθυνση προς το χειριστή/τη χειρίστρια ή και αντίθετα, ανάλογα με τη φορά περιστροφής στο σημείο μπλοκαρίσματος. Σε τέτοιες περιπτώσεις δεν αποκλείεται ακόμη και το σπάσιμο των δίσκων κοπής.

Το κλότσημα είναι το αποτέλεσμα ενός εσφαλμένου ή ελλιπούς χειρισμού του ηλεκτρικού εργαλείου και μπορεί να αποφευχθεί με λήψη κατάλληλων προληπτικών μέτρων, σαν αυτά που περιγράφονται παρακάτω.

a) Να κρατάτε το ηλεκτρικό εργαλείο πάντοτε καλά και να παίρνετε με το σώμα σας μόνο θέσεις, στις οποίες θα μπορέσετε να αντιμετωπίσετε επιτυχώς ένα ενδεχόμενο κλότσημα.

Να χρησιμοποιείτε πάντοτε την πρόσθετη λαβή, αν αυτή φυσικά υπάρχει, για να εξασφαλίσετε έτσι το μέγιστο δυνατό έλεγχο του ηλεκτρικού εργαλείου σε περίπτωση εμφάνισης αναστροφών και αντίρροπων δυνάμεων (π. χ. κλότσημα) κατά την εκκίνηση. Ο χειριστής/η χειρίστρια μπορεί να αντιμετωπίσει με επιτυχία τα κλότσημα και τις αναστροφές ροπές.

b) Μη βάζετε ποτέ τα χέρια σας κοντά στα περιστρεφόμενα εργαλεία. Σε περίπτωση κλοτσημάτος το εργαλείο μπορεί να περάσει πάνω από το χέρι σας.

c) Μην παίρνετε με το σώμα σας θέσεις προς τις οποίες θα κινηθεί το ηλεκτρικό εργαλείο σε περίπτωση κλοτσημάτος. Κατά το κλότσημα το ηλεκτρικό εργαλείο κινείται ανεξέλεγκτα με κατεύθυνση αντίθετη προς τη φορά περιστροφής του δίσκου λείανσης στο σημείο μπλοκαρίσματος.

d) Να εργάζεστε με ιδιαίτερη προσοχή σε γωνίες, κοφτερές ακμές κτλ. Φροντίζετε, το λειαντικό εργαλείο να μην ανατινάχτει έξω από το υπό κατεργασία υλικό και να μη σφηνώσει σ' αυτό. Το περιστρεφόμενο λειαντικό εργαλείο σφηνώνει εύκολα κατά την εργασία σε γωνίες και σε κοφτερές ακμές ή όταν εκτινάσσεται. Αυτό προκαλεί κλότσημα ή απώλεια του ελέγχου.

e) Μη χρησιμοποιείτε λάμες για αλυσοπρίονα ή οδοντωτές πριονόλαμες. Τέτοια ανταλλακτικά εξαρτήματα προκαλούν συχνά κλότσημα ή οδηγούν σε απώλεια του ελέγχου του ηλεκτρικού εργαλείου.

Ιδιαίτερες προειδοποιητικές υποδείξεις για λείανση και κοπή

a) Να χρησιμοποιείτε αποκλειστικά λειαντικά σώματα που είναι κατάλληλα για το ηλεκτρικό εργαλείο σας και μόνο προφυλακτικές που προβλέπονται γι' αυτά τα λειαντικά σώματα. Λειαντικά σώματα που δεν προβλέπονται για το ηλεκτρικό εργαλείο δεν μπορούν να καλυφτούν επαρκώς και γι' αυτό είναι ανασφαλή.

b) Οι πτυχωτοί τροχοί λείανσης πρέπει να τοποθετούνται με τέτοιο τρόπο ώστε η επιφάνεια λείανσης να μην εξέχει από την καλύπτρα προστασίας. Σε περίπτωση που ο τροχός λείανσης δεν τοποθετηθεί σωστά και εξέχει από την καλύπτρα προστασίας δεν μπορεί να καλυφθεί επαρκώς.

c) Να χρησιμοποιείτε πάντοτε τον προφυλακτήρα που προβλέπεται για τον τύπο του εκάστοτε λειαντικού σώματος. Ο προφυλακτήρας πρέπει να είναι ασφαλώς στερεωμένος στο ηλεκτρικό εργαλείο και να είναι ρυθμισμένος κατά τέτοιο τρόπο, ώστε έτσι να επιτυγχάνεται η μέγιστη δυνατή ασφάλεια, δηλαδή το τμήμα του λειαντικού εργαλείου που δείχνει προς το χειριστή/τη χειρίστρια να είναι όσο το δυνατό πιο μικρό. Ο προφυλακτήρας προστατεύει το χειριστή/τη χειρίστρια από τυχόν θραύσματα και αθλήτη επαφή με το λειαντικό σώμα.

d) Τα λειαντικά σώματα πρέπει να χρησιμοποιούνται μόνο για τις εργασίες που αυτά προβλέπονται. Μην λειάνετε ποτέ με την πλευρική επιφάνεια ενός δίσκου κοπής. Οι δίσκοι κοπής προορίζονται για αφαίρεση υλικού μόνο με την ακμή τους. Αυτά τα

λειαντικά σώματα μπορεί να σπάσουν όταν υποστούν πίεση από τα πλάγια.

e) Να χρησιμοποιείτε πάντοτε άψογες φλάντζες σύσφιξης με το σωστό μέγεθος και τη σωστή μορφή, ανάλογα με το δίσκο λείανσης που επιλέξατε. Οι κατάλληλες φλάντζες στήριξης του δίσκου λείανσης και μειώνουν έτσι τον κίνδυνο του σπασίματός του. Οι φλάντζες για δίσκους κοπής μπορεί να διαφέρουν από τις φλάντζες για άλλους δίσκους λείανσης.

f) Να μη χρησιμοποιείτε μεταχειρισμένους δίσκους λείανσης από μεγαλύτερα ηλεκτρικά εργαλεία. Δίσκοι λείανσης για μεγαλύτερα λειαντικά εργαλεία δεν είναι κατάλληλοι για τους υψηλότερους αριθμούς στροφών των μικρότερων ηλεκτρικών εργαλείων και γι' αυτό μπορεί να σπάσουν.

Συμπληρωματικές προειδοποιητικές υποδείξεις για δίσκους κοπή

a) Να αποφεύγετε το μπλοκάρισμα των δίσκων κοπής και/ή την άσκηση πολύ υψηλής πίεσης. Να μη διεξάγετε τομές υπερβολικού βάθους. Η υπερβολική επιβάρυνση του δίσκου κοπής αυξάνει τη μηχανική παραμόρφωσή του και τον κίνδυνο στρεβλώσης κι έτσι και τις πιθανότητες κλοτσημάτος ή σπασίματος του λειαντικού σώματος.

b) Να αποφεύγετε την περιοχή μπροστά και πίσω από τον περιστρεφόμενο δίσκο κοπής. Όταν σπρώχνετε το δίσκο κοπής μέσα στο υπό κατεργασία τεμάχιο τότε, σε περίπτωση κλοτσημάτος, το ηλεκτρικό εργαλείο με τον περιστρεφόμενο δίσκο μπορεί να εκσφενδονιστεί κατευθείαν επάνω σας.

c) Όταν ο δίσκος κοπής μπλοκάρει ή όταν διακόπτετε την εργασία σας πρέπει να βέτετε το ηλεκτρικό εργαλείο εκτός λειτουργίας και ακολούθως να το κρατάτε ήρεμα μέχρι ο δίσκος κοπής να σταματήσει εντελώς να κινείται. Μην προσπαθήσετε ποτέ να βγάλετε το δίσκο κοπής από το υλικό όταν αυτός κινείται ακόμη, διαφορετικά υπάρχει κίνδυνος κλοτσημάτος. Εξακριβώστε κι εξουδετερώστε την αιτία του μπλοκαρίσματος.

d) Μη θέσετε το ηλεκτρικό εργαλείο πάλι σε λειτουργία όσο ο δίσκος κοπής βρίσκεται ακόμη μέσα στο υπό κατεργασία τεμάχιο. Αφήστε το δίσκο κοπής να αποκτήσει το μέγιστο αριθμό στροφών πριν συνεχίσετε προσεκτικά την κοπή. Διαφορετικά ο δίσκος μπορεί να σφηνώσει, να πεταχτεί με ορμή έξω από το υπό κατεργασία υλικό ή να προκαλέσει κλότσημα.

e) Πλάκες, ή άλλα μεγάλα υπό κατεργασία τεμάχια, πρέπει να υποστηρίζονται για να ελαττωθεί ο κίνδυνος κλοτσημάτος από έναν τυχόν μπλοκαρισμένο δίσκο κοπής. Μεγάλα υπό κατεργασία τεμάχια μπορεί να αυγίσουν κάτω από το ίδιο τους το βάρος. Το υπό κατεργασία τεμάχιο πρέπει να υποστηριχτεί και στις δύο πλευρές του, και κοντά στην τομή κοπής και στην ακμή του.

f) Να είστε ιδιαίτερα προσεκτικοί/προσεκτικές όταν διεξάγετε «κοπές βυθίσματος» σε τοίχους ή άλλους μη εποπτεύσιμους τομείς. Ο βυθιζόμενος δίσκος κοπής μπορεί να κόψει σωληνές φωταερίου (γκασιού) ή νερού, ηλεκτρικές γραμμές ή αντικείμενα που μπορεί να προκαλέσουν κλότσημα.

Ιδιαίτερες προειδοποιητικές υποδείξεις για εργασίες λείανσης με σμυριδόχαρτο

a) Μη χρησιμοποιείτε υπερμεγέθη σμυριδόφυλλα αλλά τηρείτε τις συστάσεις του κατασκευαστή για το μέγεθος των σμυριδόφυλλων. Σμυριδόφυλλα που προεξέχουν από το δίσκο λείανσης μπορεί να προκαλέσουν τραυματισμούς, να οδηγήσουν σε μπλοκάρισμα, να σχιστούν ή να προκαλέσουν κλότσημα.



Ιδιαίτερες προειδοποιητικές υποδείξεις για εργασίες με συρματόβουρτσες

α) Προσέχετε, διότι από τη μεταλλική βούρτσα επίσης και κατά τη συνήθη χρήση αποκόπτονται κομμάτια σύρματος. Μην επιβαρύνετε τα σύρματα με πολύ υψηλή δύναμη προσαίσεως. Εκσφενδονισμένα κομμάτια σύρματος μπορούν να διαπεράσουν πολύ εύκολα λεπτά ρούχα και το δέρμα.

β) Όταν προτείνεται η χρήση προφυλακτήρα πρέπει να φροντίσετε, τα σύρματα της βούρτσας να μην εγγίζουν τον προφυλακτήρα. Η διάμετρος των δισκοειδών και των ποτηριδών βουρτσών μπορεί να μεγαλώσει εξαιτίας της ασκούμενης πίεσης και της ανάπτυξης κεντρόφυγων δυνάμεων.

Οι πρίζες στους εξωτερικούς χώρους πρέπει να είναι εξωλιτισμένες με μικροαυτόματους διακόπτες προστασίας (FI, RCD, PRCD). Αυτό απαιτεί ο σχετικός κανονισμός από την ηλεκτρική σας εγκατάσταση. Προσέξτε παρακαλώ αυτό το σημείο κατά τη χρήση της συσκευής μας.

Τα γρέζια ή οι σκλήθρες δεν επιτρέπεται να απομακρύνονται όσο η μηχανή βρίσκεται σε λειτουργία.

Συνδέετε τη μηχανή στην πρίζα μόνο αν ο διακόπτης είναι στη θέση απενεργοποίησης.

Μην απλώνετε τα χέρια σας στην επικίνδυνη περιοχή της μηχανής όταν είναι σε λειτουργία.

Χρησιμοποιείτε πάντοτε την πρόσθετη χειρολαβή.

Κατά το ξεχόνδρισμα και το κόψιμο να εργάζεστε πάντοτε με το κάλυμμα προστασίας.

Θέστε τη συσκευή αμέσως εκτός λειτουργίας όταν παρουσιαστούν σημαντικοί κραδασμοί ή διαπιστωθούν άλλα ελαττώματα. Ελέγξτε τη μηχανή, για να διαπιστώσετε την αιτία.

Χρησιμοποιείτε και φυλάγετε τους δίσκους λείανσης πάντοτε σύμφωνα με τα στοιχεία του κατασκευαστή.

Κατά την λείανση/τρόχιση των μετάλλων δημιουργούνται σπινθήρες. Προσέξτε, να μην τεθεί σε κίνδυνο κανένα άτομο. Λόγω του κινδύνου πυρκαγιάς δεν επιτρέπεται να βρίσκονται κοντά εύφλεκτα υλικά (περιοχή εκτόξευσης των σπινθήρων). Μη χρησιμοποιείτε καμία διάταξη αναρρόφησης σκόνης.

Κρατάτε τη συσκευή πάντοτε έτσι, ώστε οι σπινθήρες ή τα ρινομίσημα τροχίσματος να απομακρύνονται από το σώμα σας.

Για το κόψιμο πέτρας είναι υποχρεωτική η χρήση του πέλματος οδήγησης.

Το φλαντζωτό παξιμάδι πρέπει να έχει σφιχτεί πριν την έναρξη λειτουργίας της μηχανής.

Το προς επεξεργασία κομμάτι πρέπει να σφιχτεί καλά, όταν δεν μπορεί να κρατηθεί με το ίδιο του το βάρος. Μην κρατάτε ποτέ το επεξεργαζόμενο κομμάτι με το χέρι ενάντια στο δίσκο.

Σε ακραίες συνθήκες χρήσης (π.χ. ξεχόνδρισμα μετάλλων με τον ελαστικό δίσκο και τα λειαντικά φίλτερ) μπορεί να αναπτυχθεί πολύ βρομιά στο εσωτερικό του γωνιακού τροχού. Σε τέτοιες συνθήκες χρήσης απαιτείται για λόγους ασφαλείας ένας επιμελής καθαρισμός στο εσωτερικό από τις εναποθέσεις μετάλλου και οπωσδήποτε η σύνδεση σ' ένα διακόπτη προστασίας σφάλματος γείωσης (GFCI). Μετά από μια ενεργοποίηση του διακόπτη προστασίας σφάλματος γείωσης (GFCI) πρέπει το εργαλείο να αποσταλεί για επισκευή.

Για εργασία στα οποία προσαρμόζεται τροχός με σπειρωτή οπή, βεβαιωθείτε ότι το σπείρωμα στον τροχό έχει αρκετό μήκος ώστε να ανταποκρίνεται στο μήκος του άξονα.

Για εργασίες κοπής χρησιμοποιείτε κλειστό προφυλακτήρα από το πρόγραμμα πρόσθετων εξαρτημάτων.

ΧΡΗΣΗ ΣΥΜΦΩΝΑ ΜΕ ΤΟ ΣΚΟΠΟ ΠΡΟΟΡΙΣΜΟΥ

Ο γωνιακός τροχός μπορεί να χρησιμοποιηθεί για το κόψιμο και το ξεχόνδρισμα πολλών υλικών, όπως π.χ. μέταλλο ή πέτρα, καθώς επίσης για τη λείανση με συνθετικό δίσκο λείανσης και για εργασίες με βούρτσα από ατσάλουρμα. Σε περίπτωση αμφιβολιών προσέχετε τις υποδείξεις του κατασκευαστή των πρόσθετων εξαρτημάτων.

Αυτή η συσκευή επιτρέπεται να χρησιμοποιηθεί μόνο σύμφωνα με τον αναφερόμενο σκοπό προορισμού.

ΣΥΝΔΕΣΗ ΣΤΟ ΗΛΕΚΤΡΙΚΟ ΔΙΚΤΥΟ

☐ Συνδέτε μόνο σε μονοφασικό εναλλασσόμενο ρεύμα και μόνο σε τάση δικτύου όπως αναφέρεται στην πινακίδα τεχνικών χαρακτηριστικών. Η σύνδεση είναι επίσης εφικτή σε πρίζες χωρίς προστασία επαφής, διότι έχει προβλεφθεί εξοπλισμός κατηγορίας προστασίας II.

ΔΗΛΩΣΗ ΠΙΣΤΟΤΗΤΑΣ ΕΚ

Δηλώνουμε υπεύθυνα ότι το προϊόν που περιγράφεται στο κεφάλαιο «Τεχνικά χαρακτηριστικά» είναι συμβατό με τις διατάξεις της Κοινοτικής Οδηγίας 2011/65/EU (RoHS), 2004/108/EE, 2006/42/EE και με τα ακόλουθα εναρμονισμένα κανονιστικά έγγραφα:

EN 60745-1:2009

EN 60745-2-3:2011

EN 55014-1:2006 + A1:2009 + A2:2011

EN 55014-2:1997 + A1:2001 + A2:2008

EN 61000-3-2:2006 + A1:2009 + A2:2009

EN 61000-3-3:2008



Winnenden, 2013-05-07

Alexander Krug / Managing Director

Εξουσιοδοτημένος να συντάξει τον τεχνικό φάκελο.

Techtronic Industries GmbH

Max-Eyth-Straße 10, 71364 Winnenden, Germany

ΣΥΝΤΗΡΗΣΗ

Διατηρείτε πάντοτε τις σχισμές εξερισμού της μηχανής καθαρές.

Λόγω του κινδύνου βραχυκυκλώματος δεν επιτρέπεται να μπαίνουν μεταλλικά αντικείμενα στις σχισμές εξερισμού.

Χρησιμοποιείτε μόνο αξεσουάρ Milwaukee και ανταλλακτικά Milwaukee. Εξαρτήματα, που η αλλαγή τους δεν περιγράφεται, αντικαθιστώνται σε μια τεχνική υποστήριξη της Milwaukee (βλέπε φυλλάδιο εγγύηση/ διευθύνσεις τεχνικής υποστήριξης).

Σε περίπτωση που το χρειαστείτε μπορείτε να παραγγείλετε λεπτομερές σχέδιο της συσκευής αναφέροντας τον τύπο και τον εξαψήφιο αριθμό που βρίσκεται στην πινακίδα τεχνικών χαρακτηριστικών από την εξυπηρέτηση πελατών ή απευθείας από την Techtronic Industries GmbH, διεύθυνση Max-Eyth-Straße 10, 71364 Winnenden, Germany.

ΗΛΕΚΤΡΟΝΙΚΗ ΡΥΘΜΙΣΗ

AGV 12-125 X, AGV 12-125 XPD

Το ηλεκτρονικό σύστημα αυξάνει ομαλά τον αριθμό στροφών ώστε να αποφευχθεί μια απότομη εκκίνηση της μηχανής και να διασφαλισθεί ο σίγουρος χειρισμός της.

Ο διακόπτης μηδενικής τάσης εμποδίζει την επανενεργοποίηση της μηχανής μετά από διακοπή ρεύματος. Όταν ξαναρχίσετε την εργασία, σβήστε και ξαναανάψτε την μηχανή.

Η συσκευή είναι εξοπλισμένη με λειτουργία προστασίας ενάντια σε υπερφόρτωση και ξαφνικό χτύπημα και τίθεται εκτός λειτουργίας σε τέτοιες περιπτώσεις. Παρακαλώ προσέξτε ότι σε περίπτωση που πάψει να υφίσταται ο φόρτος η μηχανή ανακτά αυτόματα τις στροφές που είχε στην αρχή. Η συσκευή είναι έτοιμη προς χρήση αφότου φτάσει στην περιοχή στροφών εργασίας.

ΣΥΜΒΟΛΑ



Παρακαλώ διαβάστε σχολαστικά τις οδηγίες χρήσης πριν από την έναρξη λειτουργίας.



ΠΡΟΣΟΧΗ! ΠΡΟΕΙΔΟΠΟΙΗΣΗ! ΚΙΝΔΥΝΟΣ!



Στις εργασίες με τη μηχανή φοράτε πάντοτε προστατευτικά γυαλιά.



Πριν από κάθε εργασία στη μηχανή τραβάτε το φως από την πρίζα.



Εξαρτήματα - Δεν περιλαμβάνονται στα υλικά παράδοσης, συνιστούμενη προσθήκη από το πρόγραμμα εξαρτημάτων.



Μην πετάτε τα ηλεκτρικά εργαλεία στον κάδο οικιακών απορριμμάτων! Σύμφωνα με την ευρωπαϊκή οδηγία 2002/96/ΕΚ περί ηλεκτρικών και ηλεκτρονικών συσκευών και την ενσωμάτωσή της στο εθνικό δίκαιο, τα ηλεκτρικά εργαλεία πρέπει να συλλέγονται ξεχωριστά και να πιστρέφονται για ανακύκλωση με τρόπο φιλικό προς το περιβάλλον.



Κατηγορία προστασίας II, ηλεκτρικό εργαλείο, στο οποίο η προστασία έναντι ηλεκτροπληξίας δεν εξαρτάται μόνο από τη βασική μόνωση, αλλά από την εφαρμογή πρόσθετων προστατευτικών μέτρων όπως διπλή μόνωση ή ενισχυμένη μόνωση.



TEKNİK VERİLER Açı taşlama aleti	AG 12-115 X (220-240 V)	AG 12-115 X (110-120 V)	AG 12-125 X (220-240 V)
Üretim numarası	4281 36 01... 4280 51 01... 4280 61 01... ... 000001-999999	4281 41 01... 4280 66 01... ... 000001-999999	4280 78 01... ... 000001-999999
Giriş gücü	1200 W	1200 W	1200 W
Devir sayısı	11000 min ⁻¹	11000 min ⁻¹	11000 min ⁻¹
taşlama diski çapı	115 mm	115 mm	125 mm
Taşlama diski kalınlığı	6 mm (1/4")	6 mm (1/4")	6 mm (1/4")
Mil dişi	M 14	M 14	M 14
Ağırlığı ise EPTA-üretici 01/2003'e göre.	2,3 kg	2,3 kg	2,3 kg
Gürültü/Vibrasyon bilgileri Ölçüm değerleri EN 60 745 e göre belirlenmektedir. Aletin, frekansa bağımlı uluslararası ses basıncı seviyesi değerlendirme eğrisi A'ya göre tipik gürültü seviyesi: Ses basıncı seviyesi (K=3dB(A)) Akustik kapasite seviyesi (K=3dB(A)) Koruyucu kulaklık kullanın!	89,0 dB(A) 100,0 dB(A)	89,5 dB(A) 100,5 dB(A)	89,0 dB(A) 100,0 dB(A)
Toplam titreşim değeri (üç yönün vektör toplamı) EN 60745'e göre belirlenmektedir: Yüzey taşlama: titreşim emisyon değeri a _h Tolerans K= Zımpara kağıdı ile taşlama: titreşim emisyon değeri a _h Tolerans K=	7,8 m/s ² 1,5 m/s ² 3,6 m/s ² 1,5 m/s ²	6,8 m/s ² 1,5 m/s ² 4,5 m/s ² 1,5 m/s ²	7,8 m/s ² 1,5 m/s ² 3,6 m/s ² 1,5 m/s ²



Tür

TEKNİK VERİLER Açı taşlama aleti	AGV 12-125 X (220-240 V)	AGV 12-125 X PD (220-240 V)
Üretim numarası	4280 86 01... ... 000001-999999	4332 41 01... ... 000001-999999
Giriş gücü	1200 W	1200 W
Devir sayısı	11000 min ⁻¹	11000 min ⁻¹
taşlama diski çapı	125 mm	125 mm
Taşlama diski kalınlığı	6 mm (1/4")	6 mm (1/4")
Mil dişi	M 14	M 14
Ağırlığı ise EPTA-üretici 01/2003'e göre.	2,4 kg	2,4 kg
Gürültü/Vibrasyon bilgileri Ölçüm değerleri EN 60 745 e göre belirlenmektedir. Aletin, frekansa bağımlı uluslararası ses basıncı seviyesi değerlendirme eğrisi A'ya göre tipik gürültü seviyesi: Ses basıncı seviyesi (K=3dB(A)) Akustik kapasite seviyesi (K=3dB(A)) Koruyucu kulaklık kullanın!	89,0 dB(A) 100,0 dB(A)	89,0 dB(A) 100,0 dB(A)
Toplam titreşim değeri (üç yönün vektör toplamı) EN 60745'e göre belirlenmektedir: Yüzey taşlama: titreşim emisyon değeri a _h Tolerans K= Zımpara kağıdı ile taşlama: titreşim emisyon değeri a _h Tolerans K=	7,8 m/s ² 1,5 m/s ² 3,6 m/s ² 1,5 m/s ²	7,8 m/s ² 1,5 m/s ² 3,6 m/s ² 1,5 m/s ²

UYARI

Bu talimatlarda belirtilen titreşim seviyesi, EN 60745 standardına uygun bir ölçme metodu ile ölçülmüştür ve elektrikli el aletleri birbirine karşılaştırmak için kullanılabilir. Ölçüm sonuçları ayrıca titreşim yükünün geçici değerlendirmesi için de uygundur. Belirtilen titreşim seviyesi, elektrikli el aletinin genel uygulamaları için geçerlidir. Ancak elektrikli el aleti başka uygulamalar için, farklı eklenti parçalarıyla ya da yetersiz bakım koşullarında kullanılırsa, titreşim seviyesi farklılık gösterebilir. Bu durumda, titreşim yükü toplam çalışma zaman aralığı içerisinde belirgin ölçüde yükselebilir.

Titreşim yükünün tam bir değerlendirilmesi için ayrıca cihazın kapalı olduğu süreler ve cihazın çalışır durumda olduğu, ancak gerçek kullanımda bulunmadığı süreler de dikkate alınmalıdır. Böylelikle, toplam çalışma zamanı aralığı boyunca meydana gelen titreşim yükü belirgin ölçüde azaltılabilir.

Kullanıcı titreşimlerin etkisinden korumak üzere, örneğin elektrikli el aletlerinin ve eklenti parçalarının bakımı, ellerin sıcak tutulması ve iş akışlarının organizasyonu gibi ek güvenlik tedbirleri belirleyiniz.

Türkçe

⚠ UYARI! Güvenlikle ilgili bütün açıklamaları, talimatları ve ilişikteki broşürde yazılı bulunan hususları okuyunuz. Açıklanan uyarılara ve talimat hükümlerine uyulmadığı takdirde elektrik çarpmalarına, yangınlara ve/veya ağır yaralanmalara neden olunabilir. **Bütün uyarıları ve talimat hükümlerini ileride kullanmak üzere saklayın.**

GÜVENLİĞİNİZ İÇİN TALIMATLAR

Taşlama, kumlu zımpara kağıdı ile zımparalama, tel fırça ile taşlama, polisaj ve kesici taşlama işleri için müşterek uyarılar:

- Bu elektrikli el aleti taşlama, kumlu zımpara kağıdı ile zımparalama kesici taşlama olarak kullanılmak üzere geliştirilmiştir. Elektrikli el aleti ile birlikte teslim edilen bütün uyarılara, talimata, şekillere ve verilere uyun hareket edin.** Aşağıdaki talimat hükümlerine uymadığınız takdirde elektrik çarpması, yangın veya ağır yaralanma tehlikesi ile karşılaşabilirsiniz.
- Bu elektrikli el aleti polisaj yapmaya uygun değildir.** Bu alet için öngörülmemiş uygulamalar tehlikeli durumlar n ve yaralanmalar n ortaya ç kmas na neden olabilir.
- Üretici tarafından özel olarak bu alet öngörülmemiş ve tavsiye edilmeyen aksesuar kullanmayın.** Bir aksesuarı elektrikli el aletinize takabiliyor olmanız güvenli kullanımı garanti etmez.
- Kullanılan takımın izin verilen devri, en az elektrikli cihaz üzerinde yazılı azami devir kadar yüksek olmalıdır.** İzin verileden daha hızlı dönen aksesuar kırılabilir ve etrafa fırlayabilir.
- Kullanılan ucun dış çapı ve kalınlığı elektrikli el aletinizin ölçülerine uymalıdır.** Ölçüsü uygun olmayan uçlar yeterli derecede kapatılamaz veya kontrol edilemez.
- Taşlama diskleri, flanşlar, zımpara tablaları veya diğer aksesuar elektrikli el aletinizin taşlama miline tam olarak uymayan uçlar düzensiz döner, aşırı titreşim yapar ve aletin kontrolünün kaybedilmesine neden olabilir.**
- Hasarlı uçları kullanmayın. Her kullanımdan önce taşlama disklerinde çatlak ve çizik olup olmadığını, zımpara tablalarında çizik ve aşınma olup olmadığını, tel fırçalarda gevşeme veya kırık teller olup olmadığını kontrol edin. Elektrikli el aleti veya uç yere düşecek olursa hasar görüp görmediklerini kontrol edin, gerekiyorsa hasar görmemiş başka bir uç kullanın. Kullanacağınız ucu kontrol edip taktıktan sonra ucun dönme alanı yakınında bulunan kişileri uzaklaştırın ve elektrikli el aletini bir dakika en yüksek devir sayısında çalıştırın.** Hasarlı uçlar çoğu zaman bu test süresinde kırılır.
- Kişisel koruyucu donanım kullanın. Yaptığınız işe göre tam yüz siperliği, göz koruma donanımı veya koruyucu gözlük kullanın. Eğer uygunsuz küçük taşlama ve malzeme parçacıklarına karşı koruma sağlayan toz maskesi, koruyucu kulaklık, koruyucu iş eldivenleri veya özel iş önlüğü kullanın.** Gözler çeşitli uygulamalarda etrafa savrulan parçacıklardan korunmalıdır. Toz veya soluma maskesi çalışma sırasında ortaya çıkan tozları filtre eder. Uzun süre yüksek gürültü altında çalışırsanız işitme kaybına uğrayabilirsiniz.
- Başkalarının çalıştığınız yerden güvenli uzaklıkta olmasına dikkat edin. Çalışma alanınıza girmek zorunda olan herkes koruyucu donanım kullanmalıdır.** İş parçasının ucu kırılması sonucu ortaya çıkan parçacıklar etrafa savrulularak çalışma alanınızın dışındaki kişileri de yaralayabilir.
- Çalışırken alet ucunun görünmeyen elektrik akımı ileten kabloları veya aletin kendi şebeke kablosuna temas**

etme olasılığı varsa elektrikli el aletini sadece izolasyonlu tutamайдan tutun. Kesme aletinin içinden elektrik akımı geçen kablo ile temas etmesi durumunda elektrik akımı cihazın metal kısımlarına geçer ve elektrik çarpmasına sebebiyet verebilir.

- Şebeke bağlantı kablosunu dönen uçlardan uzak tutun.** Elektrikli el aletinin kontrolünü kaybederseniz, şebeke bağlantı kablosu ayrılabilir veya uç tarafından tutulabilir ve el veya kollarınız dönmekte olan uca temas edebilir.
- Uç tam olarak durmadan elektrikli el aletini elinizden bırakmayın.** Dönmekte olan uç aleti bırakacağı yüze temas edebilir ve elektrikli el aletinin kontrolünü kaybedebilirsiniz.
- Elektrikli el aletini çalışır durumda taşımayın.** Giysileriniz rastlantı sonucu dönmekte olan uç tarafından tutulabilir ve uç bedeninize temas edebilir.
- Elektrikli el aletinin havalandırma deliklerini düzenli olarak temizleyin.** Motor fanı tozu gövdeye çeker ve metal tozunun aşırı birikimi elektrik çarpmı tehlikesini ortaya çıkarır.
- Elektrikli el aletini yanıcı malzemenin yakınında kullanmayın.** Kivildimlar bu malzemeyi tutuşturabilir.
- Sıvı soğutucu madde gerektiren uçları kullanmayın.** Suyun veya diğer sıvı soğutucu maddenin kullanımı elektrik çarpmasına neden olabilir.

Geri tepme ve buna ait uyarılar

Geri tepme, dönmekte olan taşlama diski, zımpara tablası, tel fırça ve benzeri uçların takılması veya bloke olması sonucu ortaya çıkan ani tepkidir. Takılma ve blokaj dönmekte olan ucun ani olarak durmasına neden olur. Bu gibi durumlarda elektrikli el aleti blokaj yerinden ucun dönme yönünün tersine doğru savrulur.

Örneğin bir taşlama diski iş parçası içinde takılır veya bloke olursa, taşlama diskinin içine giren kenarı tutulur ve disk kırılır veya geri tepme kuvvetinin ortaya çıkmasına neden olur. Bu durumda taşlama diski blokaj yerinden, diskin dönme yönüne bağlı olarak kullanıcıya doğru veya kullanıcının tersine hareket eder. Bu gibi durumlarda taşlama disklerinin kırılma olasılığı da vardır.

Geri tepme kuvveti elektrikli el aletinin yanlış veya hatalı kullanımı sonucu ortaya çıkar. Geri tepme kuvvetleri aşağıda açıklanan koruyucu önlemlerle önlenebilir.

- Elektrikli el aletini sıkıca tutun ve bedeniniz ile ellerinizi geri tepme kuvvetlerini rahatça karşılayabilecek duruma getirin. Alet hızlanırken ortaya çıkabilecek geri tepme kuvvetlerini veya reaksiyon momentlerini optimal ölçüde karşılayabilmek için eğer varsa her zaman ek tutamağı kullanın.** Kullanıcı uygun önlemler alarak geri tepme ve reaksiyon kuvvetlerine hakim olabilir.
- Elinizi hiçbir zaman dönen ucun yakınına getirmeyin.** Uç geri tepme sırasında elinize doğru hareket edebilir.
- Bedeninizi geri tepme sırasında elektrikli el aletinin hareket edebileceği alandan uzak tutun.** Geri tepme kuvveti elektrikli el aletini blokaj yerinden taşlama diskinin dönme yönünün tersine doğru iter.
- Özellikle köşeleri, keskin kenarları ve benzerlerini işlerken dikkatli olun. Ucu iş parçasından dışarı çıkmasını ve takılıp sıkışmasını önleyin.** Dönmekte olan uç köşelerde, keskin kenarlarda çalışırken sıkışmaya eğilimlidir. Bu ise kontrol kaybına veya geri tepmeye neden olur.
- Zincirli veya dişli testere bıçakları kullanmayınız.** Bu gibi takımlar sıklıkla geri tepmeye veya elektrikli cihaz üzerindeki kontrolün kaybedilmesine neden olur.

Taşlama ve kesici taşlama için özel uyarılar

- Sadece elektrikli el aletinin için müsaade edilen taşlama**



Tür

uçlarını ve bu uçlar için öngörülen koruyucu kapağı kullanın. Bu elektrikli el aleti için öngörülmeden taşlama uçları yeterli ölçüde kapatılmazlar ve güvenli değildirler.

b) Bombeli taşlama diskleri, taşlama yüzeyi koruyucu kapak kenarı seviyesini aşmayacak şekilde monte edilmelidir. Usulüne uygun monte edilmeyen ve koruyucu kapak kenarı seviyesini aşan bir taşlama diski yeterli kadar izole edilemez.

c) Daima taşlama ucunun türüne uygun koruyucu kapak kullanın. Koruyucu kapak elektrikli el aletine güvenli biçimde takılmış olmalı ve en yüksek güvenliği sağlayacak biçimde ayarlanmış olmalıdır. Taşlama ucunun mümkün olan en küçük kısmı açıkta kalmalı ve kullanıcıyı göstermelidir. Koruyucu kapağın işlevi kullanıcıyı kırılan parçacıklardan ve taşlama ucu ile tesadüfî temestan korumaktır.

d) Taşlama uçları sadece tavsiye edilen uygulamalarda kullanılabilir. Örneğin: Bir kesme diskinin kenarı ile hiçbir zaman taşlama yapmayın. Kesici taşlama diskleri uçları ile malzeme kazınma için geliştirilmiştir. Bu uçlara yandan baskı uygulandığında kırılabilirler.

e) Seçtiğiniz taşlama diski için daima hasar görmemiş doğru büyüklük ve biçimde germe flanş kullanın. Uygun flanşlar taşlama disklerini destekler ve kırılma tehlikesini önlerler. Kesici taşlama diskleri için öngörülen flanşlar diğer uçlara ait flanşlardan farklı olabilir.

f) Büyük elektrikli el aletlerini ait yıpranmış taşlama disklerini kullanmayın. Büyük elektrikli el aletlerinde kullanılan taşlama diskleri yüksek devirli küçük el aletlerinde kullanılmaya elverişli değildirler ve kırılabilirler.

Kesici taşlama için diğer özel uyarılar

a) Kesici taşlama diskinin bloke olmamasını sağlayın veya bu diske yüksek bastırma kuvveti uygulamayın. Aşırı derinlikte kesme yapmayın. Kesici taşlama ucuna aşırı yüklenme açıkladırma yapılmasına veya blokaja neden olabilir ve bunun sonunda da geri tepme kuvveti oluşabilir veya taşlama ucu kırılabilir.

b) Dönmekte olan kesici taşlama diskinin ön ve arka alanına yaklaşmayın. Kesici taşlama diskinin iş parçasından dışarı çıkarırsanız bir geri tepme kuvveti oluştuğunda dönen disk size zarar verilebilir.

c) Kesici taşlama diski sıkışacak olursa veya siz işe ara vererseniz elektrikli el aletini kapatın ve disk tam olarak duruncaya kadar aleti sakin biçimde tutun. Dönmekte olan kesici taşlama diskinin hiçbir zaman kesme yerinden çıkarmayı denemeyin, aksi takdirde geri tepme kuvveti oluşabilir. Sıkışmanın nedenini tespit edin ve gidin.

d) Elektrikli el aleti iş parçası içinde bulunduğu sürece onu tekrar çalıştırmayın. Kesme işine dikkatli biçimde devam etmeden önce kesme diskinin en yüksek devire ulaşmasını bekleyin. Aksi takdirde disk takabilir, iş parçasından çıkabilir veya bir geri tepme kuvveti oluşabilir.

e) Kesici taşlama diskinin sıkışması sonucu oluşabilecek geri tepme kuvvetlerini önlemek için büyük levha veya iş parçalarını destekleyin. Büyük iş parçaları kendi ağırlıkları ile bükülebilir. Büyük iş parçaları iki yandan desteklenmelidir, hem kesme hattının yakınından hem de kenardan.

f) Duvarlar veya diğer görülmeyen alanların olduğu yerlerde özellikle "cep kesmelerinde" dikkatli olun. Malzeme içine dalan kesici taşlama diskleri kesme işlemi sırasında gaz veya su borularına, elektrik kablolarına veya diğer nesnelere rastlayarak geri tepme kuvveti oluşturabilirler.

Zımpara kağıtları ile çalışmaya ait özel uyarılar

a) Boyutları yüksek zımpara kağıtlarını kullanmayın, zımpara kağıtları için üreticinin verilerine uyun. Zımpara tablasından

dışarı çıkıntı yapan zımpara kağıtları yaralanmalara neden olabilirler, blokaja neden olabilirler, yırtılabilirler veya geri tepme kuvvetlerinin oluşmasına neden olabilirler.

Tel fırça ile çalışmaya ait özel uyarılar

a) Tel fırçaların bilindiği şekli ile tel parçalarının kullanımını esasında varyasyon yaptığınız dikkate alın. Fazla bir baskı ile tellere fazla yüklenmeyiniz. Uçuşan tel parçaları hafif ince elbisenin içine girebilir ve/veya cilde nüfuz eder.

b) Koruyucu kapak kullanırken koruyucu kapakla tel fırçanın birbirine temas etmesini önleyin. Tabla veya çanak biçimli fırçaları bastırma ve merkezkaç kuvvetleri nedeniyle çaplarını büyütebilir.

Açık havadaki prizler hatalı akım koruma şalteri (FI, RCD, PRCD) ile donatılmış olmalıdır. Bu, elektrik tesisatındaki bir zorunluluktur. Lütfen aletimizi kullanırken bu hususa dikkat edin.

Alet çalışır durumda iken talaş ve kırıntıları temizlemeye çalışmayın. Aleti sadece kapalı iken prize taktın.

Aletin tehlikeli olabilecek bölümlerini tutmayın.

Daima ilave sapı kullanın.

Kazıma ve kesme işleri sırasında daima koruyucu kapağı kullanın.

Hissedilir ölçüde titreşim oluşmaya başlarsa veya normal olmayan başka aksaklıklar ortaya çıkarsa aleti hemen kapatın. Bu aksaklıkların nedenini belirlemek için aleti kontrol edin.

Taşlama disklerini daima üreticinin talimatına uygun olarak kullanın ve saklayın.

Taşlama işlemi sırasında ortaya çıkan kıvılcımlara dikkat edin, yanıcı malzemeler tutuşabilir.

Aleti daima, kıvılcımlar veya taşlama tozu bedeninizden uzaklaşacak biçimde tutun.

Taşları keserken kılavuz kazağın kullanılması zorunludur.

Flanşlı somunu aleti işleme almadan önce iyice sıkın.

Kendi ağırlığı ile güvenli biçimde durmuyorsa iş parçasının uygun bir tertibatla sıkıca tespit edilmesi gerekir. İş parçasını hiçbir zaman elinize diske doğru tutmayın.

Aşırı kullanım koşullarında (örneğin destek levhali metallerin ve volkan ateşi taşlama levhalasının düz olarak taşlanması) ağır taşlamasının iş kısmında kuvvetli bir kırılma oluşabilir. Böyle kullanım koşullarında güvenlik sebeplerinden dolayı iş bölümü metal çöküntülerinden esaslı bir şekilde temizlenmeli ve hatalı elektrik akımı (Fkoruyucu şalterin zorunlu olarak deneme devresine sokulması gerekir. FI koruyucu şalteri okutulduktan sonra makinenin tamir edilme üzere gönderilmesi gerekir.

Klavuz delikli teker takılacak olan aletlerde, tekerdeki klavuzun mil uzunluğunu kabul edecek kadar uzun olmasına dikkat edin.

Ayırma işleri için aksam programından kapalı koruma şapkası kullanın.

KULLANIM

Açık taşlama aleti pek çok malzemenin ayırma ve kaba taşlamalarında kullanılır, örneğin metal veya taş ve plastik taşlamatabağı ile taşlama ve çelik tel fırça ile çalışırken.

Bu alet sadece belirttiği gibi ve usulüne uygun olarak kullanılabilir.

ŞEBEKE BAĞLANTISI

Aleti sadece tek fazlı alternatif akıma ve tip etiketi üzerinde belirtilen şebeke gerilimine bağlayın. Yapısı Koruma sınıfı II'ye girdiğinden alet koruyucu kontaklı prize de bağlanabilir.

CE UYGUNLUK BEYANI

Tek sorumlu olarak "Teknik Veriler" boĖnĖlĖmĖnde tarif edilen ĖrĖnĖn 2011/65/EU (RoHS), 2004/108/EC, 2006/42/EC sayılı direktifi n ve aĖaĖıdaki harmonize temel belgelerin bĖtĖn Ėnemli hĖkĖmlerine uygun olduĖunu beyan etmekteyiz:

EN 60745-1:2009

EN 60745-2-3:2011

EN 55014-1:2006 + A1:2009 + A2:2011

EN 55014-2:1997 + A1:2001 + A2:2008

EN 61000-3-2:2006 + A1:2009 + A2:2009

EN 61000-3-3:2008



Winnenden, 2013-05-07

Alexander Krug / Managing Director
Teknik evrakları hazırlamakla gĖrevlendirilmiĖtir.

Techtronic Industries GmbH
Max-Eyth-StraĖe 10, 71364 Winnenden, Germany

BAKIM

Aletin havalandırma aralıklarını daima temiz tutun.

Kısa devre tehlikesi ortaya çıkacağından metal parçaları havalandırma aralıklarına girmemesi gerekir.

Sadece Milwaukee aksesuarı ve yedek parçası kullanın. Nasıl deĖiĖtirileceđi açıklanmamıĖ olan yapı parçalarını bir Milwaukee mĖĖteri servisinde deĖiĖtirin (Garanti ve servis adresi broĖrĖne dikkat edin).

Gerektiđinde cihazın ayrıntılı çizimini, gĖç levhası Ėzerindeki makine modelini ve altı haneli rakamı belirterek mĖĖteri servisizden veya dođrudan Techtronic Industries GmbH, Max-Eyth-StraĖe 10, 71364 Winnenden, Germany adresinden isteyebilirsiniz.

ELEKTRONİK

AGV 12-125 X, AGV 12-125 XPD

GĖvenli kullanım sađlayan elektronik yumuĖak ilk hareket; alet çalıştırıldıđında gere tepmeleri Ėner.

Sıfır gerilim Ŗalteri elektrik kesintilerinden sonra aletin tekrar ve istenmeden çalışmasını Ėner. Yeniden çalışmaya baĖlamaan Ėnce aleti kapatın ve tekrar çalıştırın

Cihaz Overload - ve Anti Kickback koruma fonksiyonlarına sahiptir ve fazla yĖklenmesi halinde durur. Makinenin fazla yĖkten kurtulması halinde makinenin asıl devir sayısına ulaĖacağına lĖtfen dikkate alınız. Çalışma devir sayısına ulaĖması durumunda makine tekrar çalıştırılabilir.

SEMBOLLER



LĖtfen aleti çalıştırmadan Ėnce kullanma kılavuzunu dikkatli biĖimde okuyun.



DIKKAT! UYARI! TEHLİKE!



Aletle çalışırken daima koruyucu gĖzlĖk kullanın.



Aletin kendinde bir çalışma yapmadan Ėnce fiĖi prizden çekin.



Aksesuar - Teslimat kapsamında deđildir, Ėnerilen tamamlamalar aksesuar programında.



Elektrikli el aletlerini evdeki Ėp kutusuna atmayınız! Kullanılmıs elektrikli aletleri, elektrik ve elektronik eski cihazlar hakkındaki2002/96/EC Avrupa yĖnergelerine gĖre ve bu yĖnergeler ulusal hukuk kurallarına gĖre uyarlanarak, ayrı olarak toplanmalı ve Ėvre şartlarına uygun bir şekilde tekrar deđerlendirmeye gĖnderilmelidir.



Koruma sınıfı II, elektrik tepkisine karĖı korumanın sadece baz izolasyonuna bađlı olmayan elektro alet, bilakis çift izolasyon veya takviye edilen izolasyon gini ek koruyucu tedbirler uygulanır.



Tür

TECHNICKÁ DATA Úhlová bruska	AG 12-115 X (220-240 V)	AG 12-115 X (110-120 V)	AG 12-125 X (220-240 V)
Výrobní číslo	4281 36 01... 4280 51 01... 4280 61 01... ... 000001-999999	4281 41 01... 4280 66 01... ... 000001-999999	4280 78 01... ... 000001-999999
Jmenovitý příkon	1200 W	1200 W	1200 W
Jmenovité otáčky	11000 min ⁻¹	11000 min ⁻¹	11000 min ⁻¹
Průměr brusného kotouče	115 mm	115 mm	125 mm
Tloušťka brusného kotouče	6 mm (1/4")	6 mm (1/4")	6 mm (1/4")
Závít vřetene	M 14	M 14	M 14
Hmotnost podle prováděcího předpisu EPTA 01/2003	2,3 kg	2,3 kg	2,3 kg
Informace o hluku / vibracích Naměřené hodnoty odpovídají EN 60 745. V třídě A posuzovaná hladina hluku přístroje činí typicky: Hladina akustického tlaku (K=3dB(A)) Hladina akustického výkonu (K=3dB(A)) Používejte chrániče sluchu !	89,0 dB(A) 100,0 dB(A)	89,5 dB(A) 100,5 dB(A)	89,0 dB(A) 100,0 dB(A)
Celkové hodnoty vibrací (vektorový součet tří směrů) zjištěnéve smyslu EN 60745.			
Broušení povrchu: Hodnota vibračních emisí a _h	7,8 m/s ²	6,8 m/s ²	7,8 m/s ²
Kolisavost K=	1,5 m/s ²	1,5 m/s ²	1,5 m/s ²
Broušení pomocí brusného listu: Hodnota vibračních emisí a _h	3,6 m/s ²	4,5 m/s ²	3,6 m/s ²
Kolisavost K=	1,5 m/s ²	1,5 m/s ²	1,5 m/s ²



TECHNICKÁ DATA Úhlová bruska	AGV 12-125 X (220-240 V)	AGV 12-125 X PD (220-240 V)
Výrobní číslo	4280 86 01... ... 000001-999999	4332 41 01... ... 000001-999999
Jmenovitý příkon	1200 W	1200 W
Jmenovité otáčky	11000 min ⁻¹	11000 min ⁻¹
Průměr brusného kotouče	125 mm	125 mm
Tloušťka brusného kotouče	6 mm (1/4")	6 mm (1/4")
Závít vřetene	M 14	M 14
Hmotnost podle prováděcího předpisu EPTA 01/2003	2,4 kg	2,4 kg
Informace o hluku / vibracích Naměřené hodnoty odpovídají EN 60 745. V třídě A posuzovaná hladina hluku přístroje činí typicky: Hladina akustického tlaku (K=3dB(A)) Hladina akustického výkonu (K=3dB(A)) Používejte chrániče sluchu !	89,0 dB(A) 100,0 dB(A)	89,0 dB(A) 100,0 dB(A)
Celkové hodnoty vibrací (vektorový součet tří směrů) zjištěnéve smyslu EN 60745.		
Broušení povrchu: Hodnota vibračních emisí a _h	7,8 m/s ²	7,8 m/s ²
Kolisavost K=	1,5 m/s ²	1,5 m/s ²
Broušení pomocí brusného listu: Hodnota vibračních emisí a _h	3,6 m/s ²	3,6 m/s ²
Kolisavost K=	1,5 m/s ²	1,5 m/s ²

VAROVÁNÍ

Úroveň chvění uvedená v tomto návodu byla naměřena podle metody měření stanovené normou EN 60745 a může být použita pro porovnání elektrického nářadí. Hodí se také pro průběžný odhad zatížení chvěním.

Uvedená úroveň chvění představuje hlavní účely použití elektrického nářadí. Jestliže se ale elektrické nářadí používá pro jiné účely, s odlišnými nástroji nebo s nedostatečnou údržbou, může se úroveň chvění odlišovat. To může značně zvýšit zatížení chvěním během celé pracovní doby. Pro přesný odhad zatížení chvěním se musí také zohlednit časy, během kterých je přístroj vypnutý nebo kdy je síce v chodu, ale skutečně se s ním nepracuje. To může zatížení chvěním během celé pracovní doby značně snížit.

Stanovte doplňková bezpečnostní opatření pro ochranu obsluhy před účinky chvění jako například: technická údržba elektrického nářadí a nástrojů, udržování teploty rukou, organizace pracovních procesů.

VAROVÁNÍ! Seznamte se se všemi bezpečnostními pokyny a sice i s pokyny v příložené brožurě. Zanedbání při dodržování varovných upozornění a pokynů mohou mít za následek úder elektrickým proudem, požár a/nebo těžká poranění. **Všechna varovná upozornění a pokyny do budoucna uschovejte.**

SPECIÁLNÍ BEZPEČNOSTNÍ UPOZORNĚNÍ

Společná varovná upozornění k broušení, smirkování, práci s drátěnými kartáči, leštění a dělení:

a) Toto elektronářadí se používá jako bruska, bruska brusným papírem, kartáčovačka, dělicí bruska.. Dbejte všech varovných upozornění, pokynů, zobrazení a údajů, jež jste s elektronářadím obdrželi. Pokud následující pokyny nedodržíte, může to vést k úderu elektrickým proudem, požáru nebo těžkým poraněním.

b) Toto elektronářadí není vhodné k leštění. Použití, pro něž není elektronářadí určeno, mohou způsobit ohrožení a zranění.

c) Nepoužívejte žádné příslušenství, které není výrobem speciálně pro toto elektronářadí určeno a doporučeno. Pouze to, že můžete příslušenství na Vaše elektronářadí upevnit, nezaručuje bezpečné použití.

d) Přípustný počet otáček vkládaného nástroje musí být minimálně stejný vysoký jako maximální počet otáček uvedený na elektrickém nářadí. Příslušenství, které se točí rychleji, než je přípustné, se může rozbit a rozletět do okolí.

e) Vnější rozměr a tloušťka nasazovacího nástroje musí odpovídat rozměrovým údajům Vašeho elektronářadí. Špatně dimenzované nasazovací nástroje nemohou být dostatečně stíněny nebo kontrolovány.

f) Brusné kotouče, přírby, brusné talíře nebo jiné příslušenství musí přesně lícovat na brusné vřeteně Vašeho elektronářadí. Nasazovací nástroje, které přesně nelicují na brusné vřeteně elektronářadí, se nerovnoměrně točí, velmi silně vibrují a mohou vést ke ztrátě kontroly.

g) Poškozené nasazovací nástroje většinou v této době testování prasknou.

h) Noste osobní ochranné vybavení. Podle aplikace použijte ochranu celého obličeje, ochranu očí nebo ochranné brýle. Taktéž adekvátně noste ochrannou masku proti prachu, ochranu sluchu, ochranné rukavice nebo speciální zástěru, jež Vás ochrání před malými částicemi brusiva a materiálu. Oči mají být chráněny před odletujícími cizími tělisky, jež vznikají při různých aplikacích. Protiprachová maska či respirátor musejí při používání vznikající prach odfiltrovat. Pokud jste dlouho vystaveni silnému hluku, můžete utrpět ztrátu sluchu.

i) Dbejte u ostatních osob na bezpečnou vzdálenost k Vaší pracovní oblasti. Každý, kdo vstoupí do této pracovní oblasti, musí nosit osobní ochranné vybavení. Úlomky obrobku nebo uložených nasazovacích nástrojů mohou odletnout a způsobit poranění i mimo přímou pracovní oblast.

j) Pokud provádíte práce, při kterých může nasazovací nástroj zasáhnout skrytá elektrická vedení nebo vlastní síťový kabel, pak uchopte elektronářadí pouze na izolovaných plochách držadla. Kontakt řezného nástroje s vedením pod napětím může vést k přenosu napětí na kovové části přístroje a k úderu elektrickým proudem.

k) Držte síťový kabel daleko od otáčejících se nasazovacích nástrojů. Když ztratíte kontrolu nad strojem, může být přerušen nebo zachycen síťový kabel a Vaše ruka nebo paže se může dostat do otáčejícího se nasazovacího nástroje.

l) Nikdy neodkládejte elektronářadí dříve, než se nasazovací nástroj dostal zcela do stavu klidu. Otáčející se nasazovací nástroj se může dostat do kontaktu s odkládací plochou, čímž můžete ztratit kontrolu nad elektronářadím.

m) Nenechte elektronářadí běžet po dobu, co jej nesete. Váš oděv může být náhodným kontaktem s otáčejícím se nasazovacím nástrojem zachycen a nasazovací nástroj se může zavrtat do Vašeho těla.

n) Čistíte pravidelně větrací otvory Vašeho elektronářadí. Ventilátor motoru vtahuje do tělesa prach a silné nahromadění kovového prachu může způsobit elektrická rizika.

o) Nepoužívejte elektronářadí v blízkosti hořlavých materiálů. Jiskry mohou tyto materiály zapálit.

p) Nepoužívejte žádné nasazovací nástroje, které vyžadují kapalně chladičí prostředky. Použití vody nebo jiných kapalných chladičích prostředků může vést k úderu elektrickým proudem.

Zpětný ráz a odpovídající varovná upozornění

Zpětný ráz je náhlá reakce v důsledku zaseknutého nebo zablokovaného otáčejícího se nasazovacího nástroje, jako je brusný kotouč, brusný talíř, drátěný kartáč atd. Zaseknutí nebo zablokování vede k náhlému zastavení rotujícího nasazovacího nástroje. Tím nekontrolované elektronářadí akceleruje v místě zablokování proti směru otáčení nasazovacího nástroje.

Pokud se například zpřičí nebo zablokuje brusný kotouč v obrobku, může se hrana brusného kotouče, která se zanojuje do obrobku, zakusnout a tím brusný kotouč vylomit nebo způsobit zpětný ráz. Brusný kotouč se potom pohybuje k nebo od obsluhující osoby, podle směru otáčení kotouče na místě zablokování. Při tom mohou brusné kotouče i prasknout.

Zpětný ráz je důsledkem nesprávného nebo chybného použití elektronářadí. Lze mu zabránit vhodnými preventivními opatřeními, jak je následně popsáno.

a) Držte elektronářadí dobře pevně a uveďte Vaše tělo a paže do polohy, ve které můžete zachytit síly zpětného rázu. Je-li k dispozici, používejte vždy přidavnou rukojeť, abyste měli co největší možnou kontrolu nad silami zpětného rázu nebo reaktivních momentů při rozběhu. Obsluhující osoba může vhodnými preventivními opatřeními zvládnout síly zpětného rázu a reaktivního momentu.

b) Nikdy nedávejte Vaši ruku do blízkosti otáčejících se nasazovacích nástrojů. Nasazovací nástroj se při zpětném rázu může pohybovat přes Vaši ruku.

c) Vyhybte se Vaším tělem oblasti, kam se bude elektronářadí při zpětném rázu pohybovat. Zpětný ráz vhání elektronářadí v místě zablokování do opačného směru k pohybu brusného kotouče.

d) Zvlášť opatrně pracujte v místech rohů, ostrých hran apod. Zabraňte, aby se nasazovací nástroj odrazil od obrobku a vzpříčil. Rotující nasazovací nástroj je u rohů, ostrých hran a pokud se odrazí náchylný na vzpříčení se. Toto způsobí ztrátu kontroly nebo zpětný ráz.

e) Nepoužívejte řetězový ani ozubený pilový list. Takovéto vložené nástroje často způsobují zpětný ráz nebo ztrátu kontroly nad elektrickým přístrojem.

Zvláštní varovná upozornění k broušení a dělení

a) Používejte výhradně pro Vaše elektronářadí schválená brusná tělesa a pro tato brusná tělesa určený ochranný kryt. Brusná tělesa, která nejsou určena pro toto elektronářadí, nemohou být dostatečně stíněna a jsou nespolehlivá.

b) Brusné kotouče s vypouklým středem se musí namontovat tak, aby jejich brusná plocha nepřesahovala přes plochu



okraje ochranného krytu. Neodborně namontovaný brusný kotouč, který přechází přes plochu okraje ochranného krytu, nemůže být dostatečně chráněn.

c) Používejte vždy ten ochranný kryt, jež je určen pro použití druh brusného tělesa. Ochranný kryt musí být bezpečně na elektronářadí namontován a nastaven tak, aby bylo dosaženo maximální míry bezpečnosti, tzn. nejmenší možný díl brusného tělesa ukazuje nekrytý k obsluhující osobě. Ochranný kryt má obsluhující osobu chránit před úlomkou a případným kontaktem s brusným tělesem.

d) Brusná tělesa smějí být použita pouze pro doporučené možnosti nasazení. Např.: nikdy nebruste boční plochou dělicího kotouče. Dělicí kotouče jsou určeny k úběru materiálu hranou kotouče. Boční působení síly na tato brusná tělesa je může rozlámat.

e) Používejte vždy nepoškozené upínací příruby ve správné velikosti a tvaru pro Vámi zvolený brusný kotouč. Vhodné příruby podpirají brusný kotouč a zmiřují tak nebezpečí prasknutí brusného kotouče. Příruby pro dělicí kotouče se mohou odlišovat od přírub pro jiné brusné kotouče.

f) Nepoužívejte žádné opotřebované brusné kotouče od většího elektronářadí. Brusné kotouče pro větší elektronářadí nejsou dimenzovány pro vyšší otáčky menších elektronářadí a mohou prasknout.



Další zvláštní varovná upozornění k dělení

a) Zabraňte zablokování dělicího kotouče nebo příliš vysokému přitlaku. Neprovádějte žádné nadměrně hluboké řezy. Přetížení dělicího kotouče zvyšuje jeho namáhání a náchylnost ke vzpříčení nebo zablokování a tím možnost zpětného rázu nebo prasknutí brusného tělesa.

b) Vyhýbejte se oblasti před a za rotujícím dělicím kotoučem. Pokud pohybujete dělicím kotoučem v obrobku pryč od sebe, může být v případě zpětného rázu elektronářadí s otáčejícím se kotoučem vymrštnuto přímo na Vás.

c) Jestliže dělicí kotouč uvízne nebo práci přerušíte, elektronářadí vypněte a vydržte v klidu než se kotouč zastaví. Nikdy se nepokoušejte ještě běžící dělicí kotouč vytáhnout z řezu, jinak může následovat zpětný ráz. Zjistíte a odstraňte příčinu uvíznutí.

d) Elektronářadí opět nezapínajte, dokud se nachází v obrobku. Nechte dělicí kotouč nejprve dosáhnout svých plných otáček, než budete v řezu opatrně pokračovat. Jinak se může kotouč zaseknout, vyskočit z obrobku nebo způsobit zpětný ráz.

e) Desky nebo velké obrobky podepřete, aby se zabránilo riziku zpětného rázu od sevráného dělicího kotouče. Velké obrobky se mohou pod svou vlastní hmotností prohnout. Obrobek musí být podepřen na obou stranách a to jak v blízkosti dělicího řezu tak i na okraji.

f) Buďte obzvlášť opatrní u “kapsovitých řezů” do stávajících stěn nebo jiných míst, kam není vidět. Zanořující se dělicí kotouč může při zařazení do plynových, vodovodních či elektrických vedení nebo jiných objektů způsobit zpětný ráz.

Zvláštní varovná upozornění ke smirkování

a) Nepoužívejte žádné předdimenzované brusné listy, ale dodržujte údaje výrobce k velikosti brusných listů. Brusné listy, které vyčnívají přes brusný talíř, mohou způsobit poranění a též vést k zablokování, roztržení brusných listů nebo ke zpětnému rázu.

Zvláštní varovná upozornění k práci s drátěnými kartáči

a) Přihlédněte ke skutečnosti, že drátěný kartáč ztrácí kousky drátu i při běžném provozu. Nezatěžujte dráty proto příliš vysokým přitlačným tlakem. Odletující kousky drátu mohou lehce proniknout skrz tenký oděv a/nebo kůži.

b) Je-li doporučen ochranný kryt, zabraňte, aby se ochranný kryt a drátěný kartáč mohli dotýkat. Talířové a hrncové kartáče mohou díky přitlaku a odstředivým silám zvětšit svůj průměr.

Ve venkovním prostředí musí být zásuvky vybaveny proudovým chráničem (FI, RCD, PRCD). Je to vyžadováno instalačním předpisem pro toto el.zařízení. Dodržujte ho při používání tohoto nářadí, prosím. Pokud stroj běží, nesmí být odstraňovány třísky nebo odštěpky.

Stroj zapínat do zásuvky pouze když je vypnutý.

Nesahejte do nebezpečného prostoru běžícího stroje.

Vždy používejte doplňkové madlo.

Při broušení a řezání vždy používejte ochranný kryt kotouče.

Stroj okamžitě vypněte, zjistíte-li neobvyklé vibrace nebo jiné problémy. Stroj přezkoušejte, abyste zjistili příčinu problémů.

Kotouče používejte a skladujte podle doporučení výrobce.

Při broušení kovů odletují jiskry. Dbejte, aby nedošlo k poškození osob. V blízkosti (kam zaletují jiskry) se nesmí nacházet žádné hořlavé látky - nebezpečí požáru. Nepoužívejte odsavač prachu.

Stroj držte při práci tak, aby jiskry a brusný prach odletovaly od těla.

Při řezání kamene je předepsáno použití vodících saní.

Upínací matice kotouče musí být před spuštěním stroje utažena.

Obráběný kus musí být řadně upnut, není-li dostatečně těžký.

Při extrémních pracovních podmínkách (např. při hladkém vybrušování kovů opěrným kotoučem a brusným kotoučem z vulkánfibru) se uvnitř ruční úhlové brusky mohou nahromadit nečistoty. Za těchto pracovních podmínek je bezpodmínečně nutné důkladně vyčistit vnitřní prostor a zbavit jej kovových usazenin a zařadit před brusku automatický spínač o obvodu diferenciální ochrany. Po aktivaci tohoto spínače se musí úhlová bruska zastavit k opravě servisnímu středisku.

U brusiva vybaveného podložkou se závitem zajistit, aby byl závit dostatečně dlouhý pro hřídel.

Pro řezací práce použijte uzavřený ochranný kryt z programu příslušenství.

OBLAST VYUŽITÍ

Úhlová bruska je použitelná k dělení a hrubování brusným kotoučem u mnohých materiálů jako například kovů nebokamene a také k broušení plastovým brusným kotoučem apráci s ocelovým drátěným kartáčem. Ve sporném případě seřídte pokyny výrobce příslušenství. Toto zařízení lze používat jen pro uvedený účel.

PŘIPOJENÍ NA SÍŤ

Připojit pouze do jednofázové střídavé sítě o napětí uvedeném na štítku. Lze připojit i do zásuvky bez ochranného kontaktu neboť spotřebič je třídy II.

CE-PROHLÁŠENÍ O SHODĚ

Výhradně na vlastní odpovědnost prohlašujeme, že se výrobek popsaný v „Technických údajích“ shoduje se všemi relevantními předpisy směrnice 2011/65/EU (RoHS), 2004/108/ES, 2006/42/ES a s následujícími harmonizovanými normativními dokumenty:

EN 60745-1:2009

EN 60745-2-3:2011

EN 55014-1:2006 + A1:2009 + A2:2011

EN 55014-2:1997 + A1:2001 + A2:2008

EN 61000-3-2:2006 + A1:2009 + A2:2009

EN 61000-3-3:2008



Winnenden, 2013-05-07

Alexander Krug / Managing Director
Zplnomocněn k sestavování technických podkladů.

Techtronic Industries GmbH
Max-Eyth-Straße 10, 71364 Winnenden, Germany

ÚDRŽBA

Větrací štěrbinu nářadí udržujeme stále čisté.

Vzhledem k nebezpečí zkratu se nesmí dostat do odvětrávací mezery kovy.

Používat výhradně příslušenství Milwaukee a náhradní díly Milwaukee. Díly jejichž výměny nebyla popsána, nechte vyměnit v autorizovaném servisu (viz: Záruky / Seznam servisních míst)

V případě potřeby si můžete v servisním centru pro zákazníky nebo přímo od firmy Techtronic Industries GmbH, Max-Eyth-Straße 10, 71364 Winnenden, Německo vyžádat schematický náčrt jednotlivých dílů přístroje, když uvedete typ přístroje a šestmístné číslo na výkonovém štítku.

ELEKTRONIKA

AGV 12-125 X, AGV 12-125 XPD

Elektronicky řízený měkký rozběh pro bezpečnější použití stroje zabraňuje i trhavému pohybu při rozběhu stroje.

Ochranný spínač zabrání znovu rozběhnutí stroje při obnovení napětí v síti po předchozím výpadku. Nejprve je nutné dát spínač do polohy vypnuto a potom Zapnuto.

Vrtačka je vybavena ochranou proti přetížení a proti zpětnému nárazu a při přetížení se automaticky vypne. Věnujte prosím pozornost tomu, že se vrtačka při snížení zatížení na normální hodnotu opět zapne a najede na původní počet pracovních otáček. Po dosažení počtu pracovních otáček je vrtačka opět připravena k použití.

SYMBOLY



Před spuštěním stroje si pečlivě přečtěte návod k používání.



POZOR! VAROVÁNÍ! NEBEZPEČÍ!



Při práci se strojem neustále nosit ochranné brýle.



Před zahájením veškerých prací na stroji vytáhnout síťovou zástrčku ze zásuvky.



Příslušenství není součástí dodávky, viz program příslušenství.



Elektrické nářadí nevyhazujte do komunálního odpadu! Podle evropské směrnice 2002/96/EC o nakládání s použitými elektrickými a elektronickými zařízeními a odpovídajících ustanovení právních předpisů jednotlivých zemí se použítá elektrická nářadí musí sbírat odděleně od ostatního odpadu a podrobit ekologicky šetrnému recyklování.



Třída ochrany II, elektrické nářadí, u kterého ochrana proti úrazu elektrickým proudem nezávisí pouze na základní izolaci, nýbrž i na přijetí dalších ochranných opatření, jako provedení s dvojitou nebo zesílenou izolací.



**Slov**

TECHNICKÉ ÚDAJE Uhlová brúska	AG 12-115 X (220-240 V)	AG 12-115 X (110-120 V)	AG 12-125 X (220-240 V)
Výrobné číslo	4281 36 01... 4280 51 01... 4280 61 01... ... 000001-999999	4281 41 01... 4280 66 01... ... 000001-999999	4280 78 01... ... 000001-999999
Menovitý príkon	1200 W	1200 W	1200 W
Menovitý počet obrátok	11000 min ⁻¹	11000 min ⁻¹	11000 min ⁻¹
Priemer brúsneho kotúča	115 mm	115 mm	125 mm
Hrúbka brúsneho kotúča	6 mm (1/4")	6 mm (1/4")	6 mm (1/4")
Závit vretena	M 14	M 14	M 14
Hmotnosť podľa vykonávacieho predpisu EPTA 01/2003	2,3 kg	2,3 kg	2,3 kg
Informácia o hluku / vibráciách Namerané hodnoty určené v súlade s EN 60 745. V triede A posudzovaná hladina hluku prístroja činí typicky: Hladina akustického tlaku (K=3dB(A)) Hladina akustického výkonu (K=3dB(A)) Používajte ochranu sluchu!	89,0 dB(A) 100,0 dB(A)	89,5 dB(A) 100,5 dB(A)	89,0 dB(A) 100,0 dB(A)
Celkové hodnoty vibrácií (vektorový súčet troch smerov) zistených zmysle EN 60745.			
Brúsenie povrchu: Hodnota vibračných emisií a _h	7,8 m/s ²	6,8 m/s ²	7,8 m/s ²
Kolisavosť K=	1,5 m/s ²	1,5 m/s ²	1,5 m/s ²
Brúsenie pomocou brúsneho listu: Hodnota vibračných emisií a _h	3,6 m/s ²	4,5 m/s ²	3,6 m/s ²
Kolisavosť K=	1,5 m/s ²	1,5 m/s ²	1,5 m/s ²

TECHNICKÉ ÚDAJE Uhlová brúska	AGV 12-125 X (220-240 V)	AGV 12-125 X PD (220-240 V)
Výrobné číslo	4280 86 01... ... 000001-999999	4332 41 01... ... 000001-999999
Menovitý príkon	1200 W	1200 W
Menovitý počet obrátok	11000 min ⁻¹	11000 min ⁻¹
Priemer brúsneho kotúča	125 mm	125 mm
Hrúbka brúsneho kotúča	6 mm (1/4")	6 mm (1/4")
Závit vretena	M 14	M 14
Hmotnosť podľa vykonávacieho predpisu EPTA 01/2003	2,4 kg	2,4 kg
Informácia o hluku / vibráciách Namerané hodnoty určené v súlade s EN 60 745. V triede A posudzovaná hladina hluku prístroja činí typicky: Hladina akustického tlaku (K=3dB(A)) Hladina akustického výkonu (K=3dB(A)) Používajte ochranu sluchu!	89,0 dB(A) 100,0 dB(A)	89,0 dB(A) 100,0 dB(A)
Celkové hodnoty vibrácií (vektorový súčet troch smerov) zistených zmysle EN 60745.		
Brúsenie povrchu: Hodnota vibračných emisií a _h	7,8 m/s ²	7,8 m/s ²
Kolisavosť K=	1,5 m/s ²	1,5 m/s ²
Brúsenie pomocou brúsneho listu: Hodnota vibračných emisií a _h	3,6 m/s ²	3,6 m/s ²
Kolisavosť K=	1,5 m/s ²	1,5 m/s ²

POZOR

Úroveň vibrácií uvedená v týchto pokynoch bola nameraná meracou metódou, ktorú stanovuje norma EN 60745 a je možné ju použiť na vzájomné porovnanie elektrického náradia. Hodí sa aj na predbežné posúdenie kmitavého namáhania.

Uvedená úroveň vibrácií reprezentuje hlavné aplikácie elektrického náradia. Ak sa však elektrické náradie používa pre iné aplikácie, s odlišnými vloženými nástrojmi alebo s nedostatočnou údržbou, môže sa úroveň vibrácií líšiť. Toto môže kmitavé namáhanie v priebehu celej pracovnej doby podstatne zvýšiť.

Pre presný odhad kmitavého namáhania by sa mali tiež zohľadniť doby, v ktorých je náradie vypnuté alebo je síce v chode, ale v skutočnosti sa nepoužíva. Toto môže kmitavé namáhanie v priebehu celej pracovnej doby zreteľne redukovať.

Stanovte dodatočné bezpečnostné opatrenia pre ochranu obsluhy pred účinkami vibrácií, ako napríklad: údržba elektrického náradia a vložených nástrojov, udržiavanie teploty rúk, organizácia pracovných postupov.

Slovensky

⚠ POZOR! Zoznámte sa so všetkými bezpečnostnými pokynmi a síce aj s pokynmi v priloženej brožúre. Zanedbanie dodržiavania Výstražných upozornení a pokynov uvedených v nasledujúcom texte môže mať za následok zásah elektrickým prúdom, spôsobiť požiar a/alebo ťažké poranenie. **Tieto Výstražné upozornenia a bezpečnostné pokyny starostlivo uschovajte na budúce použitie.**

ŠPECIÁLNE BEZPEČNOSTNÉ POKYNY

Bezpečnostné pokyny pre brúsenie, brúsenie brúsnym papierom, pre prácu s drôtenou kefou, leštenie a rezanie:

a) Toto ručné elektrické náradie sa používa ako brúska, ako brúska na brúsenie skleneným papierom, ako drôtená kefa a ako náradie na rezanie. Respektujte všetky výstražné upozornenia, pokyny, obrázky a údaje, ktoré ste dostali s týmto ručným elektrickým náradím. Ak by ste nedodržali nasledujúce pokyny, mohlo by to mať za následok zásah elektrickým prúdom, vznik požiaru a/alebo vážne poranenie.

b) Toto ručné elektrické náradie nie je vhodné na leštenie. Tieto spôsoby použitia, pre ktoré nebolo toto ručné elektrické náradie určené, môžu znamenať ohrozenie zdravia a zapríčiniť poranenia.

c) Nepoužívajte žiadne také príslušenstvo, ktoré nebolo výrobcom určené a odporúčané špeciálne pre toto ručné elektrické náradie. Okolnosť, že príslušenstvo sa dá na ručné elektrické náradie upnúť, ešte neznamená, že to zaručuje jeho bezpečné používanie.

d) Prípustné otáčky pracovného nástroja musia byť minimálne také vysoké ako najvyššie otáčky uvedené na elektrickom náradí. Príslušenstvo, ktoré sa otáča rýchlejšie, sa môže zlomiť a rozletieť.

e) Vonkajší priemer a hrúbka pracovného nástroja musia zodpovedať rozmerovým údajom uvedeným na ručnom elektrickom náradí. Nesprávne dimenzované pracovné nástroje nemôžu byť dostatočne odložené a kontrolované.

f) Brúsne kotúče, príruby, brúsne taniere alebo iné príslušenstvo musia presne pasovať na brúsne vreteno Vášho ručného elektrického náradia. Pracovné nástroje, ktoré presne nepasujú na brúsne vreteno ručného elektrického náradia, sa otáčajú nerovnomerne a intenzívne vibrujú, čo môže mať za následok stratu kontroly nad náradím.

g) Nepoužívajte žiadne poškodené pracovné nástroje. Pred každým použitím tohto ručného elektrického náradia skontrolujte, či nie sú pracovné nástroje, ako napr. brúsne kotúče, vystrbené alebo vylomené, či nemajú brúsne taniere vylomené miesta, trhliny alebo miesta intenzívneho opotrebovania, či nie sú na drôtených kefách uvoľnené alebo poľamané dróty. Keď ručné elektrické náradie alebo pracovný nástroj spadli na zem, prekontrolujte, či nie sú poškodené, alebo použite nepoškodený pracovný nástroj. Keď ste prekontrolovali a upli pracovný nástroj, zabezpečte, aby ste neboli v rovine rotujúceho nástroja, a aby sa tam ani nenachádzali žiadne iné osoby, ktoré sú v blízkosti Vášho pracoviska, a nechajte ručné elektrické náradie bežať jednu minútu na maximálne obrátky. Poškodené pracovné nástroje sa občasne počas tejto doby testovania zlomia.

h) Používajte osobné ochranné prostriedky. Podľa druhu použitia náradia používajte ochranný štít na celú tvár, štít na oči alebo ochranné okuliare. Pokiaľ je to primerané, používajte ochrannú dýchaciu masku, chrániče sluchu, pracovné rukavice alebo špeciálnu zásteru, ktorá Vás uchráni pred odletujúcimi drobnými čiastočkami brusiva a obrábaného materiálu.

Predovšetkým oči treba chrániť pred odletujúcimi cudzími teleskami, ktoré vznikajú pri rôznom spôsobe používania náradia. Ochrana proti prachu alebo ochranná dýchacia maska musia predovšetkým odfiltrovať konkrétny druh prachu, ktorý vzniká pri danom druhu použitia náradia. Keď je človek dlhšiu dobu vystavený hlasnému hluku, môže utrpieť stratu sluchu.

i) Zabezpečte, aby sa iné osoby nachádzali v bezpečnej vzdialenosti od Vášho pracoviska. Každá osoba, ktorá vstúpi do pracovného dosahu náradia, musí byť vybavená osobnými ochrannými pomôckami. Úlomky obrobku alebo zlomený pracovný nástroj môžu odletieť a spôsobiť poranenie osôb aj mimo priameho pracoviska.

j) Elektrické náradie držte za izolované plochy rukoväti pri vykonávaní takej práce, pri ktorej by mohol rezací nástroj natrafiť na skryté elektrické vedenia alebo zasiahnuť vlastnú prírodnú šnúru náradia. Kontakt rezného nástroja s vedením pod napätím môže viesť k prenosu napätia na kovové časti prístroja a k úrazu elektrickým prúdom.

k) Zabezpečte, aby sa prírodná šnúra nenachádzala v blízkosti rotujúcich pracovných nástrojov náradia. Ak stratíte kontrolu nad ručným elektrickým náradím, môže sa prerušiť alebo zachytiť prírodná šnúra a Vaša ruka a Vaše predlaktie sa môžu dostať do rotujúceho pracovného nástroja.

l) Nikdy neodkladajte ručné elektrické náradie skôr, ako sa pracovný nástroj úplne zastaví. Rotujúci pracovný nástroj sa môže dostať do kontaktu s odkladacou plochou, následkom čoho by ste mohli stratiť kontrolu nad ručným elektrickým náradím.

m) Nikdy nemajte ručné elektrické náradie zapnuté vtedy, keď ho prenášate na iné miesto. Náhodným kontaktom Vašich vlasov alebo Vášho oblečenia s rotujúcim pracovným nástrojom by sa Vám pracovný nástroj mohol zavrtáť do tela.

n) Pravidelne čistite vetracie otvory svojho ručného elektrického náradia. Ventilátor motora vŕtá juho do telesa náradia prach a veľké nahromadenie kovového prachu by mohlo spôsobiť vznik nebezpečného zásahu elektrickým prúdom.

o) Nepoužívajte toto ručné elektrické náradie v blízkosti horľavých materiálov. Odletujúce iskry by mohli tieto materiály zapáliť.

p) Nepoužívajte žiadne také pracovné nástroje, ktoré potrebujú chladenie kvapalinou. Použitie vody alebo iných tekutých chladiacich prostriedkov môže mať za následok zásah elektrickým prúdom.

Spätný ráz a príslušné výstražné upozornenia

Spätný ráz je náhlu reakciou náradia na vzpríčený, zaseknutý alebo blokujúci pracovný nástroj, napríklad brúsný kotúč, brúsny tanier, drôtená kefa a pod. Zaseknutie alebo zablokovanie vedie k náhlemu zastaveniu rotujúceho pracovného nástroja. Takýmto spôsobom sa nekontrolované ručné elektrické náradie rozkrúti na zablokovanom mieste proti smeru otáčania pracovného nástroja.

Keď sa napríklad brúsný kotúč vzpríči alebo zablokuje v obrobku, môže sa hrana brúsneho kotúča, ktorá je zapichnutá do obrobku, zachytiť v materiáli a tým sa vylomiť z brúsneho taniera, alebo spôsobiť spätý ráz náradia. Brúsný kotúč sa potom pohybuje smerom k osobe alebo smerom preč od nej podľa toho, aký bol smer otáčania kotúča na mieste zablokovania. Brúsne kotúče sa môžu v takomto prípade aj rozlomiť.

Spätný ráz je následkom nesprávneho a chybneho používania ručného elektrického náradia. Vhodnými preventívnymi opatreniami, ktoré popisujeme v nasledujúcom texte, mu možno zabrániť.

a) Ručné elektrické náradie vždy držte pevne a svoje telo a ruky udržiavajte vždy v takej polohe, aby ste vydržali prípadný spätý ráz náradia. Pri každej práci používajte prídavnú



Slov

rukovať, ak ju máte k dispozícii, aby ste mali čo najväčšiu kontrolu nad silami spätného rázu a reakčnými momentmi pri rozbehu náradia. Pomocou vhodných opatrení môže obsluhujúca osoba sily spätného rázu a sily reakčných momentov zvládnuť.

b) Nikdy nedávajte ruku do blízkosti rotujúceho pracovného nástroja. Pri spätnom ráze by Vám mohol pracovný nástroj zasiahnuť ruku.

c) Nemajte telo v priestore, do ktorého by sa mohlo ručné elektrické náradie v prípade spätného rázu vymrštiť. Spätý ráz vymršti ručné elektrické náradie proti smeru pohybu brúsneho kotúča na mieste blokovania.

d) Mimoriadne opatne pracujte v oblasti rohov, ostrých hrán a pod. Zabráňte tomu, aby obrobok vymrštil pracovný nástroj proti Vám, alebo aby sa v ňom pracovný nástroj zablokoval. Rotujúci pracovný nástroj má sklon zablokovať sa v rohoch, na ostrých hranách alebo vtedy, keď je vyhodnený. To spôsobí stratu kontroly nad náradím alebo jeho spätný ráz.

e) Nepoužívajte žiadny reťazový alebo ozubený pilový list. Takého pracovného nástroja spôsobujú často spätý ráz alebo stratu kontroly nad elektrickým náradím.

Osobitné bezpečnostné predpisy pre brúsenie a rezanie

a) Používajte výlučne brúsne telesá schválené pre Vaše ručné elektrické náradie a ochranný kryt určený pre konkrétne zvolené brúsne teleso. Brúsne telesá, ktoré neboli schválené pre dané ručné elektrické náradie, nemôžu byť dostatočne odčlenené a nie sú bezpečné.

b) Brúsne kotúče s vypuklým stredom sa musia tak namontovať, aby ich brúsna plocha nepresahovala cez plochu okraja ochranného krytu. Neodborne namontovaný brúsny kotúč, ktorý prečnieva cez plochu okraja ochranného krytu, nemôže byť dostatočne chránený.

c) Používajte vždy ochranný kryt, ktorý je určený pre používanie druh brúsneho telesa. Ochranný kryt musí byť upevnený priamo na ručnom elektrickom náradí a musí byť nastavený tak, aby sa dosiahla maximálna miera bezpečnosti, t. j. brúsne teleso nesmie byť otvorené proti obsluhujúcej osobe. Ochranný kryt musí chrániť obsluhujúcu osobu pred útokmi brúsneho telesa a obrobku a pred náhodným kontaktom s brúsnyim telesom.

d) Brúsne telesá sa smú používať len pre príslušnú odporúčanú oblasť používania. Napr.: Nikdy nesmiete brúsiť bočnou plochou rezacieho kotúča. Rezacie kotúče sú určené na uberanie materiálu hranou kotúča. Pôsobenie bočnej sily na tento kotúč môže spôsobiť jeho zlomenie.

e) Vždy používajte pre vybraný typ brúsneho kotúča nepoškodenú upínaču prírubu správneho rozmeru a tvaru. Vhodná príruha podopiera brúsny kotúč a znižuje nebezpečenstvo zlomenia brúsneho kotúča. Prírubby pre rezacie kotúče sa môžu odlišovať od prírub pre ostatné brúsne kotúče.

f) Nepoužívajte žiadne opotrebované brúsne kotúče z väčšieho ručného elektrického náradia. Brúsne kotúče pre väčšie ručné elektrické náradie nie sú dimenzované pre vyššie obrátky menších ručných elektrických náradí a môžu sa rozlomiť.

Ďalšie osobitné výstražné upozornenia k rezacím kotúčom

a) Vyhýbajte sa zablokovaniu rezacieho kotúča alebo použitiu príliš veľkého prítlačku. Nevykonávajte žiadne nadmierne hlboké rezy. Pretáženie rezacieho kotúča zvyšuje jeho namáhanie a náchylnosť na vzpriecenie alebo zablokovanie a tým zvyšuje aj možnosť vzniku spätného rázu alebo zlomenia rezacieho kotúča.

b) Vyhýbajte sa priestoru pred rotujúcim rezacím kotúčom a za ním. Keď pohybuje rezacím kotúčom v obrobku smerom od seba, v prípade spätného rázu môže byť ručné elektrické náradie vymrštené rotujúcim kotúčom priamo na Vás.

c) Ak sa rezací kotúč zablokuje, alebo ak prerušíte prácu, ručné elektrické náradie vypnite a pokojne ho držte dovedy, kým sa rezací kotúč úplne zastaví. Nepokúšajte sa vyberať rezací kotúč z rezu vtedy, keď ešte beží, pretože by to mohlo mať za následok vyvolanie spätného rázu. Zistite príčinu zablokovania rezacieho kotúča a odstráňte ju.

d) Nikdy nezapínajte znova ručné elektrické náradie dovedy, kým sa rezací kotúč nachádza v obrobku. Skôr ako budete opatrne pokračovať v reze, počkajte, kým dosiahne rezací kotúč maximálny počet obrátok. V opačnom prípade sa môže rezací kotúč zaseknúť, vyskočiť z obrobku alebo vyvolať spätný ráz.

e) Veľké platne alebo veľkorozmerné obrobky pri rezaní podoprite, aby ste znížili riziko spätného rázu zablokovaním rezacieho kotúča. Veľké obrobky sa môžu prehnúť následkom vlastnej hmotnosti. Obrobok treba podoprieť na oboch stranách, a to aj v blízkosti rezu aj na hrane.

f) Mimoriadne opatrný budete pri rezaní výrezov do neznámych stien alebo do iných neprehľadných miest. Zapichovaný rezací kotúč môže pri zarezaní do plynového alebo vodovodného potrubia, do elektrického vedenia alebo iných objektov spôsobiť spätný ráz.

Osobitné bezpečnostné pokyny pre brúsenie brúsnyim papierom

a) Nepoužívajte žiadne nadrozmerné brúsne listy, ale dodržiavajte údaje výrobcu o rozmeroch brúsnych listov. Brúsne listy, ktoré presahujú okraj brúsneho taniera, môžu spôsobiť poranenie a viesť k zablokovaniu, alebo k roztrhnutiu brúsnych listov alebo k spätnému rázu.

Osobitné bezpečnostné pokyny pre prácu s drôtenými kefami

a) Prihliadnite ku skutočnosti, že drôtená kefa stráca kúsky drôtu aj pri bežnom použití. Nezaťažujte preto drôty príliš veľkým prítlačným tlakom. Odletujúce kúsky drôtu môžu ľahko preniknúť cez tenký odev a/alebo pokožku.

b) Ak sa odporúča používanie ochranného krytu, zabráňte tomu, aby sa ochranný kryt a drôtená kefa mohli dotýkať. Tanierové a miskovitité drôtené kefy môžu následkom prítlačania a odstredivých síl zväčšiť svoj priemer.

Zásuvky vo vonkajšom prostredí musia byť vybavené ochranným spínačom proti prudovému nárazom (FI, RCD, PRCD). Toto je inštalácia predpis na Vaše elektrické zariadenie. Venujte prosím tomuto pozornosť pri používaní nášho prístroja.

Triesky alebo úlomky sa nesmú odstraňovať za chodu stroja.

Len vypnutý stroj pripájajte do zásuvky.

Nesiahajte do nebezpečnej oblasti bežiaceho stroja.

používať vždy prídavnú rukoväť.

Pri hrubovaní a delení pracovať vždy s ochranným krytom.

Ak za chodu prístroja dôjde k výraznému kmitaniu alebo sa vyskytnú iné nedostatky, okamžite ho vypnite. Stroj skontrolujte, aby ste zistili príčinu.

Brúsny kotúč používať a uskladňovať vždy podľa návodu výrobcu.

Pri brúsení kovov dochádza k lietaniu iskier. Dávajte pozor, aby neboli ohrozené žiadne osoby. Z dôvodu nebezpečenja požiaru nesmú byť v blízkosti (oblasť lietania iskier) žiadne horľavé materiály. Nepoužívať odsávač prachu.



Slov

Prístroj držať vždy tak, aby iskry a brúsny prach lietali smerom od tela. Na rezanie kameňa sú vodiace sane predpisom.

Pred uvedenie stroja do prevádzky musí byť prírubová matica dotiahnutá.

Opracovávaný obrobok musí byť pevne upnutý, pokiaľ nedrží vlastnou váhou. Nikdy nevedte obrobok rukou proti kotúču.

Pri extrémnych pracovných podmienkach (napr. pri hladkom vybrusovaní kovov otvoreným kotúčom a brusným kotúčom z vulkánifibru) sa vnútri ručnej uhlovej brúsky môžu nahromadiť nečistoty. Za týchto pracovných podmienok je bezpodmienečne nutné dôkladne vyčistiť vnútorný priestor a zbaviť ho kovových usadenín a zaradiť pred brúsku automatický spínač v obvode diferenciálnej ochrany. Po aktivovaní tohto spínača sa musí uhlová brúska zaslať do servisu na opravu.

Pri brúsných materiáloch, ktoré majú byť vybavené kotúčom so závitom, je potrebné sa uistiť, či dĺžka závitu pre vreteno je dostatočná.


Pre rezacie práce použite uzatvorený ochranný kryt z programu príslušenstva.

POUŽITIE PODĽA PREDPISOV

Uhlová brúska je použiteľná na delenie a hrubovanie brúsnymkotúčom u mnohých materiálov, ako napr. kovov alebo kameňa, ako aj k brúseniu s plastovým brúsnym kotúčom a k práci s oceľovou drôtenou kefou. V spornom prípade sa riadte pokynmi výrobcov príslušenstva.

Tento prístroj sa smie používať len v súlade s uvedenými predpismi.

SIETOVÁ PRÍPOJKA

 Pripájať len na jednofázový striedavý prúd a na sieťové napätie uvedené na štítku. Pripojenie je možné aj do zásuviek bez ochranného kontaktu, pretože ide o konštrukciu ochranné triedy II.

CE - VYHLÁSENIE KONFORMITY

Výhradne na vlastnú zodpovednosť vyhlasujeme, že výrobok popísaný v „Technických údajoch“ sa zhoduje so všetkými relevantnými predpismi smernice 2011/65/EU (RoHS), 2004/108/ES, 2006/42/ES a nasledujúcimi harmonizujúcimi normatívnymi dokumentmi:

EN 60745-1:2009

EN 60745-2-3:2011

EN 55014-1:2006 + A1:2009 + A2:2011

EN 55014-2:1997 + A1:2001 + A2:2008

EN 61000-3-2:2006 + A1:2009 + A2:2009

EN 61000-3-3:2008



Winnenden, 2013-05-07

Alexander Krug / Managing Director
Splnomocnený zostaviť technické podklady.

Techtronic Industries GmbH
Max-Eyth-Sträbe 10, 71364 Winnenden, Germany

ÚDRZBA

Vetracie otvory udrzovať stále v čistote.

Z dôvodu nebezpečia skratu sa do vetracích otvorov nesmú dostať kovové predmety.

Používať len Milwaukee príslušenstvo a Milwaukee náhradné diely. Súčiastky bez návodu na výmenu treba dať vymeniť v jednom z Milwaukee zákaznických centier (viď brožúru Záruka/Adresy zákaznických centier).

V prípade potreby si môžete v servisnom centre pre zákazníkov alebo priamo od firmy Techtronic Industries GmbH, Max-Eyth-Sträbe 10, 71364 Winnenden, Nemecko, vyžiadať schematický náčrt jednotlivých dielov prístroja pri uvedení typu prístroja a šesťmiestneho čísla na výkonnom štítku.

ELEKTRONIKA

AGV 12-125 X, AGV 12-125 XPD

Elektronický jemný nábeh pre bezpečné ovládanie zabraňuje trhavému nábehu stroja pri zapnutí.

Spínač nulového napätia zabraňuje samočinnému spusteniu stroja pri výpadku prúdu. Po obnovení dodávky prúdu je potrebné stroj vypnúť a opäť zapnúť.

Vrtáčka je vybavená ochranou proti preťaženiu a proti spätnému nárazu a pri preťažení sa automaticky vypne. Venujte prosím pozornosť tomu, že sa vrtáčka pri znížení zaťaženia na normálnu hodnotu opäť zapne a nabehne na pôvodný počet pracovných otáčok. Po dosiahnutí počtu pracovných otáčok je vrtáčka opäť pripravená na použitie.

SYMBOLY



Pred prvým použitím prístroja si pozorne prečítajte návod na obsluhu.



POZOR! NEBEZPEČENSTVO!



Pri práci so strojom vždy noste ochranné okuliare.



Pred každou prácou na stroji vyťahnite zástrčku zo zásuvky.



Príslušenstvo - nie je súčasťou štandardnej výbavy, odporúčané doplnenie z programu príslušenstva.



Elektrické náradie nevyhadzujte do komunálneho odpadu! Podľa európskej smernice 2002/96/ES o nakladaní s použitými elektrickými a elektronickými zariadeniami a zodpovedajúcich ustanovení právnych predpisov jednotlivých krajín sa použité elektrické náradie musí zbierať oddelene od ostatného odpadu a podrobiť ekologicky šetrnej recyklácii.



Trieda ochrany II, elektrické náradie, u ktorého ochrana proti úrazu elektrickým prúdom nezávisí len na základnej izolácii, ale aj na prijatí ďalších ochranných opatrení, ako je vyhotovenie s dvojitou alebo zosilnenou izoláciou.



DANE TECHNICZNE Szlifierka kątowa	AG 12-115 X (220-240 V)	AG 12-115 X (110-120 V)	AG 12-125 X (220-240 V)
Numer produkcyjny	4281 36 01... 4280 51 01... 4280 61 01... ... 000001-999999	4281 41 01... 4280 66 01... ... 000001-999999	4280 78 01... ... 000001-999999
Znamionowa moc wyjściowa	1200 W	1200 W	1200 W
Znamionowa prędkość obrotowa	11000 min ⁻¹	11000 min ⁻¹	11000 min ⁻¹
Średnica tarczy ścierniej	115 mm	115 mm	125 mm
Grubość ściernicy	6 mm (1/4")	6 mm (1/4")	6 mm (1/4")
Gwint wrzeciona roboczego	M 14	M 14	M 14
Ciężar wg procedury EPTA 01/2003	2,3 kg	2,3 kg	2,3 kg
Informacja dotycząca szumów/wibracji Zmierzone wartości wyznaczone zgodnie z normą EN 60 745. Poziom szumów urządzenia oszacowany jako A wynosi typowo: Poziom ciśnienia akustycznego (K=3dB(A)) Poziom mocy akustycznej (K=3dB(A)) Należy używać ochroniaczy uszu!	89,0 dB(A) 100,0 dB(A)	89,5 dB(A) 100,5 dB(A)	89,0 dB(A) 100,0 dB(A)
Wartości łączne drgań (suma wektorowa trzech kierunków) wyznaczone zgodnie z normą EN 60745 Szlifowanie powierzchni: Wartość emisji drgań a _h Niepewność K= Szlifowanie z użyciem krążka ściernego: Wartość emisji drgań a _h Niepewność K=	7,8 m/s ² 1,5 m/s ² 3,6 m/s ² 1,5 m/s ²	6,8 m/s ² 1,5 m/s ² 4,5 m/s ² 1,5 m/s ²	7,8 m/s ² 1,5 m/s ² 3,6 m/s ² 1,5 m/s ²



Pol

DANE TECHNICZNE Szlifierka kątowa	AGV 12-125 X (220-240 V)	AGV 12-125 X PD (220-240 V)
Numer produkcyjny	4280 86 01... ... 000001-999999	4332 41 01... ... 000001-999999
Znamionowa moc wyjściowa	1200 W	1200 W
Znamionowa prędkość obrotowa	11000 min ⁻¹	11000 min ⁻¹
Średnica tarczy ścierniej	125 mm	125 mm
Grubość ściernicy	6 mm (1/4")	6 mm (1/4")
Gwint wrzeciona roboczego	M 14	M 14
Ciężar wg procedury EPTA 01/2003	2,4 kg	2,4 kg
Informacja dotycząca szumów/wibracji Zmierzone wartości wyznaczone zgodnie z normą EN 60 745. Poziom szumów urządzenia oszacowany jako A wynosi typowo: Poziom ciśnienia akustycznego (K=3dB(A)) Poziom mocy akustycznej (K=3dB(A)) Należy używać ochroniaczy uszu!	89,0 dB(A) 100,0 dB(A)	89,0 dB(A) 100,0 dB(A)
Wartości łączne drgań (suma wektorowa trzech kierunków) wyznaczone zgodnie z normą EN 60745 Szlifowanie powierzchni: Wartość emisji drgań a _h Niepewność K= Szlifowanie z użyciem krążka ściernego: Wartość emisji drgań a _h Niepewność K=	7,8 m/s ² 1,5 m/s ² 3,6 m/s ² 1,5 m/s ²	7,8 m/s ² 1,5 m/s ² 3,6 m/s ² 1,5 m/s ²

OSTRZEŻENIE

Podany w niniejszych instrukcjach poziom drgań został zmierzony za pomocą metody pomiarowej zgodnej z normą EN 60745 i może być użyty do porównania ze sobą elektronarzędzi. Nadaje się on również do tymczasowej oceny obciążenia wibracyjnego. Podany poziom drgań reprezentuje główne zastosowania elektronarzędzia. Jeśli jednakże elektronarzędzie użyte zostanie do innych celów z innymi narzędziami roboczymi lub nie jest dostatecznie konserwowane, wtedy poziom drgań może wykazywać odchylenia. Może to wyraźnie zwiększyć obciążenie wibracjami przez cały okres pracy. Dla dokładnego określenia obciążenia wibracjami należy uwzględnić również czasy, w których urządzenie jest wyłączone względnie jest włączone, lecz w rzeczywistości nie pracuje. Może to spowodować wyraźną redukcję obciążenia wibracyjnego w całym okresie pracy. Należy wprowadzić dodatkowe środki zapobiegawcze celem ochrony obsługującego przed oddziaływaniem drgań, jak na przykład: konserwacja narzędzi roboczych i elektronarzędzi, nagrzanie rąk, organizacja przebiegu pracy.

Polski

⚠️ OSTRZEŻENIE! Prosimy o przeczytanie wskazówek bezpieczeństwa i zaleceń, również tych, które zawarte są w załączonej broszurze. Błędy w przestrzeganiu poniższych wskazówek mogą spowodować porażenie prądem, pożar i/lub ciężkie obrażenia ciała.
Należy starannie przechowywać wszystkie przepisy i wskazówki bezpieczeństwa dla dalszego zastosowania.

INSTRUKCJE DOTYCZĄCE BEZPIECZEŃSTWA

Wspólne wskazówki ostrzegawcze dotyczące szlifownia, szlifowania okładziną ścierną, prac z użyciem szcetek drucianych, polerowania i przycinania ściernicą:

a) Elektronarzędzie należy używać jako szlifierki, szlifierki z użyciem okładziny ścierniej, szcztoki drucianej i przycinania ściernicą. Należy przestrzegać wszystkich wskazówek ostrzegawczych, przepisów, opisów i danych, które otrzymali Państwo wraz z elektronarzędziem. Jeśli nie będą przestrzegane następujące przepisy, może dojść do porażenia prądem, pożaru i/lub ciężkich obrażeń ciała.

b) Niniejsze elektronarzędzie nie może być wykorzystywane do polerowania. Zastosowanie elektronarzędzia do innej, niż przewidziana czynności roboczej, może stać się przyczyną zagrożenia i obrażeń.

c) Nie należy używać osprzętu, który nie jest przewidziany i polecany przez producenta specjalnie do tego urządzenia. Fakt, że osprzęt daje się zamontować do elektronarzędzia, nie jest gwarantem bezpiecznego użycia.

d) Dopuszczalna liczba obrotów osprzętu musi być przynajmniej tak wysoka, jak maksymalna liczba obrotów podana na urządzeniu elektrycznym. Osprzęt, który obraca się szybciej niż jest to dozwolone, może pęknąć i zostać ciśnięty w powietrze.

e) Średnica zewnętrzna i grubość narzędzia roboczego muszą odpowiadać wymiarom elektronarzędzia. Narzędzia robocze o niewielkich wymiarach nie mogą być wystarczająco osłonięte lub kontrolowane.

f) Ściernice, podkładki, kołnierze, talerze szlifierskie oraz inny osprzęt muszą dokładnie pasować do wrzeciona ściernicy elektronarzędzia. Narzędzia robocze, które nie pasują dokładnie do wrzeciona ściernicy elektronarzędzia, obracając się nierównomiernie, bardzo mocno wibrują i mogą spowodować utratę kontroli nad elektronarzędziem.

g) W żadnym wypadku nie należy używać uszkodzonych narzędzi roboczych. Przed każdym użyciem należy skontrolować oprzyrządowanie, np. ściernice pod kątem odprysków i pęknięć, talerze szlifierskie pod kątem pęknięć, starcia lub silnego zużycia, szcztoki druciane pod kątem luźnych lub złamanych drutów. W razie wypadku elektronarzędzia lub narzędzia roboczego, należy sprawdzić, czy nie uległo ono uszkodzeniu, lub użyć innego, nieszuszonego narzędzia. Jeśli narzędzie zostało sprawdzone i umocowane, elektronarzędzie należy włączyć na minutę na najwyższe obroty, zwracając przy tym uwagę, by osoba obsługująca i osoby postronne znajdujące się w pobliżu, znalazły się poza strefą obracającego się narzędzia. Uszkodzone narzędzia łamią się najczęściej w tym czasie próbnym.

h) Należy nosić osobiste wyposażenie ochronne. W zależności od rodzaju pracy, należy nosić maskę ochronną pokrywającą całą twarz, ochronę oczu lub okulary ochronne. W razie potrzeby należy użyć maski przeciwpyłowej, ochrony słuchu, rękawic ochronnych lub specjalnego fartucha, chroniącego przed małymi cząstkami ściernego i obrabianego materiału.

Należy chronić oczy przed unoszącymi się w powietrzu ciałami obcymi, powstającymi w czasie pracy. Maski przeciwpyłowej i ochronna dróg oddechowych muszą filtrować powstający podczas pracy pył. Oddziaływanie hałasu przez dłuższy okres czasu, może doprowadzić do utraty słuchu.

i) Należy uważać, by osoby postronne znajdowały się w bezpiecznej odległości od strefy zasięgu elektronarzędzia.

Każdy, kto znajduje się w pobliżu pracującego elektronarzędzia, musi używać osobistego wyposażenia ochronnego. Odłamki obrabianego przedmiotu lub pęknięte narzędzia robocze mogą odpryskiwać i spowodować obrażenia również poza bezpośrednią strefą zasięgu.

j) Podczas prac, przy których elektronarzędzie mogłyby natrafić na ukryte przewody elektryczne lub na własny przewód, należy je trzymać tylko za izolowaną rękojęść. Styczność narzędzia skrawającego z będącym pod napięciem przewodem może spowodować podłączenie części metalowych urządzenia do napięcia i prowadzić do porażenia prądem elektrycznym.

k) Przewód sieciowy należy trzymać z dala od obracających się narzędzi roboczych. W przypadku utraty kontroli nad narzędziem, przewód sieciowy może zostać przecięty lub wciągnięty, a dłoń lub cała ręka mogą dostać się w obracającą się rękojęść narzędzia roboczego.

l) Nigdy nie wolno odkładać elektronarzędzia przed całkowitym zatrzymaniem się narzędzia roboczego. Obracające się narzędzie może wejść w kontakt z powierzchnią, na którą jest odłożone, przez co można stracić kontrolę nad elektronarzędziem.

m) Nie wolno przenosić elektronarzędzia, znajdującego się w ruchu. Przypadkowy kontakt ubrania z obracającym się narzędziem roboczym może spowodować jego wciągnięcie i wwiercenie się narzędzia roboczego w ciało osoby obsługującej.

n) Należy regularnie czyścić szczeliny wentylacyjne elektronarzędzia. Dmuchawa silnika wciąga kurz do obudowy, a duże nagromadzenie pyłu metalowego może spowodować zagrożenie elektryczne.

o) Nie należy używać elektronarzędzia w pobliżu materiałów łatwopalnych. Iskry mogą spowodować ich zapłon.

p) Nie należy używać narzędzi, które wymagają płynnych środków chłodzących. Użycie wody lub innych płynnych środków chłodzących może doprowadzić do porażenia prądem.

Odrzut i odpowiednie wskazówki bezpieczeństwa

Odrzut jest nagłą reakcją elektronarzędzia na zablokowanie lub zawadzenie obracającego się narzędzia, takiego jak ściernica, talerz szlifierski, szcztoka druciana itd. Zaczepienie się lub zablokowanie prowadzi do nagłego zatrzymania się obracającego się narzędzia roboczego. Niekontrolowane elektronarzędzie zostanie przez to szarpnięte w kierunku przeciwnym do kierunku obrotu narzędzia roboczego.

Gdy, np. ściernica zatnie się lub zakleszczy w obrabianym przedmiocie, zanurzona w materiale krawędź ściernicy, może się zablokować i spowodować jej wypadnięcie lub odrzut. Ruch ściernicy (w kierunku osoby obsługującej) lub od niezależny jest wtedy od kierunku ruchu ściernicy w miejscu zablokowania. Oprócz tego ściernice mogą się również złamać.

Odrzut jest następstwem niewłaściwego lub błędnego użycia elektronarzędzia. Można go uniknąć przez zachowanie opisanych poniżej odpowiednich środków ostrożności.

a) Elektronarzędzie należy mocno trzymać, a ciało i ręce ustawić w pozycji, umożliwiającej złagodzenie odrzutu. Jeżeli w skład wyposażenia standardowego wchodzi uchwyt dodatkowy, należy go zawsze używać, żeby mieć jak największą kontrolę nad siłami odrzutu lub momentem odwodzącym podczas rozruchu. Osoba obsługująca urządzenie



może opanować szarpnięcia i zjawisko odrzutu poprzez zachowanie odpowiednich środków ostrożności.

b) Nie należy nigdy trzymać rąk w pobliżu obracających się narzędzi roboczych. Narzędzie robocze może wskutek odrzutu zranić rękę.

c) Należy trzymać się z dala od strefy zasięgu, w której porusza się elektronarzędzie podczas odrzutu. Na skutek odrzutu, elektronarzędzie przemieszcza się w kierunku przeciwnym do ruchu ściernicy w miejscu zablokowania.

d) Szczególnie ostrożnie należy obrabiać narożniki, ostre krawędzie itd. Należy zapobiegać temu, by narzędzia robocze zostały odbite lub by się one zablokowały. Obracające się narzędzie robocze jest bardziej podatne na zakleszczenie przy obróbce kątów, ostrych krawędzi lub gdy zostanie odbite. Może to stać się przyczyną utraty kontroli nad odrzutem.

e) Nie stosować brzeszczotów do pił łańcuchowych ani zębatach. Osprzet tnący tego typu prowadzi często do powstawania odrzutu oraz utraty kontroli nad urządzeniem elektrycznym.



Szczególne wskazówki bezpieczeństwa dla szlifowania i przecinania ściernicą

a) Należy używać wyłącznie ściernicy przeznaczonej dla danego elektronarzędzia i osłony przeznaczonej dla danej ściernicy. Ściernice nie będące oprzyrządowaniem danego elektronarzędzia nie mogą być wystarczająco osłonięte i nie są wystarczająco bezpieczne.

b) Odgięte ściernice należy zamontować tak, aby ich powierzchnia szlifierska nie wystawała poza obrzeże osłony. Nieprawidłowo zamontowana ściernica, która wystaje poza obrzeże osłony nie może być wystarczająco osłonięta.

c) Należy zawsze używać osłony, która jest przeznaczona dla używanego rodzaju ściernic. Osłona musi być dobrze przymocowana do elektronarzędzia, a jej ustawienie musi gwarantować jak największy stopień bezpieczeństwa. Oznacza to, że zwrócona do osoby obsługującej część ściernicy ma być w jak największym stopniu osłonięta. Osłona ma chronić osobę obsługującą przed odłamkami i przypadkowym kontaktem ze ściernicą.

d) Ściernic można używać tylko do prac dla nich przewidzianych. Nie należy np. nigdy szlifować boczną powierzchnią ściernicy tarczowej do cięcia. Tarczowe ściernice tnące przeznaczone są do usuwania materiału krawędzi tarczy. Wpływ sił bocznych na te ściernice może je złamać.

e) Do wybranej ściernicy należy używać zawsze nieuszkodzonych kołnierzy mocujących o prawidłowej wielkości i kształcie. Odpowiednie kołnierze podpierają ściernicę i zmniejszają tym samym niebezpieczeństwo jej złamania się. Kołnierze do ściernic tnących mogą różnić się od kołnierzy przeznaczonych do innych ściernic.

f) Nie należy używać zużytych ściernic z większych elektronarzędzi. Ściernice do większych elektronarzędzi nie są zaprojektowane dla wyższej liczby obrotów, która jest charakterystyką mniejszych elektronarzędzi i mogą się dlatego złamać.

Dodatkowe szczególne wskazówki bezpieczeństwa dla przecinania ściernicą

a) Należy unikać zablokowania się tarczy tnącej lub za dużego nacisku. Nie należy przeprowadzać nadmiernie głębokich cięć. Przeciążenie tarczy tnącej podwyższa jej obciążenie i jej skłonność do zakleszczenia się lub zablokowania i tym samym możliwość odrzutu lub złamania się tarczy.

b) Należy unikać obszaru przed i za obracającą się tarczą tnącą. Przesuwanie tarczy tnącej w obrabianym przedmiocie w kierunku

od siebie, może spowodować, iż w razie odrzutu, elektronarzędzie odskoczy wraz z obracającą się tarczą bezpośrednio w kierunku użytkownika.

c) W przypadku zakleszczenia się tarczy tnącej lub przerwy w pracy, elektronarzędzie należy wyłączyć i odczekać, aż tarcza całkowicie się zatrzyma. Nigdy nie należy próbować wyciągać poruszającej się jeszcze tarczy z miejsca cięcia, gdyż może to wywołać odrzut. Należy wykręcić i usunąć przyczynę zakleszczenia się.

d) Nie włączać ponownie elektronarzędzia, dopóki znajduje się ono w materiale. Przed kontynuacją cięcia, tarcza tnąca powinna osiągnąć swoją pełną prędkość obrotową. W przeciwnym wypadku ściernica może się zaczeplić, wyskoczyć z przedmiotu obrabianego lub spowodować odrzut.

e) Płyty lub duże przedmioty należy przed obróbką podeprzeć, aby zmniejszyć ryzyko odrzutu, spowodowanego przez zakleszczoną tarczę. Duże przedmioty mogą się ugiąć pod ciężarem własnym. Obrabiany przedmiot należy podeprzeć z obydwu stron, zarówno w pobliżu linii cięcia jak i przy krawędzi.

f) Zachować szczególną ostrożność przy wycinaniu otworów w ścianach lub operowaniu w innych niewidocznych obszarach. Wgłębiająca się w materiał tarcza tnąca może spowodować odrzut narzędzia po natrafieniu na przewody gazowe, wodociągowe, przewody elektryczne lub inne przedmioty.

Szczególne wskazówki bezpieczeństwa dla szlifowania papierem ściernym

a) Nie należy stosować zbyt wielkich arkuszy papieru ściernego. Przy wyborze wielkości papieru ściernego, należy kierować się zaleceniami producenta. Wystający poza płytę szlifierską papier ścierny może spowodować obrażenia, a także doprowadzić do zablokowania lub rozdarcia papieru lub do odrzutu.

Szczególne wskazówki bezpieczeństwa dla pracy z użyciem szcetek druczanych

a) Należy pamiętać, iż szcotka druczana gubi kawałki drutu podczas normalnego użytkowania. Nie należy przeciążać drutów zbyt dużym dociskiem. Odrzucone kawałki drutu mogą bardzo łatwo przebić się przez cienkie ubranie i/lub skórę.

b) Jeżeli zalecane jest użycie osłony, należy zapobiec kontaktowi szcзокi z osłoną. Średnica szcзок do talerzy i garnków może się zwiększyć przez siłę nacisku i siły odśrodkowe.

Urządzenia pracujące w wielu różnych miejscach, w tym poza pomieszczeniami zamkniętymi, należy podłączyć poprzez ochronny (FI, RCD, PRCD) wyłącznik udarowy.

Podczas pracy elektronarzędzia nie wolno usuwać trocin ani drzazg. Elektronarzędzie można podłączyć do gniazdka sieciowego tylko wtedy, kiedy jest wyłączone.

Podczas pracy strugarki nie zbliżać się do strefy niebezpiecznej. Posługiwać się zawsze uchwytem dodatkowym.

Przy obróbce zgrubnej i przecinaniu pracować zawsze w kasku ochronnym.

Natychmiast wyłączyć elektronarzędzie w przypadku wystąpienia znacznych dźwięków w przypadku stwierdzenia innych usterek. Sprawdzić urządzenie w celu ustalenia przyczyny.

Tarce szlifierskie stosować i przechowywać zgodnie z zaleceniami producenta.

Przy szlifowaniu metali powstają iskry. Nie narażać na niebezpieczeństwo żadnych osób. Ze względu na zagrożenie pożarowe w pobliżu miejsca pracy (w strefie wyrzucania isker) nie powinny się znajdować materiały palne. Nie stosować odpylaczy. Elektronarzędzie trzymać zawsze w taki sposób, aby iskry i pył z przedmiotu obrabianego nie były wyrzucane na operatora.

Do przecinania kamienia wskazane jest użycie stopy prowadzącej! Przed uruchomieniem urządzenia należy dokręcić nakrętkę regulacyjną.

Jeśli ciężar własny części obrabianej nie pozwala na utrzymanie jej równowagi, to należy ją mocno umocować. W żadnym wypadku nie wolno prowadzić części ręką.

W przypadku ekstremalnych warunków zastosowania (na przykład przy szlifowaniu do gładkości metali za pomocą talerzy oporowych oraz krążków ściemych z fibry) może dojść do silnego zanieczyszczenia wnętrza szlifierki ręcznej z końcówką kątową. W takich warunkach zastosowania konieczne jest pilnie dokładne oczyszczenie wnętrza z osadów metalu oraz dołączenie wyłącznika ochronnego prądu uszkodzeniowego (FI). Po zadziałaniu wyłącznika ochronnego FI maszyna musi zostać odesłana do naprawy.

W przypadku elektronarzędzi, które mają współpracować z tarczą z otworem gwintowanym należy sprawdzić czy długość gwintu w tarczy odpowiada długości wrzeciona.


Do robót związanych z rozcinaniem należy stosować kołpak ochronny zamknięty z programu osprzętu.

WARUNKI UŻYTKOWANIA

Szlify erka kątowna nadaje się do rozcinania i szlifowania grubego wielu materiałów, takich jak na przykład: metal lub kamień oraz do szlifowania za pomocą tarczy szlifi erskiej z tworzywa sztucznego i do robót za pomocą szczołki drucianej stalowej. W razie wątpliwości przestrzegać wskazówek producenta osprzętu.

Produkt można użytkować wyłącznie zgodnie z jego normalnym przeznaczeniem.

PODŁĄCZENIE DO SIECI

 Podłączyć tylko do źródła zasilania prądem zmiennym jednofazowym i wyłącznie o napięciu podanym na tabliczce znamionowej. Możliwe jest również podłączenie do gniazdka bez uziemienia, ponieważ konstrukcja odpowiada II klasie bezpieczeństwa.

DEKLARACJA ZGODNOŚCI CE

Oświadczamy na naszą wyłączną odpowiedzialność, że produkt opisany w punkcie "Dane techniczne" jest zgodny ze wszystkimi istotnymi przepisami Dyrektywy 2011/65/EU (RoHS), 2004/108/EG, 2006/42/EG oraz z następującymi zharmonizowanymi dokumentami normatywnymi:

EN 60745-1:2009

EN 60745-2-3:2011

EN 55014-1:2006 + A1:2009 + A2:2011

EN 55014-2:1997 + A1:2001 + A2:2008

EN 61000-3-2:2006 + A1:2009 + A2:2009

EN 61000-3-3:2008



Winnenden, 2013-05-07

Alexander Krug / Managing Director
Upewnomocniony do zestawienia danych technicznych

Techtronic Industries GmbH
Max-Eyth-Straße 10, 71364 Winnenden, Germany

UTRZYMANIE I KONSERWACJA

Otwory wentylacyjne elektronarzędzia muszą być zawsze drożne.

Nie dopuszczać do przedostawania się części metalowych do szczelin powietrznych - niebezpieczeństwo zwarcia!

Używać tylko i wyłącznie wyposażenia dodatkowego Milwaukee i części zamiennych Milwaukee. Gdyby trzeba było wymienić części, które nie zostały opisane, należy skontaktować się z przedstawicielem serwisu Milwaukee (patrz wykaz adresów punktów usługowych/gwarancyjnych).

W razie potrzeby można zamówić rysunek urządzenia w rozłożeniu na części podając typ maszyny oraz sześciocyfrowy numer na tabliczce znamionowej w Punkcie Obsługi Klienta lub bezpośrednio w firmie Techtronic Industries GmbH, Max-Eyth-Straße 10, 71364 Winnenden, Germany.

UKŁAD ELEKTRONICZNY

AGV 12-125 X, AGV 12-125 XPD

Bezpieczna obsługa dzięki elektronicznej funkcji łagodnego rozruchu zapobiegająca szarpnięciom.

Łącznik działający przy napięciu zerowym zapobiega uruchomieniu się narzędzia po przerwie w dopływie energii elektrycznej. Przy podejmowaniu pracy na nowo należy wyłączyć urządzenie i włączyć je ponownie.

Urządzenie posiada funkcję zabezpieczającą przed przeciążeniem i odrzutem i zatrzymuje się przy określonym przeciążeniu. Należy pamiętać, iż w przypadku zaniku obciążenia maszyna samoczynnie powraca do pierwotnej roboczej liczby obrotów. Po osiągnięciu roboczej liczby obrotów urządzenie jest gotowe do pracy.

SYMBOLE



Przed uruchomieniem elektronarzędzia zapoznać się uważnie z treścią instrukcji.



UWAGA! OSTRZEŻENIE NIEBEZPIECZEŃSTWO!



Podczas pracy należy zawsze nosić okulary ochronne.



Przed przystąpieniem do jakichkolwiek prac związanych z elektronarzędziem należy wyjąć wtyczkę z gniazdka.



Wyposażenie dodatkowe dostępne osobno.



Nie wyrzucaj elektronarzędzi wraz z odpadami z gospodarstwa domowego! Zgodnie z Europejską Dyrektywą 2002/96/WE w sprawie zużytego sprzętu elektrotechnicznego i elektronicznego oraz dostosowaniem jej do prawa krajowego, zużyte elektronarzędzia należy posegregować i zutylizować w sposób przyjazny dla środowiska.



Klasa ochrony II, elektronarzędzie, w którym ochrona przed porażeniem elektrycznym nie zależy tylko od izolacji podstawowej, lecz w którym zastosowane są dodatkowe środki ochrony, takie jak podwójna lub wzmacniona izolacja.



MŰSZAKI ADATOK Sarkocsiszoló	AG 12-115 X (220-240 V)	AG 12-115 X (110-120 V)	AG 12-125 X (220-240 V)
Gyártási szám	4281 36 01... 4280 51 01... 4280 61 01... ... 000001-999999	4281 41 01... 4280 66 01... ... 000001-999999	4280 78 01... ... 000001-999999
Névleges teljesítményfelvétel	1200 W	1200 W	1200 W
Névleges fordulatszám	11000 min ⁻¹	11000 min ⁻¹	11000 min ⁻¹
Csiszolótárcsa- \emptyset	115 mm	115 mm	125 mm
Csiszolókorong vastagság	6 mm (1/4")	6 mm (1/4")	6 mm (1/4")
Tengelymenet	M 14	M 14	M 14
Súly a 01/2003 EPTA-eljárás szerint.	2,3 kg	2,3 kg	2,3 kg
Zaj-/Vibráció-információ A közölt értékek megfelelnek az EN 60 745 szabványnak. A készülék munkahelyi zajszintje tipikusan: Hangnyomás szint (K=3dB(A)) Hangteljesítmény szint (K=3dB(A)) Hallásvédő eszköz használata ajánlott!	89,0 dB(A) 100,0 dB(A)	89,5 dB(A) 100,5 dB(A)	89,0 dB(A) 100,0 dB(A)
Összesített rezgésértékek (három irány vektoriális összeg az EN 60745-nek megfelelően meghatározva). Felületcsiszolás: a _n rezgésemisszió érték K bizonytalanság= Csiszolás csiszolólapal: a _n rezgésemisszió érték K bizonytalanság=	7,8 m/s ² 1,5 m/s ² 3,6 m/s ² 1,5 m/s ²	6,8 m/s ² 1,5 m/s ² 4,5 m/s ² 1,5 m/s ²	7,8 m/s ² 1,5 m/s ² 3,6 m/s ² 1,5 m/s ²



MŰSZAKI ADATOK Sarkocsiszoló	AGV 12-125 X (220-240 V)	AGV 12-125 X PD (220-240 V)
Gyártási szám	4280 86 01... ... 000001-999999	4332 41 01... ... 000001-999999
Névleges teljesítményfelvétel	1200 W	1200 W
Névleges fordulatszám	11000 min ⁻¹	11000 min ⁻¹
Csiszolótárcsa- \emptyset	125 mm	125 mm
Csiszolókorong vastagság	6 mm (1/4")	6 mm (1/4")
Tengelymenet	M 14	M 14
Súly a 01/2003 EPTA-eljárás szerint.	2,4 kg	2,4 kg
Zaj-/Vibráció-információ A közölt értékek megfelelnek az EN 60 745 szabványnak. A készülék munkahelyi zajszintje tipikusan: Hangnyomás szint (K=3dB(A)) Hangteljesítmény szint (K=3dB(A)) Hallásvédő eszköz használata ajánlott!	89,0 dB(A) 100,0 dB(A)	89,0 dB(A) 100,0 dB(A)
Összesített rezgésértékek (három irány vektoriális összeg az EN 60745-nek megfelelően meghatározva). Felületcsiszolás: ah rezgésemisszió érték K bizonytalanság= Csiszolás csiszolólapal: ah rezgésemisszió érték K bizonytalanság=	7,8 m/s ² 1,5 m/s ² 3,6 m/s ² 1,5 m/s ²	7,8 m/s ² 1,5 m/s ² 3,6 m/s ² 1,5 m/s ²

FIGYELMEZTETÉS

A jelen utasításokban megadott rezgésszint értéke az EN 60745-ben szabályozott mérési eljárásnak megfelelően került leérésre, és használható elektromos szerszámokkal történő összehasonlításhoz. Az érték alkalmas a rezgésterhelés előzetes megbecslésére is. A megadott rezgésszint-érték az elektromos szerszám legfőbb alkalmazásait reprezentálja. Ha az elektromos szerszámot azonban más alkalmazásokhoz, eltérő használt szerszámokkal vagy nem elegendő karbantartással használják, a rezgésszint értéke eltérő lehet. Ez jelentősen megnövelheti a rezgésterhelést a munkavégzés teljes időtartama alatt. A rezgésterhelés pontos megbecsléséhez azokat az időket is figyelembe kell venni, melyekben a készülék lekapcsolódik, vagy ugyan működik, azonban ténylegesen nincs használatban. Ez jelentősen csökkentheti a rezgésterhelést a munkavégzés teljes időtartama alatt. Határozzon meg további biztonsági intézkedéseket a kezelő védelmére a rezgések hatása ellen, például: az elektromos és a használt szerszámok karbantartásával, a kezek melegen tartásával, a munkafolyamatok megszervezésével.



FIGYELMEZTETÉS! Olvasson el minden biztonsági útmutatót és utasítást, a mellékelt brosúrában találhatóakat is. A következőkben leírt előírások betartásának elmulasztása áramütésekhez, tűzhöz és/vagy súlyos testi sérülésekhez vezethet. **Kérjük a későbbi használatra gondosan őrizze meg ezeket az előírásokat.**

KÜLÖNLEGES BIZTONSÁGI TUDNIVALÓK

Közös figyelmeztető tájékoztató a csiszoláshoz, csiszolópapírral végzett csiszoláshoz, a drótkéfével végzett munkákhoz, polírozáshoz és daraboláshoz:

- a) Ez az elektromos kéziszerszám csiszológépként, csiszolópapíros csiszológépként, drótkéféként és daraboló csiszológépként használható. Ügyeljen minden figyelmeztető jelzésre, előírásra, ábrára és adatra, amelyet az elektromos kéziszerszámmal együtt megkapott.** Ha nem tartja be a következő előírásokat, akkor ez áramütéshez, tűzhöz és/vagy súlyos személyi sérülésekhez vezethet.
- b) Ez az elektromos szerszám nem alkalmas polírozásra.** Az elektromos kéziszerszám számára elő nem irányzott használat veszélyeztetésekkhez és személyi sérülésekhez vezethet.
- c) Ne használjon olyan tartozékokat, amelyeket a gyártó ehhez az elektromos kéziszerszámhoz nem irányzott elő és nem javasolt.** Az a tény, hogy a tartozékok rögzíteni tudja az elektromos kéziszerszámra, nem garantálja annak biztonságos alkalmazását.
- d) Az alkalmazott szerszámalkatrész megengedett fordulatszámának legalább annyianak kell lennie, mint az elektromos szerszám megadott legnagyobb fordulatszám.** Az olyan tartozék, ami a megengedett fordulatszámnál gyorsabban forog, eltörhet vagy lerepülhet.
- e) A betétszerszám külső átmérőjének és vastagságának meg kell felelnie az Ön elektromos kéziszerszámán megadott méreteknek.** A hibásan méretezett betétszerszámokat nem lehet megfelelően eltakarni, vagy irányítani.
- f) A csiszolókorongoknak, karimáknak, csiszoló tányérokknak vagy más tartozékoknak pontosan rá kell illeszkedniük az Ön elektromos kéziszerszámának a csiszolótengelyére.** Az olyan betétszerszámok, amelyek nem illenek pontosan az elektromos kéziszerszám csiszolótengelyéhez, egyenletlenül forognak, erősen bereznek és a készülék feletti uralom megszűnéséhez vezethetnek.
- g) Ne használjon megrongálódott betétszerszámokat.** Vizsgálja meg minden egyes használat előtt a betétszerszámokat: ellenőrizze, nem pattogott-e le és nem repedt-e meg a csiszolókorong, nincs-e eltörve, megrepedve, vagy nagy mértékben elhasználódva a csiszoló tányér, nincsenek-e a drótkéfében kilazult, vagy eltört drótok. Ha az elektromos kéziszerszám vagy a betétszerszám leesik, vizsgálja felül, nem rongálódott-e meg, vagy használjon egy hibátlan betétszerszámot. Miután ellenőrizte, majd behelyezte a készülékbe a betétszerszámot, tartózkodjon Ön sajátmaga és minden más a közelben található személy is a forgó betétszerszám síkján kívül és járassa egy percig az elektromos kéziszerszámot a legnagyobb fordulatszámmal. A megrongálódott betétszerszámok ezalatt a próbaidő alatt általában már széttörnek.
- h) Viseljen személyi védőfelszerelést.** Használjon az alkalmazásnak megfelelő teljes védőálarcot, szemvédőt vagy védőszemüveget. Amennyiben célszerű, viseljen porvédő álarcot, zajtompító fülvédőt, védő kesztyűt vagy különleges kötényt, amely távol tartja a csiszolószerszám- és

anyagrészcsekket. Mindenképpen védje meg a szemét a kirepülő idegen anyagoktól, amelyek a különböző alkalmazások során keletkeznek. A por- vagy védőálarcnak meg kell szűrnie a használat során keletkező port. Ha hosszú ideig ki van téve az erős zaj hatásának, elvesztheti a hallását.

i) Ügyeljen arra, hogy a többi személy biztonságos távolságban maradjon az Ön munkaterületétől. Minden olyan személynek, aki belép a munkaterületre, személyi védőfelszerelést kell viselnie. A munkadarab letört részei vagy a széttört betétszerszámok kirepülhetnek és a közvetlen munkaterületen kívül és személyi sérülést okozhatnak.

j) Az elektromos kéziszerszámot csak a szigetelt fogantyúfelületeknél fogva tartsa, ha olyan munkát végez, amelynek során a betétszerszám feszültség alatt álló, kívülről nem látható vezetékhez, vagy a készülék saját hálózati csatlakozó kábeljéhez érhet. A vágószerzám feszültségvezető vezetékkel való érintkezésekor a készülék fém részei is feszültség alá kerülhetnek, és elektromos áramütés következhet be.

k) Tartsa távol a hálózati csatlakozó kábelét a forgó betétszerszámoktól. Ha elveszíti az uralmát az elektromos kéziszerszám felett, az átvághatja, vagy bekaphatja a hálózati csatlakozó kábelét és az Ön keze vagy karja is a forgó betétszerszámhoz érhet.

l) Sohase tegye le az elektromos kéziszerszámot, mielőtt a betétszerszám teljesen leállna. A forgásban lévő betétszerszám megérintheti a támasztó felületet, és Ön ennek következtében könnyen elvesztheti az uralmát az elektromos kéziszerszám felett.

m) Ne járassa az elektromos kéziszerszámot, miközben azt a kezében tartja. A forgó betétszerszám egy véletlen érintkezés során bekaphatja a ruháját és a betétszerszám belefúródhat a testébe.

n) Tisztítsa meg rendszeresen az elektromos kéziszerszám szellőzőnyílásait. A motor ventilátorra beszívja a port a házba, és nagyobb mennyiségű fémpor felhalmozódása elektromos veszélyekhez vezethet.

o) Ne használja az elektromos kéziszerszámot éghető anyagok közelében. A szikrák ezeket az anyagokat meggyújtják.

p) Ne használjon olyan betétszerszámokat, amelyek alkalmazásához folyékony hűtőanyagra van szükség. Víz és egyéb folyékony hűtőanyagok alkalmazása áramütéshez vezethet.

Visszarúgás és megfelelő figyelmeztető tájékoztatók

A visszarúgás a beékelődő vagy leblokkoló forgó betétszerszám, például csiszolókorong, csiszoló tányér, drótkéfe stb. hirtelen reakciója. A beékelődés vagy leblokkolás a forgó betétszerszám hirtelen leállításához vezet. Ez az irányítatlan elektromos kéziszerszámot a betétszerszámnak a leblokkolási ponton fennálló forgási irányával szembeni irányban felgyorsítja.

Ha például egy csiszolókorong beékelődik, vagy leblokkol a megmunkálásra kerülő munkadarabban, a csiszolókorongnak a munkadarabra bemerülő éle leáll és így a csiszolókorong kiugorhat vagy egy visszarúgást okozhat. A csiszolókorong ekkor a korongnak a leblokkolási pontban fennálló forgásiirányától függően a kezelő személy felé, vagy attól távolodva mozog. A csiszolókorongok ilyenkor el is törhetnek.

Egy visszarúgás az elektromos kéziszerszám hibás vagy helytelen használatának következménye. Ezt az alábbiakban leírásra kerülő megfelelő óvatossági intézkedésekkel meg lehet gátolni.

a) Tartsa szorosan fogva az elektromos kéziszerszámot, és hozza a testét és a karjait olyan helyzetbe, amelyben fel tudja venni a visszaütő erőket. Használja mindig a pótfogantyút, amennyiben létezik, hogy a lehető legjobban tudjon uralkodni a visszarúgási erők, illetve felütáskor a reakciós nyomatok



felett. A kezelő személy megfelelő óvatossági intézkedésekkel alakodni tud a visszarugási és reakcióerők felett.

b) Sohase vigye a kezét a forgó betétszerszám közelébe. A betétszerszám egy visszarugás esetén a kezéhez érhet.

c) Kerülje el a testével azt a tartományt, ahová egy visszarugás az elektromos kéziszerszámot mozgatja. A visszarugás az elektromos kéziszerszámot a csiszolókorongnak a leblokkolási pontban fennálló forgásirányával ellentétes irányba hajítja.

d) A sarkok és élek közelében különösen óvatosan dolgozzon, akadályozza meg, hogy a betétszerszám lepattanjon a munkadarabról, vagy beékelődjön a munkadarabba. A forgó betétszerszám a sarkoknál, éleknél és lepattanás esetén könnyen beékelődik. Ez a készülék feletti uralom elvesztéséhez, vagy egy visszarugáshoz vezet.

e) Ne használjon láncfűrészlapot vagy fogazott fűrészlapot. Az ilyen szerszámkatrészek gyakran visszacsapódást okoznak, vagy ahhoz vezetnek, hogy kontrollálhatatlanná válik az elektromos szerszám.

Külön figyelemztetések és tájékoztató a csiszolóshoz és daraboláshoz

a) Kizárólag az Ön elektromos kéziszerszámához engedélyezett csiszolótesteket és az ezen csiszolótestekhez előírányzott védőbúrákat használja. A nem az elektromos kéziszerszámhoz szolgáló csiszolótesteket nem lehet kielégítő módon letakarni és ezért ezek nem biztonságosak.

b) A hajlított csiszolókorongokat úgy kell felszerelni, hogy a csiszolófelületük ne érjen túl a védőburkolat szélének síkján. A szakszerűtlenül felszerelt csiszolókorong, amely túlnyúlik a védőburkolat szélének síkján, nem fedhető el megfelelő mértékben.

c) Mindig csak azt a védőbúrát használja, amely az Ön által beszerelt csiszolótesthez van előírányozva. A védőbúrát biztonságosan kell felszerelni az elektromos kéziszerszámra és úgy kell beállítani, hogy az a lehető legnagyobb biztonságot nyújtsa, vagyis a csiszolótestnek csak a lehető legkisebb része mutasson a kezelő felé. A védőbúrának meg kell óvnia a kezelőt a letörtött, kirepülő daraboktól és a csiszolótest véletlen megérintésétől.

d) A csiszolótesteket csak az azok számára javasolt célokra szabad használni. Például: Sohase csiszoljon egy hasítókorong oldalsó felületével. A hasítókorongok arra vannak méretezve, hogy az anyagot a korong élével munkálják le. Az ilyen csiszolótestekre ható oldalirányú erő a csiszolótest töréséhez vezethet.

e) Használjon mindig hibátlan, az Ön által választott csiszolókorongnak megfelelő méretű és alakú befogókarimát. A megfelelő karimák megtámasztják a csiszolókorongot és így csökkentik a csiszolókorong eltörésének veszélyét. A hasítókorongokhoz szolgáló karimák különbözhetnek a csiszolókorongok számára szolgáló karimáktól.

f) Ne használjon nagyobb elektromos kéziszerszámokhoz szolgáló elhasznált csiszolótesteket. A nagyobb elektromos kéziszerszámokhoz szolgáló csiszolókorongok nincsenek a kisebb elektromos kéziszerszámok magasabb fordulatszámára méretezve és szétvághatók.

További különleges figyelemztető tájékoztató a daraboláshoz

a) Kerülje el a hasítókorong leblokkolását, és ne gyakoroljon túl erős nyomást a készülékre. Ne végezzen túl mély vágást. A túlterhelés megnöveli a csiszolótest igénybevételét és beékelődési vagy leblokkolási hajlamát és visszarugáshoz vagy a csiszolótest töréséhez vezethet.

b) Kerülje el a forgó hasítókorong előtti és mögötti tartományt. Ha a hasítókorongot a munkadarabban magától eltávolodva mozgatja,

akkor az elektromos kéziszerszám a forgó koronggal visszarugás esetén közvetlenül Ön felé pattan.

c) Ha a hasítókorong beékelődik, vagy ha Ön megszakítja a munkát, kapcsolja ki az elektromos kéziszerszámot és tartsa azt nyugodtan, amíg a korong teljesen leáll. Sohase próbálja meg kihúzni a még forgó hasítókorongot a vágásból, mert ez visszarugáshoz vezethet. Határozza meg és hártsa el a beékelődés okát.

d) Addig ne kapcsolja ismét be az elektromos kéziszerszámot, amíg az még benne van a munkadarabban. Várja meg, amíg a hasítókorong eléri a teljes fordulatszámát, mielőtt óvatosan folytatná a vágást. A korong ellenkező esetben beékelődhet, kiugorhat a munkadarabból, vagy visszarugáshoz vezethet.

e) Támassza fel a lemezeket vagy nagyobb munkadarabokat, hogy csökkentse egy beékelődő hasítókorong következtében fellépő visszarugás kockázatát. A nagyobb munkadarabok saját súlyuk alatt meghajolhatnak. A munkadarabot mindkét oldalán, és mind a vágási vonal közelében, mind a szélének alá kell támasztani.

f) Ha egy meglévő falban, vagy más be nem látható területen hoz létre "táska alakú beszűrást", járjon el különös óvatossággal. Az anyagba behatoló hasítókorong gáz- vagy vízvezetékbe, elektromos vezetékbe vagy más tárgyakra ütközhet, amelyek visszarugást okozhatnak.

Külön figyelemztetések és tájékoztató a csiszolópapír alkalmazásával történő csiszolóshoz

a) Ne használjon túl nagy csiszolólapokat, hanem kizárólag a gyártó által előírt méretet. A csiszoló tányéron túl kilógó csiszolólapok személyi sérülést okozhatnak, valamint a csiszolólapok leblokkolásához, széttépdéséhez, vagy visszarugáshoz vezethetnek.

Külön figyelemztetések és tájékoztató a drótkéffel végzett munkákhoz

a) Vegye figyelembe, hogy a drótkéfe szokásos használat esetén is veszít drótdarabokat. Túl erős rányomással ne terhelje túl a drótokat. A szétrepülő drótdarabok nagyon könnyen áthatolhatnak a vékony ruházaton és/vagy a bőrön.

b) Ha egy védőbúrát célszerű alkalmazni, akadályozza meg, hogy a védőbúra és a drótkéfe megérintse egymást. A tányér- és csészéalakú kefék átmérője a berendezésre gyakorolt nyomás és a centrifugális erők hatására megnövekedhet.

Szabadban a dugaljat hibaáram-védőkapcsolóval kell elátni. Az elektromos készülékek üzembehelyezési útmutatása ezt kötelezően előírja (FI, RCD, PRCD). Ügyeljen erre az elektromos kéziszerszámok használatakor is.

A munka közben keletkezett forgácsokat, szilkánkokat, törmelékét, stb. csak a készülék teljes leállása után szabad a munkaterületről eltávolítani.

A készüléket csak kikapcsolt állapotban szabad ismét áram alá helyezni.

A működő készülék munkaterületére nyúlni balesetveszélyes és tilos. A készüléket a segédfogantyúval együtt kell használni.

Közörléshez és vágáshoz a védőburkolatot mindig használni kell.

A készüléket azonnal ki kell kapcsolni, ha szokatlanul erős rezgés vagy más, hibára utaló jelenség lépne fel. Vizsgálja meg a készüléket, hogy mi lehet a helytelen működés oka.

A csiszolóárcsát mindig a gyártó útmutatásainak megfelelően kell használni és tárolni.

Fémek csiszolásakor szikra keletkezhet. Ügyeljen a közelben tartózkodó személyek testi épségére, illetve a gyúlékony anyagokat



távolítsa el a munkaterületről. Ne használjon porszívót.

A készüléket mindig úgy kell tartani, hogy a keletkező szikra, illetve a por ne a munkavégzőre szálljon.

Közetek vágásához mindig használjon vezetősínt.

A készülék használata előtt vizsgálja meg, hogy a szorítóánya megfelelően meg van-e húzva.

A munkadarabot rögzíteni kell, amennyiben saját súlya nem tartja meg biztonságosan. A munkadarabot nem szabad kézzel vezetni a tárcsa irányába.

Rendkívüli körülmények közötti használat esetén (pl. fémek támasztó tányérral és vulkánfibr-csiszolókoronggal történő simára csiszolásakor) erős szennyeződés keletkezhet a sarokcsiszoló belsejében. Ilyen használati feltételek esetén biztonsági okokból alaposan meg kell tisztítani a sarokcsiszoló belsejét a fémlerakódásoktól, és feltétlenül hibaáram védőkapcsolót (FI-relé) kell a készülék elé kapcsolni. A FI-védőkapcsoló működésbe lépése után a gépet be kell küldeni javításra.

Azoknál a szerszámoknál amelyeket menetes csiszolókkal kíván használni, győződjön meg róla, hogy a csiszoló elég hosszú ahhoz, hogy elfogadja a tengely hosszát.

Vágási munkálatokhoz a tartozékok közül a zárt védőburkolatot kell használni.

RENDELTETTÉSSZERŰ HASZNÁLAT

A sarokcsiszoló sok anyag vágására és nagyoló csiszolásáráhasználható, pl. fémhez vagy kőhöz, valamint műanyagcsiszoló tányérral való csiszoláshoz. A készülék acéldrótkéfével is használható. Kétséges esetben fi gyembele kellvenni a tartozék gyártójának útmutatásait.

A készüléket kizárólag az alábbiakban leírtaknak megfelelően szabad használni.

HÁLÓZATI CSATLAKOZTATÁS

A készüléket csak egyfázisú váltóáramra és a teljesítménytáblán megadott hálózati feszültségre csatlakoztassa. A csatlakoztatás védőérintkező nélküli dugaszolóaljzatokra is lehetséges, mivel a készülék felépítése II. védettségi osztályú.

CE-AZONOSSÁGI NYILATKOZAT

Egyedüli felelősséggel kijelentjük, hogy a „Műszaki Adatok” alatt leírt termék a 2011/65/EU (RoHS), 2004/108/EK, 2006/42/EK irányelvek minden releváns előírásának, ill. az alábbi harmonizált normatív dokumentumoknak megfelel:

EN 60745-1:2009

EN 60745-2-3:2011

EN 55014-1:2006 + A1:2009 + A2:2011

EN 55014-2:1997 + A1:2001 + A2:2008

EN 61000-3-2:2006 + A1:2009 + A2:2009

EN 61000-3-3:2008



Winnenden, 2013-05-07

Alexander Krug / Managing Director
Műszaki dokumentáció összeállításra felhatalmazva

Techtronic Industries GmbH
Max-Eyth-Straße 10, 71364 Winnenden, Germany

KARBANTARTÁS

A készülék szellőzőnyílásait mindig tisztán kell tartani.

Rövidzárlat veszélye miatt a szellőzőnyílásokba nem kerülhetnek fémdarabkák.

Csak Milwaukee tartozékokat és Milwaukee pótalkatrészeket szabad használni. Az olyan elemeket, melyek cseréje nincs ismertetve, cseréltesse ki Milwaukee szervizzel (lásd Garancia/Ügyfélszolgálat címei kiadványt).

Igény esetén a készülékről robbantott rajz kérhető a géptípus és a teljesítménycímeként található hatjegyű szám megadásával az Ön vevőszolgálatánál, vagy közvetlenül a Techtronic Industries GmbH-től a Max-Eyth-Straße 10, 71364 Winnenden, Németország címen.

ELEKTRONIKA

AGV 12-125 X, AGV 12-125 XPD

Elektronikus lágyindítás a biztonságos használat érdekében; megelőzi a gép lökészerű felfutását.

A nullafeszültség-kapcsoló megakadályozza a gép újboli beindulását áramszünet után. Ismételt munkakezdésnél a gépet ki, majd megint be kell kapcsolni.

A készülék túlterhelés és visszarúgás elleni funkcióval rendelkezik, és megfelelő túlterhelésnél leáll. Kérjük, vegye figyelembe, hogy a gép a terhelés megszűnése esetén ismét önállóan az eredeti munkafordulatszámra gyorsul. A munkafordulatszám elérése után a készülék ismét használatra kész.

SZIMBÓLUMOK



Kérjük alaposan olvassa el a tájékoztatót mielőtt a gépet használja.



FIGYELEM! FIGYELMEZTETÉS! VESZÉLY!



Munkavégzés közben ajánlatos védőszemüveget viselni.



Bármilyen jellegű karbantartás vagy javítás előtt a készüléket áramtalanítani kell.



Azokat a tartozékokat, amelyek gyárilag nincsenek a készülékhez mellékelve, külön lehet megrendelni.



Az elektromos kéziszerszámokat ne dobja a háztartási szemétkébe! A használt villamos és elektronikai készülékekről szóló 2002/96/EK irányelv és annak a nemzeti jogba való átültetése szerint az elhasznált elektromos kéziszerszámokat külön kell gyűjteni, és környezetbarát módon újra kell hasznosítani.



II-es védelmi osztály, olyan elektromos szerszám, amelynél az elektromos áramütés elleni védelem nem csak az alapszigetelésről függ, hanem amelyben kiegészítő védőintézkedéseket, mint pl. kettős szigetelés vagy megerősített szigetelés, alkalmaznak.



TEHNIČNI PODATKI Kotni brusilniki	AG 12-115 X (220-240 V)	AG 12-115 X (110-120 V)	AG 12-125 X (220-240 V)
Proizvodna številka	4281 36 01... 4280 51 01... 4280 61 01... ... 000001-999999	4281 41 01... 4280 66 01... ... 000001-999999	4280 78 01... ... 000001-999999
Nazivna sprejemna moč	1200 W	1200 W	1200 W
Nazivno število vrtljajev	11000 min ⁻¹	11000 min ⁻¹	11000 min ⁻¹
Brusilne plošče ø	115 mm	115 mm	125 mm
Debelina brusne plošče	6 mm (1/4")	6 mm (1/4")	6 mm (1/4")
Vretenasti navoj	M 14	M 14	M 14
Teža po EPTA-proceduri 01/2003	2,3 kg	2,3 kg	2,3 kg
Informacije o hrupnosti/vibracijah Vrednosti merjenja ugotovljene ustrezno z EN 60 745. Raven hrupnosti naprave ovrednotena z A, znaša tipično: Nivo zvočnega tlaka (K=3dB(A)) Višina zvočnega tlaka (K=3dB(A)) Nosite zaščito za sluh!	89,0 dB(A) 100,0 dB(A)	89,5 dB(A) 100,5 dB(A)	89,0 dB(A) 100,0 dB(A)
Skupna vibracijska vrednost (Vektorska vsota treh smerdoločena ustrezno EN 60745).			
Brušenje površin: Vibracijska vrednost emisij a _h	7,8 m/s ²	6,8 m/s ²	7,8 m/s ²
Nevarnost K=	1,5 m/s ²	1,5 m/s ²	1,5 m/s ²
Brušenje s smirkovim papirjem: Vibracijska vrednost emisij a _h	3,6 m/s ²	4,5 m/s ²	3,6 m/s ²
Nevarnost K=	1,5 m/s ²	1,5 m/s ²	1,5 m/s ²



TEHNIČNI PODATKI Kotni brusilniki	AGV 12-125 X (220-240 V)	AGV 12-125 X PD (220-240 V)
Proizvodna številka	4280 86 01... ... 000001-999999	4332 41 01... ... 000001-999999
Nazivna sprejemna moč	1200 W	1200 W
Nazivno število vrtljajev	11000 min ⁻¹	11000 min ⁻¹
Brusilne plošče ø	125 mm	125 mm
Debelina brusne plošče	6 mm (1/4")	6 mm (1/4")
Vretenasti navoj	M 14	M 14
Teža po EPTA-proceduri 01/2003	2,4 kg	2,4 kg
Informacije o hrupnosti/vibracijah Vrednosti merjenja ugotovljene ustrezno z EN 60 745. Raven hrupnosti naprave ovrednotena z A, znaša tipično: Nivo zvočnega tlaka (K=3dB(A)) Višina zvočnega tlaka (K=3dB(A)) Nosite zaščito za sluh!	89,0 dB(A) 100,0 dB(A)	89,0 dB(A) 100,0 dB(A)
Skupna vibracijska vrednost (Vektorska vsota treh smerdoločena ustrezno EN 60745).		
Brušenje površin: Vibracijska vrednost emisij a _h	7,8 m/s ²	7,8 m/s ²
Nevarnost K=	1,5 m/s ²	1,5 m/s ²
Brušenje s smirkovim papirjem: Vibracijska vrednost emisij a _h	3,6 m/s ²	3,6 m/s ²
Nevarnost K=	1,5 m/s ²	1,5 m/s ²

OPOZORILO

V teh navodilih navedena raven treslajev je bila izmerjena po EN60745 normiranem merilnem postopku in lahko služi medsebojni primerjavi električnih orodij. Prav tako je primeren za predhodno oceno obremenitve s treslaji.

Navedena raven treslajev navaja najpomembnejše vrste rabe električnega orodja. Kadar se električno orodje uporablja za drugačne namene, z odstopajočimi orodji ali pa z nezadostnim vzdrževanjem, lahko raven treslajev tudi odstopa. Le to lahko čez celoten delovni čas znatno zviša obremenitev s tresenjem.

Za natančno oceno obremenitve s treslaji naj bi se upošteval tudi čas v katerem je naprava izklopljena ali sicer teče, vendar dejansko ni v rabi. Le to lahko obremenitev s treslaji čez celoten delovni čas znatno zmanjša.

Za zaščito upravljalca pred učinkom treslajev uvedite dodatne zaščitne ukrepe npr.: Vzdrževanje električnega orodja in orodja, delo s toplimi rokami, organizacija delovnih potežev.

⚠ OPOZORILO! Preberite vsa varnostna opozorila in navodila, tudi tista v priloženi brošuri. Napake zaradi neupoštevanja spodaj navedenih opozoril in napotil lahko povzročijo električni udar, požar in/ali težke telesne poškodbe. **Vsa opozorila in napotila shranite, ker jih boste v prihodnje še potrebovali.**

SPECIALNI VARNOSTNI NAPOTKI

Skupna opozorila za brušenje, brušenje z brusnim papirjem, delo z žičnimi ščetkami, poliranje in rezanje:

a) To električno orodje se lahko uporablja za brušenje, brušenje z brusnim papirjem, brušenje z žično ščetko rezalni stroj.. Upoštevajte vsa opozorila, navodila, slikovne prikaze in podatke, ki ste jih prejeli skupaj z električnim orodjem. Zaradi nespoštovanja spodaj navedenih navodil lahko pride do električnega udara, požara in/ali težkih telesnih poškodb.

b) To električno orodje ni primerno za poliranje. Vrste uporabe, za katere električno orodje ni predvideno, lahko ogrozijo Vašo varnost in povzročijo telesne poškodbe.

c) Ne uporabljajte pribora, ki ga proizvajalec za to orodje ni specialno predvidel in katerega uporabe ne priporoča. Zgolj dejstvo, da lahko nek pribor pritrđite na Vaše električno orodje, še ne zagotavlja varne uporabe.

d) Dovoljeno število vrtljajev uporabljenega orodja mora biti vsaj tako visoko, kot je največje število vrtljajev električnega orodja. Pribor, ki se vrti hitreje od dovoljenega števila vrtljajev, se lahko polomi in razleti.

e) Zunanji premer in debelina vsadnega orodja morata ustrezati meram Vašega električnega orodja. Napačno dimenzionirani vsadni orodje ne boste mogli dovolj dobro zavarovati ali nadzorovati.

f) Brusilni koloti, prirobnice, brusilni krožniki in drug pribor se morajo natančno prilegati na brusilno vreteno Vašega električnega orodja. Vsadna orodja, ki se natančno ne prilegajo brusilnemu vretenu električnega orodja, se vrtijo neenakomerno, zelo močno vibrirajo in lahko povzročijo izgubo nadzora nad napravo.

g) Ne uporabljajte poškodovanih vsadnih orodij. Pred vsako uporabo preglejte brusilne kolute, če se ne luščijo oziroma če nimajo razpok, brusilne krožnike, če nimajo razpok oziroma če niso močno obrabljeni ali izrabljeni, žične ščetke pa, če nimajo zrahljanih ali odlomljenih žic. Če pade električno orodje ali vsadno orodje na tla, pogledajte, če ni poškodovano in uporabljajte samo nepoškodovana vsadna orodja. Po kontroli in vstavljanju vsadnega orodja se ne zadržujte v ravnini vrtečega se vsadnega orodja, kar velja tudi za druge osebe v bližini. Električno orodje naj eno minuto deluje z najvišjim številom vrtljajev. Poškodovana vsadna orodja se največkrat zlomijo med tem preizkusnim časom.

h) Uporabljajte osebno zaščitno opremo. Odvisno od vrste uporabe si natakните zaščitno masko čez cel obraz, zaščitno za oči ali zaščitna očala. Če je potrebno, nosite zaščitno masko proti prahu, zaščitne glušnike, zaščitne rokavice ali specialni predpasnik, ki Vas bo zavaroval pred manjšimi delci materiala, ki nastajajo pri brušenju. Oči je treba zavarovati pred tujki, ki nastajajo pri različnih vrstah uporabe naprave in letijo naokrog. Zaščitna maska proti prahu ali dihalna maska morata filtrirati prah, ki nastaja pri uporabi. Predolgo izpostavljanje glasnemu hrupu ima lahko za posledico izgubo sluha.

i) Pazite, da bodo druge osebe varno oddaljene od Vašega delovnega območja. Vsak, ki stopi na delovno območje, mora nositi osebno zaščitno opremo. Odlomljeni delci obdelovanca

ali zlomljena vsadna orodja lahko odletijo stran in povzročijo telesne poškodbe, tudi izven neposrednega delovnega območja.

j) Če izvajate dela, pri katerih bi lahko vsadno orodje zadelo ob skrite električne vodnike ali ob lastni omrežni kabel, držite električno orodje samo za izolirane ročaje. Stik rezalnega orodja z nepotestnim vodnikom napeljave lahko privede kovinske dele naprave pod napetost in vodi do električnega udara.

k) Omrežnega kabla ne približujte vrtečemu se vsadnemu orodju. Če izgubite nadzor nad električnim orodjem, lahko orodje prereže ali zagradi kabel. Vaša roka pa zaide v vrteče se vsadno orodje.

l) Ne odlagajte električnega orodja, dokler se vsadno orodje popolnoma ne ustavi. Vrteče se vsadno orodje lahko pride v stik z odlagalno površino, zaradi česar lahko izgubite nadzor nad električnim orodjem.

m) Električno orodje naj medtem, ko ga prenašate naokrog, ne deluje. Vrteče se vsadno orodje lahko zaradi naključnega kontakta zagradi Vaše oblačilo in se zavrti v Vaše telo.

n) Prezračevalne reže Vašega električnega orodja morate redno čistiti. Ventilator motorja povleče v ohlajše prah in velika količina nabranega prahu je lahko vzrok za električno nevarnost.

o) Ne uporabljajte električnega orodja v bližini gorljivih materialov. Ti materiali se lahko zaradi iskenja vnamejo.

p) Ne uporabljajte vsadnih orodij, ki za hlajenje potrebujejo tekočino. Uporaba vode ali drugih tekočin lahko povzroči električni udar.

Povratni udarec in ustrežna opozorila

Povratni udarec je nenadna reakcija, ki nastane zaradi zagodenja ali blokiranja vrtečega se vsadnega orodja, na primer brusilnega koluta, brusilnega krožnika, žične ščetke in podobnega. Zagodenje ali blokiranje ima za posledico takojšnjo ustavitve vrtečega se vsadnega orodja. Nekontrirano električno orodje se zaradi tega pospešeno premakne v smer, ki je nasprotna smeri vrtenja vsadnega orodja.

Če se na primer brusilni kolot zatakne ali zablokira v obdelavancu, se lahko rob brusilnega koluta, ki je potopljen v obdelovanec, zaplete vanj in brusilni kolot se odloži ali povzroči povratni udarec. Brusilni kolot se nato premakne proti uporabniku ali proč od njega, odvisno od smeri vrtenja brusilnega koluta na mestu blokiranja. Blokirni koluti se lahko pri tem tudi zlomijo.

Povratni udarec je posledica napačne ali pomanjkljive uporabe električnega orodja. Preprečite ga lahko z ustreznimi previdnostnimi ukrepi. Navedeni so v nadaljevanju besedila.

a) Dobro držite električno orodje in premaknite telo in roke v položaj, v katerem boste lahko prestregli moč povratnega udara. Če je na voljo dodatni ročaj, ga obvezno uporabljajte in tako zagotovite najboljše možno nadziranje moči povratnih udarcev ali reakcijskih momentov pri zagonu naprave. Z ustreznimi previdnostnimi ukrepi lahko uporabnik obvlada moč povratnih udarcev in reakcijskih momentov.

b) Nikoli z roko ne segajte v bližino vrtečih se vsadnih orodij. V primeru povratnega udara se lahko orodje premakne čez Vašo roko.

c) Ne približujte telesa področju, v katerega se lahko v primeru povratnega udara premakne električno orodje. Povratni udarec potisne električno orodje v smer, ki je nasprotna smeri premikanja brusilnega koluta na mestu blokiranja.

d) Posebno previdno delajte v kotih, na ostrih robovih in podobnih površinah. Preprečite, da bi vsadna orodja odskočila od obdelovanca in se zagodila. Vrteče se vsadno orodje se v kotih, na ostrih robovih ali če odskoči, zlahka zagodi. To povzroči izgubo nadzora ali povratni udarec.



e) **Ne uporabljajte verižni ali nazobčani žagin list.** Tako delovno orodje povzroči pogosto povratni udarec ali izgubo kontrole nad električno napravo.

Posebna opozorila za brušenje in rezanje

a) **Uporabljajte samo brusila, ki so atestirana za Vaše električno orodje in zaščitni pokrov, predviden za ta brusila.** Brusil, ki niso predvidena za Vaše električno orodje, ne boste mogli dobro zavarovati in so zato nevarna.

b) **Izbočene brusne plošče je treba montirati tako, da njihova brusna površina ne bo segala izven ravni roba ščitnika.** Nepravilno montirane brusne plošče, ki sega čez raven ščitnika, ni mogoče v zadostni meri zaščititi.

c) **Vedno uporabljajte zaščitni pokrov, ki je predviden za vrsto brusila, ki ga uporabljate.** Zaščitni pokrov mora biti varno nameščen na električno orodje in pritrjen tako, da bo zagotovil največjo možno mero varnosti, kar pomeni, da mora biti proti uporabniku obrnjen najmanjši del odprtega brusila. Zaščitni pokrov naj bi uporabnika varoval pred drobci in pred naključnim stikom z brusilom.

d) **Brusila lahko uporabljate samo za vrste uporabe, ki jih priporoča proizvajalec. Na primer: Nikoli ne brusite s stransko poskvijo rezalne plošče.** Rezalne plošče so namenjene odstranjevanju materiala z robom plošče. Brusilo se lahko zaradi bočnega delovanja sile zlomi.

e) **Za izbrani brusilni kolut vedno uporabljajte nepoškodovane vpenjalne prirobnice pravilne velikosti in oblike.** Ustrezne prirobnice podpirajo brusilni kolut in tako zmanjšujejo nevarnost, da bi se kolut zlomil. Prirobnice za rezalne plošče se lahko razlikujejo od prirobnic za druge brusilne kolute.

f) **Ne uporabljajte obrabljenih brusilnih kolutov večjih električnih orodij.** Brusilni koluti za večja električna orodja niso konstruirana za višje število vrtljajev, s katerimi delujejo manjša električna orodja in se lahko zato zlomijo.

Ostala posebna opozorila za rezanje

a) **Izogibajte se blokiranju rezalne plošče ali premočnemu pritiskanju na obdelovanec. Ne delajte pretirano globokih rezov.** Preobremenjenost rezalne plošče se poveča, prav tako dovzetnost za zatikanje ali blokiranje in s tem možnost povratnega udara ali zloma brusila.

b) **Izogibajte se področja pred in za vrtečo se rezalno ploščo.** Če boste rezalno ploščo, ki je v obdelovancu, potisnili stran od sebe, lahko električno orodje v primeru povratnega udara skupaj z vrtečim se kolutom odleti naravnost v Vas.

c) **Če se rezalna plošča zagodji ali če prekinete z delom, električno orodje izklopite in ga držite pri miru, dokler se kolut popolnoma ne ustavi. Nikoli ne poskušajte rezalne plošče, ki se še vrti, potegniti iz reza, ker lahko pride do povratnega udara.** Ugotovite in odstranite vzrok zagozditve.

d) **Dokler se električno orodje nahaja v obdelovancu, ga ne smete ponovno vklopiti. Počakajte, da bo rezalna plošča dosegla polno število vrtljajev in šele potem previdno nadaljujte z rezanjem.** V nasprotnem primeru se lahko plošča zatakne, skoči iz obdelovanca ali povzroči povratni udarec.

e) **Plošče ali velike obdelovance ustrezno podprite in tako zmanjšajte tveganje povratnega udara zaradi zatakne rezalne plošče.** Veliki obdelovanci se lahko zaradi lastne teže upognejo. Obdelovanec mora biti podprt z obeh strani, pa tudi v bližini reza in na robu.

f) **Še posebno previdni bodite pri "rezanju žepov" v obstoječe stene ali v druga področja, v katera nimate vplogeda.**

Pogrezajoča se rezalna plošča lahko pri rezovanju v plinske ali vodovodne cevi ter električne vodnike in druge predmete povzroči povratni udarec.

Posebna opozorila za brušenje z brusnim papirjem

a) **Ne uporabljajte predimenzioniranih brusilnih listov, temveč upoštevajte podatke proizvajalca o velikosti žaginega lista.** Brusilni listi, ki gledajo čez brusilni krožnik, lahko povzročijo telesne poškodbe ali pa blokiranje in trganje žaginega lista oziroma povratni udarec.

Posebna opozorila za delo z žičnimi ščetkami

a) **Upoštevajte, da žična krtača izgublja kose žice tudi med običajno uporabo. Žic ne preobremenjujte preveč s pritiskom.** Vstran leteči kosi žice lahko zelo lahko prodrejo skozi tanka oblačila in/ali kožo.

b) **Če je za delo priporočljiva uporaba zaščitnega pokrova, preprečite, da bi se zaščitni pokrov in žična ščetka dotikala.** Premer diskastih in lončastih žičnih ščetk se lahko zaradi pritiskanja nanje in zaradi delovanja centrifugalnih sil poveča.

Vtičnice v zunanem področju morajo biti opremljene z zaščitnimi stikali za okvрни tok (FI, RCD, PRCD). To zahteva instalacijski predpis za vašo električno napravo. Prosimo, da to pri uporabi naše naprave upoštevate.

Trske ali iveri se pri tekočem stroju ne smejo odstranjevati.

Stroj priklopite na vtičnico samo v izklopljenem stanju.

Ne segajte na področje nevarnosti tekočega stroja.

Vedno uporabljajte dodatni ročaj.

Pri grobem struženju ali rezanju vedno delajte z zaščitnim pokrovom. Napravo takoj izklopite, če nastopijo znatne vibracije ali če ugotovite drugačne pomanjkljivosti. Preverite stroj, da ugotovite vzrok.

Brusilne plošče vedno uporabljajte in shranjujte v skladu z navedbami proizvajalca.

Pri brušenju kovin nastaja iskenje. Pazite na to, da ne ogrožate nobenih oseb. Zaradi nevarnosti požara se v bližini (na področju iskenjne smeje nahajati nobeni gorljivi materiali. Ne uporabljajte odsesavanja prahu.

Aparat vedno držite tako, da iskre ali brusilni prah letijo vstran od telesa.

Za rezanje kamna so obvezne vodilne sani.

Matica prirobnice mora biti pred zagonom stroja zategnjena.

Kos, ki ga želite obdelovati, mora biti trdno vpet, če ne drži že zaradi lastne teže. Nikoli obdelovalnega kosa ne vodite z roko proti plošči.

Pri ekstremnih pogojih uporabe (npr. obrusu kovin z opornim krožnikom in vulkan-fiber brusilnimi ploščami lahko v notranjosti kotne brusilke naberejo nečistoče. Pri tovrstnih pogojih uporabe je iz varnostnih razlogov potrebno temeljito čiščenje kovinskih oblog v notranjosti in obvezno predklop varovalnega (Fstikala). V primeru sprožitve FI-varovalnega stikala je potrebno stroj dati v popravilo.

Pri brusilnih sredstvih, ki so opremljeni s ploščico z navojem se prepričajte, da je navoj v ploščici dovolj dolg za vreteno.

Za razdvajalna dela uporabljajte zaprto zaščitno masko iz programa pribora.



Slo

UPORABA V SKLADU Z NAMEMBOSTJO

Kotna brusilka je uporabna za razdvajanje in grobo brušenjemnogih materialov, kot npr. kovin ali kamna, kakor tudi zabrušenje s ploščo iz umetne mase in za delo z jeklenožičnokrtačo. Kadar ste v dvomu upoštevajte navodila proizvajalcapribora.

Ta naprava se sme uporabiti samo v skladu z namembnostjo uporabiti samo za navede namene.

OMREŽNI PRIKLJUČEK

Priključite samo na enofazni izmenični tok in samo na omrežno napetost, ki je označena na tipski ploščici. Priključitev je možna tudi na vtičnice brez zaščitnega kontakta, ker obstaja nadgradnja zaščitnega razreda.

CE-IZJAVA O KONFORMNOSTI

V lastni odgovornosti izjavljamo, da se pod "Tehnični podatki" opisan proizvod ujema z vsemi relevantnimi predpisi smernice 2011/65/EU (RoHS), 2004/108/EG, 2006/42/EG in s sledečimi harmoniziranimi normativnimi dokumenti:

EN 60745-1:2009

EN 60745-2-3:2011

EN 55014-1:2006 + A1:2009 + A2:2011

EN 55014-2:1997 + A1:2001 + A2:2008

EN 61000-3-2:2006 + A1:2009 + A2:2009

EN 61000-3-3:2008



Winnenden, 2013-05-07

Alexander Krug / Managing Director

Pooblaščen za izdelavo spisov tehnične dokumentacije.

Techtronic Industries GmbH

Max-Eyth-Straße 10, 71364 Winnenden, Germany

VZDRŽEVANJE

Pazite na to, da so prežračevalne reže stroja vedno čiste.

Zaradi nevarnosti kratkega stika kovinski deli ne smejo zaiti v špranje za prežračevanje.

Uporabljajte samo Milwaukee pribor in Milwaukee nadomestne dele. Poskrbite, da sestavne dele, katerih zamenjava ni opisana, zamenjajo v Milwaukee servisni službi (upoštevajte brošuro Garancija/Naslovi servisnih služb).

Po potrebi je mogoče pri vašem servisnem mestu ali neposredno pri Techtronic Industries GmbH, Max-Eyth-Straße 10, 71364 Winnenden, Germany, naročiti eksplozijsko risbo naprave ob navedbi tipa stroja in na tablici navedene šestmestne številke.

ELEKTRONIKA

AGV 12-125 X, AGV 12-125 XPD

Elektronski rahli zagon za varno delovanje pri vklopu preprečuje sunkovit zagon stroja.

Stikalo z ničelno napetostjo preprečuje ponovni zagon stroja po izpadu električnega toka. Pri ponovnem začetku dela stroj izklopite in ponovno vklopite.

Naprava je opremljena z Overload - in Anti Kickback zaščitno funkcijo in se pri ustrezni preobremenitvi ustavi. Prosimo vas, da upoštevate, da se stroj po prenehanju obremenitve ponovno samostojno zažene na prvotno obratovalno število vrtljajev. Po doseženem obratovalnem številu vrtljajev je naprava ponovno pripravljena za uporabo.

SIMBOLI



Prosimo, da pred uporabo pazno preberete to navodilo za uporabo.



POZOR! OPOZORILO! NEVARNO!



Pri delu s strojem vedno nosite zaščitna očala.



Pred vsemi deli na stroju izvlecite vtič iz vtičnice.



Oprema – ni vsebovana v obsegu dobave, priporočeno dopolnilo iz programa opreme.



Elektricnega orodja ne odstranjujte s hišnimi odpadki! V skladu z Evropsko direktivo 2002/96/EC o odpadni elektricni in elektronski opremi in z njenim izvajanjem v nacionalni zakonodaji je treba elektricna orodja ob koncu njihove življenjske dobe loceno zbirati in jih predati v postopek okolju prijaznega recikliranja.



Zaščitni razred II: električno orodje, pri katerem zaščita proti električnemu udarcu ni odvisna le od osnovne izolacije, temveč z uporabo dodatnih zaščitnih ukrepov, kot je dvojna ali ojačana izolacija.



TEHNIČKI PODACI Kutni bruslač	AG 12-115 X (220-240 V)	AG 12-115 X (110-120 V)	AG 12-125 X (220-240 V)
Broj proizvodnje	4281 36 01... 4280 51 01... 4280 61 01... ... 000001-999999	4281 41 01... 4280 66 01... ... 000001-999999	4280 78 01... ... 000001-999999
Snaga nominalnog prijema	1200 W	1200 W	1200 W
Nazivni broj okretaja	11000 min ⁻¹	11000 min ⁻¹	11000 min ⁻¹
Brusne ploče-ø	115 mm	115 mm	125 mm
Debljina brusne ploče	6 mm (1/4")	6 mm (1/4")	6 mm (1/4")
Navoj vretena	M 14	M 14	M 14
Težina po EPTA-proceduri 01/2003	2,3 kg	2,3 kg	2,3 kg
Informacije o buci/vibracijama Mjerne vrijednosti utvrdjene odgovarajuće EN 60 745. A-ocijenjeni nivo buke aparata iznosi tipično: nivo pritiska zvuka (K=3dB(A)) nivo učinka zvuka (K=3dB(A)) Nositi zaštitu sluha!	89,0 dB(A) 100,0 dB(A)	89,5 dB(A) 100,5 dB(A)	89,0 dB(A) 100,0 dB(A)
Ukupne vrijednosti vibracije (Vektor suma tri smjersu odmjerene odgovarajuće EN 60745 Brušenje površina: Vrijednost emisije vibracije a _h Nesigurnost K= Brušenje brusnim listom: Vrijednost emisije vibracije a _h Nesigurnost K=	7,8 m/s ² 1,5 m/s ² 3,6 m/s ² 1,5 m/s ²	6,8 m/s ² 1,5 m/s ² 4,5 m/s ² 1,5 m/s ²	7,8 m/s ² 1,5 m/s ² 3,6 m/s ² 1,5 m/s ²



TEHNIČKI PODACI Kutni bruslač	AGV 12-125 X (220-240 V)	AGV 12-125 X PD (220-240 V)
Broj proizvodnje	4280 86 01... ... 000001-999999	4332 41 01... ... 000001-999999
Snaga nominalnog prijema	1200 W	1200 W
Nazivni broj okretaja	11000 min ⁻¹	11000 min ⁻¹
Brusne ploče-ø	125 mm	125 mm
Debljina brusne ploče	6 mm (1/4")	6 mm (1/4")
Navoj vretena	M 14	M 14
Težina po EPTA-proceduri 01/2003	2,4 kg	2,4 kg
Informacije o buci/vibracijama Mjerne vrijednosti utvrdjene odgovarajuće EN 60 745. A-ocijenjeni nivo buke aparata iznosi tipično: nivo pritiska zvuka (K=3dB(A)) nivo učinka zvuka (K=3dB(A)) Nositi zaštitu sluha!	89,0 dB(A) 100,0 dB(A)	89,0 dB(A) 100,0 dB(A)
Ukupne vrijednosti vibracije (Vektor suma tri smjersu odmjerene odgovarajuće EN 60745 Brušenje površina: Vrijednost emisije vibracije a _h Nesigurnost K= Brušenje brusnim listom: Vrijednost emisije vibracije a _h Nesigurnost K=	7,8 m/s ² 1,5 m/s ² 3,6 m/s ² 1,5 m/s ²	7,8 m/s ² 1,5 m/s ² 3,6 m/s ² 1,5 m/s ²

UPOZORENIE

Ova u ovim uputama navedena razina titranja je bila izmjerena odgovarajuće jednom u EN 60745 normiranom mjernom postupku i može se upotrijebiti za usporedbu električnog alata međusobno. Ona je prikladna i za privremenu procjenu titrajnog opterećenja.

Navedena razina titranja reprezentira glavne primjene električnog alata. Ukoliko se električni alat upotrebljava u druge svrhe sa odstupajućim primijenjenim alatima ili nedovoljnim održavanjem, onda razina titranja može odstupati. To može titrajno opterećenje kroz cijeli period rada bitno povisiti.

Za točnu procjenu titrajnog opterećenja se moraju uzeti u obzir i vremena u kojima je uređaj isključen ili u kojima doduše radi, ali nije i stvarno u upotrebi. To može titrajno opterećenje bitno smanjiti za vrijeme cijelog radnog perioda.

Utvrdite dodatne sigurnosne mjere za zaštitu poslužioca protiv djelovanja titranja kao npr.: Održavanje električnih alata i upotrebljenih alata, održavanje topline ruku, organizacija i radne postupke.

⚠ UPOZORENJE! Pročitajte sigurnosne upute i uputnice, isto i one iz priložene brošure. Ako se ne bi poštivale napomene o sigurnosti i upute to bi moglo uzrokovati strujni udar, požar i/ili teške ozljede.

Sačuvajte sve napomene o sigurnosti i upute za buduću primjenu.

SPECIJALNE SIGURNOSNE UPUTE

Zajedničke upute s upozorenjima za brušenje, brušenje brusnim papirom, radove s žičanim četkama, poliranje i rezanje brušenjem:

a) Ovaj električni alat treba koristiti kao brusilicu, brusilicu s brusnim papirom, žičanu četku i rezanje brušenjem.. Pridržavajte se svih naputaka s upozorenjem, uputa, prikaza i podataka koje ste dobili s električnim alatom. Ako se ne bi pridržavali slijedećih uputa, moglo bi doći do električnog udara, požara i/ili teških ozljeda.

b) Ovaj električni alat nije prikladan za poliranje. Primjene za koje električni alat nije predviđen mogu uzrokovati ugrožavanje i ozljede.

c) Ne koristite pribor koji proizvođač nije posebno predvidio i preporučio za ovaj električni alat. Sama činjenica da se pribor može pričvrstiti na vaš električni alat, ne jamči sigurnu primjenu.

d) Dozvoljeni broj okretaja alatnih nastavaka mora najmanje biti toliko kao što je i najveći broj okretaja naveden na električnom alatu. Oprema koja ima veći broj okretaja od dozvoljenog može se polomiti i razletjeti.

e) Vanjski promjer i debljina radnog alata moraju odgovarati dimenzijama vašeg električnog alata. Pogrešno dimenzionirani električni alati ne mogu se dovoljno zaštititi ili kontrolirati.

f) Brusne ploče, pribornice, brusni tanjuri ili ostali pribor moraju biti točno prilagođeni brusnom vretenu vašeg električnog alata. Radni alati koji ne odgovaraju točno brusnom vretenu električnog alata, okreću se nejednolično, vrlo jako vibriraju i mogu dovesti do gubitka kontrole nad električnim alatom.

g) Ne koristite oštećene radne alate. Prije svake primjene kontrolirajte radne alate, kao što su brusne ploče na odlamanje komadića i pukotine, brusne tanjure na pukotine, trošenje ili veću istošenost, čelične četke na oslobođene ili odlomljene žice. Ako bi električni alat ili radni alat pao, provjerite da li je oštećen ili koristite neoštećeni radni alat. Kada koristite ili kontrolirate radni alat, osobe koje se nalaze blizu držite izvan ravnine rotirajućeg radnog alata i ostavite električni alat da se jednu minutu vrti sa maksimalnim brojem okretaja. Oštećeni radni alati najčešće se lome u vrijeme ovakvih ispitivanja.

h) Nosite osobnu zaštitnu opremu. Ovisno od primjene koristite masku za zaštitu lica i zaštitne naočale. Ukoliko je to potrebno, nosite masku za zaštitu od prašine, štitičnike za sluh, zaštitne rukavice ili specijalne pregače, koje će vas zaštititi od sitnih čestica od brušenja i materijala. Oči treba zaštititi od letućih stranih tijela koja nastaju kod različitih primjena. Zaštitne maske protiv prašine ili za disanje moraju profiltrirati prašinu nastalu kod primjene. Ako ste dulje vrijeme izloženi buci, mogao bi vam se pogoršati sluh.

i) Ako radite sa drugim osobama, pazite na siguran razmak do njihovog radnog područja. Svatko tko stupi u radno područje mora nositi osobnu zaštitnu opremu. Odlomljeni komadići izratka ili odlomljeni radni alati mogu odletjeti i uzrokovati ozljede i izvan neposrednog radnog područja.

j) Ako izvodite radove kod kojih bi radni alat mogao zahvatiti skrivene električne vodove ili vlastiti priključni kabel, električni alat držite samo za izolirane ručke. Kontakt rezačkog alata sa

vodovima koji provode napon može metalne dijelove sprave dovesti pod napon i tako dovesti do električnog udara.

k) Priključni kabel držite dalje od rotirajućeg radnog alata. Ako bi izgubili kontrolu nad električnim alatom, mogao bi se odrezati ili zahvatiti priključni kabel, a mogao bi zahvatiti i vaše ruke i šake.

l) Električni alat nikada ne odlažite prije nego što se radni alat potpuno zaustavi. Rotirajući radni alat mogao bi dodirnuti površinu odlaganja, zbog čega bi mogli izgubiti kontrolu nad električnim alatom.

m) Ne dopustite da električni alat radi dok ga nosite. Rotirajući radni alat bi slučajnim kontaktom mogao zahvatiti vašu odjeću, a radni alat bi vas mogao ozlijediti.

n) Redovito čistite otvore za hlađenje vašeg električnog alata. Ventilator motora uvlači prašinu u kućište električnog alata, a veliko nakupljanje metalne prašine može uzrokovati električne opasnosti.

o) Električni alat ne koristite blizu zapaljivih materijala. Iskre bi mogle zapaliti ove materijale.

p) Ne koristite radne alate koji zahtijevaju tekuća rashladna sredstva. Primjena vode ili ostalih tekućih rashladnih sredstava može dovesti do električnog udara.

Povratni udar i odgovarajuće upute upozorenja

Povratni udar je iznenadna reakcija zbog radnog alata koji se je zaglavio ili blokirao, kao što su brusilice, brusni tanjuri, čelične četke itd. Zaglavljivanje ili blokiranje dovodi do naglog zaustavljanja rotirajućeg radnog alata. Zbog toga će se nekontrolirani električni alat ubrzati u smjeru suprotnom od smjera rotacije radnog alata na mjestu blokiranja.

Ako bi se npr. brusna ploča zaglavila ili blokirala u izratku, tada rub brusne ploče koja je zarezala u izradak može odlomiti brusnu ploču ili uzrokovati povratni udar. Brusna ploča se kod toga pomiče prema osobi koja rukuje električnim alatom ili od nje, ovisno od smjera rotacije brusne ploče na mjestu blokiranja. Kod toga se brusne ploče mogu i odlomiti.

Povratni udar je posljedica pogrešne ili neispravne uporabe električnog alata. On se može spriječiti prikladnim mjerama opreza, kao što su dolje opisane.

a) Električni alat držite čvrsto i vaše tijelo i ruke dovedite u položaj u kojem možete preuzeti silu povratnog udara. Ukoliko postoji koristite uvijek dodatnu ručku, kako bi imali najveću moguću kontrolu nad silama povratnog udara ili momentima reakcije kod rada električnog alata. Osoba koja rukuje električnim alatom može prikladnim mjerama opreza ovladati povratnim udarom ili silama reakcije.

b) Vaše ruke nikada ne stavljajte blizu rotirajućeg radnog alata. Radni alat se kod povratnog udara može pomaknuti preko vaših ruku.

c) Vašim tijelom izbjegavajte područja u kojim se električni alat pomiče kod povratnog udara. Povratni udar potiskuje električni alat u smjeru suprotnom od pomicanja brusne ploče na mjestu blokiranja.

d) Posebno opreznim radom u području uglova, oštrih rubova, itd. spriječi ćete da se radni alat odbaci od izratka i da se u njemu uklješti. Rotirajući radni alat kada se odbije na uglovima ili oštrih rubovima, sklon je uklještenju. To uzrokuje gubitak kontrole nad radnim alatom ili povratni udar.

e) Ne upotrebljavajte lančani ili zupčasti rezni disk. Ovakvi alat često prouzročava „trzanje“ ili gubitak kontrole nad električnom stroju.

Posebne upute upozorenja za brušenje i rezanje brusnom pločom

a) Koristite isključivo brusna tijela odobrena za električni alat i štitičnik predviđen za ova brusna tijela. Brusna tijela koja nisu predviđena za ovaj električni alat ne mogu se dovoljno zaštititi i nesigurna su.



b) Koljenčaste brusne ploče moraju biti montirane tako, da njihova brusna površina ne strši preko ravnine ruba zaštitne kape. Nestručno montirana brusna ploča, koja strši preko ruba zaštitne kape, ne može biti dovoljno zakrivena.

c) Koristite uvijek štitnik predviđen za korištenju vrstu brusnih tijela. Štitnik mora biti sigurno pričvršćen na električnom alatu i tako podešen da se postigne maksimalna mjera sigurnosti, tj. da je najmanji mogući dio brusnog tijela otvoren prema osobi koja radi sa električnim alatom. Štitnik treba zaštititi osobu od odlomljenih komadića i nehotičnog kontakta sa brusnim tijelom.

d) Brusna tijela se smiju koristiti samo za preporučene mogućnosti primjene. Npr.: ne brusite nikada sa bočnom površinom brusne ploče za rezanje. Brusne ploče za rezanje predviđene su za rezanje materijala sa rubom ploče. Bočnim djelovanjem na ova brusna tijela one se mogu polomiti.

e) Za brusne ploče koje ste odabrali koristite uvijek neoštećene stezne priborbnice odgovarajuće veličine i oblika. Prikladne priborbnice služe za stezanje brusnih ploča i tako smanjuju opasnost od loma brusnih ploča. Priborbnice za brusne ploče za rezanje mogu se razlikovati od priborbnica za ostale brusne ploče.

f) Ne koristite istrošene brusne ploče velikih električnih alata. Brusne ploče za velike električne alate nisu predviđene za veće brojeve okretaja manjih električnih alata i mogu puknuti.

Ostale upute upozorenja za brusne ploče za rezanje

a) Izbjegavajte blokiranje brusnih ploča za rezanje ili preveliki pritisak. Ne izvodite prekomjerno duboke rezove. Preopterećenje brusnih ploča za rezanje povećava njihovo naprezanje i sklonost skočenja iz vertikalnog položaja ili blokiranja i time mogućnost povratnog udara ili loma brusne ploče.

b) Izbjegavajte područja ispred i iza rotirajuće brusne ploče. Ako brusnu ploču za rezanje u izratku pomičete dalje od sebe, u slučaju povratnog udara električni alat sa rotirajućom pločom bi se mogao izravno odbaciti na vas.

c) Ukoliko bi se brusna ploča za rezanje uklještila ili vi prekidate rad, isključite električni alat i držite ga mirno, sve dok se brusna ploča ne zaustavi. Ne pokušavajte nikada brusnu ploču koja se još vrti vaditi iz reza, jer bi inače moglo doći do povratnog udara. Ustanovite i otklonite uzrok uklještenja.

d) Ne uključujte ponovno električni alat sve dok se brusna ploča za rezanje nalazi zarezana u izratku. Prije nego što oprezno nastavite sa rezanjem, ostavite da brusna ploča za rezanje prvo postigne svoj puni broj okretaja. Inače bi se brusna ploča mogla zaglaviti, odskočiti iz izratka ili uzrokovati povratni udar.

e) Podložite ploče ili velike izratke, kako bi se izbjegla opasnost povratnog udara od uklještenih brusne ploče za rezanje. Veliki izraci se mogu prognuti pod djelovanjem svoje vlastite težine. Izradak se mora osloniti na obje strane, i to kako u blizini brusne ploče za rezanje, tako i na rubu.

f) Budite posebno oprezni kod zarezivanja postojećih zidova ili na drugim nevidljivim područjima. Brusna ploča za rezanje koja je zarezala plinske ili vodovodne cijevi, električne vodove ili ostale objekte, može uzrokovati povratni udar.

Posebne upute upozorenja za brušenje brusnim papirom

a) Ne koristite predimenzionirane brusne listove, nego se pridržavajte podataka proizvođača za veličine brusnih listova. Brusni listovi koji strše izvan brusnih tanjura mogu uzrokovati ozljede i dovesti do blokiranja, trganja brusnih listova ili do povratnog udara.

Posebne upute upozorenja za radove sa čeličnim četkama

a) Obratite pažnju na to, da žičana četka i za vrijeme normalne upotrebe gubi komade žice. Žice nemojte opteređivati previsokom tlačnom silom. Unakolo leteći komadi žice mogu prodirjeti kroz laku odjeću i/li kroz kožu.

b) Kada se preporučuje korištenje štitnika, treba spriječiti dodirivanje štitnika i čelične četke. Tanjuraste i lončaste četke mogu zbog pritiska i centrifugalne sile povećati svoj promjer.

Utičnice na vanjskom području moraju biti opremljene zaštitnim prekidačima za pogrešnu struju (FI, RCD, PRCD). To zahtjeva instalacijski propis za električne uređaje. Molimo da ovo poštujuete prilikom upotrebe našeg aparata.

Piljevina ili iverje se za vrijeme rada stroja ne smiju odstranjivati.

Samo isključeni stroj priključiti na utičnicu.

Ne sezati u područje opasnosti radećeg stroja.

Uvijek primijeniti dodatnu ručicu.

Prilikom grube obrade i prosjecanja uvijek nositi zaštitnu kapu.

Aparat odmah isključiti, ako dođe do bitnih titranja, ili ako se utvrde drugi nedostaci. Provjerite stroj, kako bi utvrdili uzrok.

Brusne ploče upotrijebiti i čuvati uvijek po podacima proizvođača.

Kod brušenja metala dolazi do iskrenja. Obratiti pažnju, da se ne ugrožavaju osobe. Zbog opasnosti od požara u blizini se ne smiju nalaziti gorivi materijali (područje leta iskri). Ne primijeniti usisavanje prašine.

Aparat uvijek držati tako, da iskre i prašina od brušenja lete u suprotnom smjeru od tijela.

Za prosjecanje kamena je vodeća klizaljka propis.

Matica priborbnice mora prije puštanja stroja u rad biti zategnuta.

Radni predmet koji se obrađuje mora biti čvrsto stegnut, ako se ne drži svojom osobnom težinom. Radni predmet ne nikada voditi rukom prema ploči.

Kod ekstremnih uslova radova (npr. kod glatkog brušenja metala sa potporim tanjurim i diskovima od vulkaniziranog vlakna za brušenje može naložiti jaki talog prljavštine u unutrašnjosti kutnog brusca. Pod ovakvim radnim uvjetima je iz sigurnosnih razloga potrebno temeljno čišćenje naslaga metala u unutrašnjosti i u svakom slučaju je potrebno preduključenje zaštitnog prekidača struje kvara (FI). Poslije odgovora FI-zaštitnog prekidača se stroj mora poslati na popravak.

Kod brusnih sredstava, koja bi trebala biti opremljeni pločom sa navojem, utvrditi, da li je navoj u ploči dovoljno dug za vreteno.

Kod odvajčkih radova upotrijebiti zatvorene zaštitne haube iz programa pribora

PROPIISNA UPOTREBA

Kutni brusac se može upotrijebiti za razdvajanje i za grubobrušenje mnogih materijala, kao npr. metala i kamena, kao i za brušenje sa plastičnim brusnim diskovima i za radove sa čeličnim četkama. U nedoumici poštivati upute proizvođačapribora.

Ovaj aparat se smije upotrijebiti samo u određene svrhe kao što je navedeno.

PRIKLJUČAK NA MREŽU

Priključiti samo na jednofaznu naizmjeničnu struju i samo na napon struje, naveden na pločici snage. Priključak je moguć i na utičnice bez zaštitnog kontakta, jer postoji dogradnja zaštitne klase II.

CE-IZJAVA KONFORMNOSTI

Izjavljujemo na osobnu odgovornost, da je proizvod opisan pod "Tehnički podaci", sukladan sa svim relevantnim propisima smjernice 2011/65/EU (RoHS), 2004/108/EG, 2006/42/EG i sa slijedećim harmoniziranim normativnim dokumentima:

EN 60745-1:2009

EN 60745-2-3:2011

EN 55014-1:2006 + A1:2009 + A2:2011

EN 55014-2:1997 + A1:2001 + A2:2008

EN 61000-3-2:2006 + A1:2009 + A2:2009

EN 61000-3-3:2008



Winnenden, 2013-05-07

Alexander Krug / Managing Director
Ovlašten za formiranje tehničke dokumentacije.

Techtronic Industries GmbH
Max-Eyth-Straße 10, 71364 Winnenden, Germany

ODRŽAVANJE

Proreze za prozračivanje stroja uvijek držati čistima.

Zbog opasnosti od kratkog spoja metalni dijelovi ne smiju dospijeti u otvore za prozračivanje.

Primijeniti samo Milwaukee opremu i Milwaukee rezervne dijelove. Sastavne djelove, čija zamjena nije opisana, dati zamijeniti kod jedne od Milwaukee servisnih službi (poštivati brošuru Garancija/Adrese servisa).

Po potrebi se crtež pojedinih dijelova aparata uz navođenje podatka o tipu stroja i šestznamenkastog broja na pločici snage može zatražiti kod vašeg servisa ili direktno kod Techtronic Industries GmbH, Max-Eyth-Straße 10, 71364 Winnenden, Njemačka.

ELEKTRONIKA

AGV 12-125 X, AGV 12-125 XPD

Električni nježan start za sigurno rukovanje spriječava kod uključivanja grubi start stroja.

Prekidač nultog napona spriječava ponovan start stroja nakon nestanka struje. Kod ponovnog početka rada stroj isključiti i opet uključiti.

Ovaj aparat raspolaže sa Overload i anti Kickback zaštitnom funkcijom i zaustavlja se odgovarajuće preopterećenosti. Imajte molimo na umu, da se stroj kod otpada opterećenja ponovno samostalno diže na prvobitni radni broj okretaja. Nakon postizanja radnog broja okretaja aparat je opet spreman za rad.

SIMBOLI



Molimo da pažljivo pročitate uputu o upotrebi prije puštanja u rad.



PAŽNJA! UPOZORENJE! OPASNOST!



Kod radova na stroju uvijek nositi zaštitne naočale.



Prije radova na stroju izvući utikač iz utičnice.



Oprema - u opsegu isporuke nije sadržana, preporučena dopuna iz promgrama opreme.



Elektricne alate ne odlažite u kućne otpatke! Prema Europskoj direktivi 2002/96/EC o starim elektricnim i elektronicnim strojevima ipreuzimanju u nacionalno pravo moraju se istrošeni elektricni alati sakupljati odvojeno i odvesti u pogon za reciklažu.



Zaštitna klasa II, električni alat, kod koga zaštita protiv električnog udara ne zavisi samo o osnovnoj izolaciji, već se kod njega primjenjuju dodatne zaštitne mjere, kao dvostruka izolacija ili pojačana izolacija.



TEHNISKIE DATI Leņķa slīpmašīna	AG 12-115 X (220-240 V)	AG 12-115 X (110-120 V)	AG 12-125 X (220-240 V)
Izlaides numurs	4281 36 01... 4280 51 01... 4280 61 01... ... 000001-999999	4281 41 01... 4280 66 01... ... 000001-999999	4280 78 01... ... 000001-999999
Nominālā atdotā jauda	1200 W	1200 W	1200 W
Nominālais griešanās ātrums	11000 min ⁻¹	11000 min ⁻¹	11000 min ⁻¹
Slīpdisks ar diametru	115 mm	115 mm	125 mm
Slīpriņas biezums	6 mm (1/4")	6 mm (1/4")	6 mm (1/4")
Vārpstas vījums	M 14	M 14	M 14
Svars atbilstoši EPTA -Procedure 01/2003	2,3 kg	2,3 kg	2,3 kg
Trokšņu un vibrāciju informācija Vērtības, kas noteiktas saskaņā ar EN 60 745. A novērtētās aparatūras skaņas līmenis ir: trokšņa spiediena līmenis (K=3dB(A)) trokšņa jaudas līmenis (K=3dB(A)) Nēsāt trokšņa slāpētāju!	89,0 dB(A) 100,0 dB(A)	89,5 dB(A) 100,5 dB(A)	89,0 dB(A) 100,0 dB(A)
Svārstību kopējā vērtība (Trīs virzienu vektoru summtiek noteikta atbilstoši EN 60745. Virsmu slīpēšana: svārstību emisijas vērtība a _h Nedrošība K= Slīpēšana ar slīppapīru: svārstību emisijas vērtība a _h Nedrošība K=	7,8 m/s ² 1,5 m/s ² 3,6 m/s ² 1,5 m/s ²	6,8 m/s ² 1,5 m/s ² 4,5 m/s ² 1,5 m/s ²	7,8 m/s ² 1,5 m/s ² 3,6 m/s ² 1,5 m/s ²



Lat

TEHNISKIE DATI Leņķa slīpmašīna	AGV 12-125 X (220-240 V)	AGV 12-125 X PD (220-240 V)
Izlaides numurs	4280 86 01... ... 000001-999999	4332 41 01... ... 000001-999999
Nominālā atdotā jauda	1200 W	1200 W
Nominālais griešanās ātrums	11000 min ⁻¹	11000 min ⁻¹
Slīpdisks ar diametru	125 mm	125 mm
Slīpriņas biezums	6 mm (1/4")	6 mm (1/4")
Vārpstas vījums	M 14	M 14
Svars atbilstoši EPTA -Procedure 01/2003	2,4 kg	2,4 kg
Trokšņu un vibrāciju informācija Vērtības, kas noteiktas saskaņā ar EN 60 745. A novērtētās aparatūras skaņas līmenis ir: trokšņa spiediena līmenis (K=3dB(A)) trokšņa jaudas līmenis (K=3dB(A)) Nēsāt trokšņa slāpētāju!	89,0 dB(A) 100,0 dB(A)	89,0 dB(A) 100,0 dB(A)
Svārstību kopējā vērtība (Trīs virzienu vektoru summtiek noteikta atbilstoši EN 60745. Virsmu slīpēšana: svārstību emisijas vērtība a _h Nedrošība K= Slīpēšana ar slīppapīru: svārstību emisijas vērtība a _h Nedrošība K=	7,8 m/s ² 1,5 m/s ² 3,6 m/s ² 1,5 m/s ²	7,8 m/s ² 1,5 m/s ² 3,6 m/s ² 1,5 m/s ²

UZMANĪBU

Instrukcijā norādītā svārstību robežvērtība ir izmērīta mērījumu procesā, kas veikts atbilstoši standartam EN 60745, un to var izmantot elektroinstrumentu savstarpējai salīdzināšanai. Tā ir piemērota arī svārstību noslogojuma pagaidu izvērtēšanai.

Norādītā svārstību robežvērtība ir reprezentatīva elektroinstrumenta pamata pielietojuma jomām. Tomēr, ja elektroinstruments tiek pielietots citās jomās, papildus izmantojot neatbilstošus elektroinstrumentus vai pēc nepietiekamas tehniskās apkopes, tad svārstību robežvērtība var atšķirties. Tas var ievērojami palielināt svārstību noslogojumu visa darba laikā.

Precīzai svārstību noslogojuma noteikšanai, ir jāņem vērā arī laiks, kad ierīces ir ieslēgta vai arī ir ieslēgta, tomēr faktiski netiek lietota. Tas var ievērojami samazināt svārstību noslogojumu visa darba laikā.

Integrējiet papildus drošības pasākumus pret svārstību ietekmi lietotājam, piemēram: elektroinstrumentu un darba instrumentu tehniskā apkope, roku siltuma uzturēšana, darba procesu organizācija.

Latviski

⚠ UZMANĪBU! Izlasiet visu drošības instrukciju un lietošanas pamācību klāt pievienotajā bukletā. Šeit sniegto drošības noteikumu un norādījumu neievērošana var izraisīt aizdegšanos un būt par cēloni elektriskajam triecienam vai nopietnam savainojumam. Pēc izlasīšanas uzglabājiet šos noteikumus turpmāki izmantošanai.

SPECIĀLIE DROŠĪBAS NOTEIKUMI

Kopējie drošības noteikumi slīpēšanai, slīpēšanai ar smilšpapīra loksni, darbam ar stieplju suku, pulēšanai un griešanai:

a) Šis elektroinstruments ir lietojams kā slīpmašīna, kas piemērota arī slīpēšanai ar smilšpapīra loksni, darbam ar stieplju suku, pulēšanai un griešanai.. Nemiet vērā visas elektroinstrumentam pievienotās instrukcijas, norādījumus, atbēlles un citu informāciju. Turpmāk sniegto norādījumu neievērošana var kļūt par cēloni elektriskajam triecienam, ugunsgrēkam un/vai smagam savainojumam.

b) Šis elektroinstruments nav piemērots pulēšanai. Elektroinstrumenta izmantošana tādu uzdevumu veikšanai, kuriem tas nav paredzēts, var būt bīstama un izraisīt savainojumus.

c) Neizmantojiet piederumus, kurus ražotājs nav paredzējis šim elektroinstrumentam un ieteikusi lietošanai kopā ar to. Iespēja nostiprināt piederumu uz elektroinstrumenta vēl negarantē tā drošu lietošanu.

d) Iesaistāmā instrumenta pieļaujamajam apgriezienu skaitam jābūt vismaz tik augstam kā uz elektroinstrumenta norādītajam maksimālajam apgriezienu skaitam. Aprikojums, kurš rotē ātrāk par pieļaujamo ātrumu, var salūzt un tikt atmests atpakaļ!

e) Darbinstrumentu ārējām diametram un biežumam jāatbilst elektroinstrumenta konstrukcijai un izmēriem. Ja darbinstrumenta izmēri ir izvēlēti nepareizi, tas pilnībā nenovietojas zem aizsarga un darba laikā apgrūrina instrumenta vadību.

f) Slīpēšanas diskam, balstpaplākšnei, slīpēšanas pamatnei vai citiem piederumiem precīzi jānovietojas uz elektroinstrumenta darbvirsmas. Nomaināmie darbinstrumenti, kas precīzi neatbilst elektroinstrumenta darbvirsmas konstrukcijai, nevienmērīgi griežas, ļoti spēcīgi vibrē un var būt par cēloni kontroles zaudēšanai pār instrumentu.

g) Neizmantojiet bojātus darbinstrumentus. Ik reizi pirms darbinstrumentu lietošanas pārbaudiet, vai tie nav bojāti, piemēram, vai slīpēšanas diski nav atslāņojušies vai ielplaisājuši, vai slīpēšanas pamatne nav vājājas plaisas un vai stieplju suku veidojošās stieples nav vajigas vai atlūzušas. Ja elektroinstruments vai darbinstruments ir kritis no zināma augstuma, pārbaudiet, vai tas nav bojāts, vai arī izmantojiet darbam nebojātu darbinstrumentu. Pēc darbinstrumenta apskates un iestiprināšanas ļaujiet elektroinstrumentam darboties ar maksimālo griešanās ātrumu vienu minūti ilgi, turot rotējošo darbinstrumentu drošā attālumā no sevis un citām tuvumā esošajām personām. Bojātie darbinstrumenti šādas pārbaudes laikā parasti salūst.

h) Lietojiet individuālos darba aizsardzības līdzekļus. Atkarībā no veicama darba rakstura izvēlieties pilnu sejas aizsargu, noslēdzošas aizsargbrilles vai parastās aizsargbrilles. Lai aizsargātos no lidojošajām slīpēšanas darbinstrumenta un apstrādājamā materiāla daļiņām, pēc vajadzības lietojiet putekļu aizsargmasku, ausu aizsargus un aizsargcimdus vai arī īpašu priekšautu. Lietotāja acis jāpasargā no lidojošajiem

svešķermeņiem, kas dažkārt rodas darba gaitā. Putekļu aizsargmaskai vai respiratoram jāpasargā lietotāja elpošanas ceļi no putekļiem, kas veidojas darba laikā. Ilgstoši atrodoties stipra trokšņa iespaidā, var rasties paliekoši dzirdes traucējumi.

i) Sekojiet, lai citas personas atrastos drošā attālumā no darba vietas. Ikvienam, kas atrodas darba vietas tuvumā, jālieto individuālie darba aizsardzības līdzekļi. Apstrādājamā priekšmeta atlūzas vai salūzuša darbinstrumenta daļas var lidot ar ievērojamu ātrumu un nodarīt kaitējumu cilvēku veselībai arī ievērojamā attālumā no darba vietas.

j) Ja darbinstruments var skart slēptu elektropārvades līniju vai instrumenta elektrokabeli, darba laikā turiet elektroinstrumentu aiz izolētajiem rokturiem, nepieskaroties metāla daļām. Šī instrumenta saskare ar strāvu vadošiem kabeļiem var radīt spriegumu arī ierīces metāliskajās daļās un var izraisīt elektrisko triecienu.

k) Netuviniet rotējošu darbinstrumentu elektrokabelim. Zīdot kontrolei pār instrumentu, darbinstruments var pārgriezt kabeli vai iekerties tajā, kā rezultātā kāda no lietotāja ķermeņa daļām var saskarties ar rotējošo darbinstrumentu.

l) Nenovietojiet elektroinstrumentu, kamēr tajā iestiprinātais darbinstruments nav pilnīgi apstājies. Rotējošais darbinstruments var skart atbalsta virsmu, kā rezultātā elektroinstruments var kļūt nevadāms.

m) Nedarbiniet elektroinstrumentu laikā, kad tas tiek pārvietots. Lietotāja apģērbs vai mati var nejausi nonākt saskarē ar rotējošo darbinstrumentu un iekerties tajā, izraisot darbinstrumenta saskaršanos ar lietotāja ķermeni.

n) Regulāri tīriet elektroinstrumenta ventilācijas atveres. Dzīnēju ventilējošā gaisa plūsma ievēl putekļu instrumenta korpusā, bet liela metāla putekļu daudzuma uzkrāšanās var būt par cēloni elektrotraumai.

o) Nelietojiet elektroinstrumentu ugunsnedrošu materiālu tuvumā. Lidojošās dzirksteles var izraisīt šādu materiālu aizdegšanos.

p) Nelietojiet nomaināmos darbinstrumentus, kuriem jāpievada dzesejōšais šķidrums. Ūdens vai citu šķidrō dzesešanas līdzekļu izmantošana var būt par cēloni elektriskajam triecienam.

Atsitiens un ar to saistītie norādījumi

Atsitiens ir specifiska instrumenta reakcija, pēkšņi iekeroties vai iestrēgstot rotējošam darbinstrumentam, piemēram, slīpēšanas diskam, slīpēšanas pamatnei, stieplju sukai u. t. t. Rotējoša darbinstrumenta iekēršanās vai iestrēgšana izraisa tā pēkšņu apstāšanos. Tā rezultātā elektroinstruments pārvietojas virzienā, kas pretējs darbinstrumenta kustības virzienam iestrēguma vietā, un nereti kļūst nevadāms.

Ja, piemēram, slīpēšanas disks iekēras vai iestrēgst apstrādājamajā priekšmetā, tajā iegremdētā diska mala var izrautes no apstrādājamā materiāla vai izraisīt atsitienu. Šādā gadījumā slīpēšanas disks pārvietojas lietotāja virzienā vai arī prom no viņa, atkarībā no diska rotācijas virziena attiecībā pret apstrādājamo priekšmetu, Turklāt slīpēšanas disks var salūzt.

Atsitiens ir sekas elektroinstrumenta nepareizai vai neprasmīgai lietošanai. No tā var izvairīties, ievērojot zināmus piesardzības pasākumus, kas aprakstīti turpmākajā izklāstā.

a) Stingri turiet elektroinstrumentu un ieņemiet tādu ķermeņa roku stāvokli, kas vislabāk ļautu pretoties atsitienu spēkam. Vienmēr izmantojiet papildrokturi, kas ļauj optimāli kompensēt atsitienu vai reaktīvo griezes momentu un saglabāt kontroli pār instrumentu. Veicot zināmus piesardzības pasākumus, lietotājs jebkurā situācijā spēj efektīvi pretoties atsitienam un reaktīvajam griezes momentam.



Lat

b) Netuviniet rokas rotējošam darbinstrumentam. Atsitienu gadījumā darbinstruments var skart ar lietotāja roku.

c) Izvairieties atrasties vietā, kur varētu pārvietoties elektroinstruments atsitienu brīdī. Atsitienu brīdī elektroinstruments pārvietojas virzienā, kas pretējs darbinstrumenta kustības virzienam iestrēguma vietā.

d) Ievērojiet īpašu piesardzību, strādājot stūru un asu malu tuvumā. Nepieļaujiet, lai darbinstruments atlektu no apstrādājamā priekšmeta vai iestrēgtu tajā. Saskaņoties ar stūriem vai asām malām rotējošais darbinstruments izliecas un atlec no apstrādājamā priekšmeta vai iestrēgst tajā. Tas var būt par cēloni kontroles zaudēšanai pār instrumentu vai atsitienu.

e) Neizmantojiet ķēdes vai zobu ripzāģi. Šādi darba instrumenti bieži izraisa atsitienu vai kontroles zaudēšanu pār elektroinstrumentu.

Īpašie drošības noteikumi, veicot slipēšanu un griešanu

a) Lietojiet vienīgi jūsu rīcībā esošajam elektroinstrumentam piemērotus slipēšanas darbinstrumentus un šādiem darbinstrumentiem paredzētu aizsargu. Aizsargs var nepietiekami noseg nepiemērotus slipēšanas darbinstrumentus, līdz ar to neļaujot panākt vēlamo darba drošību.

b) Slipdiski, kas parasti ir augstāki par sliprīpām, ir jāuzstāda tā, lai to slipējamā virsma neatrastos ārpus diska aizsarga. Neatbilstoši noteikumiem uzstādītu slipdisku, kas sniedzas pāri aizsarga malai, nav iespējams pilnībā noseg.

c) Vienmēr izmantojiet aizsargu, kas paredzēts lietošanai kopā ar attiecīgā tipa slipēšanas darbinstrumentiem. Aizsargam jābūt uzstādāmam un nostiprināmam uz elektroinstrumenta tā, lai tas ļautu panākt iespējami lielāku darba drošību, t. i., lai lietotāja virzienā būtu vērsta iespējami mazāka slipēšanas darbinstrumenta nenosegtā daļa. Aizsarga uzdevums ir pasargāt lietotāju no lidojošajām daļiņām un saskarsnās ar slipēšanas darbinstrumentu.

d) Slipēšanas darbinstrumentu drīkst izmantot vienīgi tāda veidā, kādam tas ir paredzēts. Piemēram, nekad neizmantojiet slipēšanai griešanas diska sānu virsmu. Griešanas disks ir paredzēts materiālu apstrādei ar malas griežējšķautni. Stiprs spiediens sānu virzienā var salauzt šo darbinstrumentu.

e) Kopā ar izvēlēto slipēšanas disku izmantojiet vienīgi nebojātu piespiedējgriezni ar piemērotu formu un izmēriem. Piemērota tipa piespiedējgrieznis darba laikā droši balsta slipēšanas disku un samazina tā salūšanas iespēju. Kopā ar griešanas diskem izmantojamie piespiedējgriezņi var atšķirties no piespiedējgriezņiem, kas lietojami kopā ar citu veidu slipēšanas diskem.

f) Neizmantojiet nolietotus slipēšanas diskus, kas paredzēti lielākas jaudas elektroinstrumentiem. Lielākiem elektroinstrumentiem paredzētie slipēšanas diski nav piemēroti darbam mazākos elektroinstrumentos, kuru griešanas ātrums parasti ir lielāks, un tāpēc tie darba laikā var salūzt.

Citi īpašie drošības noteikumi, veicot griešanu

a) Neizdariet pārlieku lielu spiedienu uz griešanas disku un nepieļaujiet tā iestrēgšanu. Neveidojiet pārāk dziļus griezumus. Pārslūdojot griešanas disku, tas biežāk iekeras vai iestrēgst griezumā, un līdz ar to pieaug arī atsitienu vai darbinstrumenta salūšanas iespēja.

b) Izvairieties atrasties rotējošā griešanas diska priekšā vai aiz tā. Ja darba laikā lietotājs pārvieto griešanas disku prom no sevis apstrādājamā priekšmeta virzienā, tad atsitienu gadījumā elektroinstruments ar rotējošu griešanas disku tiks sviests tieši lietotāja virzienā.

c) Pārtraucot darbu vai iestrēgstot griešanas diskam, izslēdziet elektroinstrumentu un turiet to nekustīgi, līdz griešanas disks pilnīgi apstājas. Nemēģiniet izvilkēt no griezuma vēl rotējošu griešanas disku, jo šāda darbība var būt par cēloni atsitienu. Noskaidrojiet un novērsiet diska iestrēgšanas cēloni.

d) Neieslēdziet elektroinstrumentu no jauna, ja tajā iestiprinātais darbinstruments atrodas griezuma vietā. Pēc ieslēgšanas nogaidiet, līdz darbinstruments sasniedz pilnu griešanas ātrumu, un tikai tad uzmanīgi turpiniet griešanu. Pretējā gadījumā griešanas disks var iekļerties griezumā vai izlekt no tā, kā arī var notikt atsitiens.

e) Lai samazinātu atsitienu risku, iestrēgstot griešanas diskam, atbalstiet griezamā materiāla loksnēs vai liela izmēra apstrādājamās priekšmetus. Lielī priekšmeti var saliekties paši sava svara iespaidā. Apstrādājamais priekšmets jāatbalsta abās pusēs – gan griezuma tuvumā, gan arī priekšmeta malā.

f) Ievērojiet īpašu piesardzību, veidojot padziļinājumus sienās vai citos objektos, kas nav aplūkojami no abām pusēm. Iegremdējot griešanas disku materiālā, tas var skart gāzes vadu, ūdensvadu, elektropārvades līniju vai citu objektu, kas savukārt var izraisīt atsitienu un/vai būt par cēloni savainojumam.

Īpašie drošības noteikumi, veicot slipēšanu ar smilšpapīra loksni

a) Neizmantojiet lielāka izmēra sliploksnes, izvēlieties darbam sliploksnes ar izmēriem, ko norādījusi ražotājfirma. Ja sliploksne sniedzas pāri slipēšanas pamatnes malām, tas var būt par cēloni savainojumam, izsaukt sliploksnes iestrēgšanu vai plīšanu, kā arī izraisīt atsitienu.

Īpašie drošības noteikumi, veicot apstrādi ar stieplu suku

a) Pat veicot parastas operācijas, pārliecinieties, lai stieplu sari tiktu pārklāti ar birsti. Attirot vadus, neizdariet uz birsti pārlieku lielu spiedienu. Stieplu sari viegli var izdurties cauri viegļam audumam un savainot ādu.

b) Kausveida diskeveida stieplu sukām spiediena un centrālās spēka iespaidā var palielināties diametrs.

Kontaktligzdām, kas atrodas ārpus telpām jābūt aprikotām ar automātiskiem drošinātājslēdzīem, kas nostrādā, ja strāvas plūsmā radušies (FI, RCD, PRCD) bojājumi. To pieprasa jūsu elektroiekārtas instalācijas noteikumi. Lūdzu, to ņemt vērā, izmantojot mūsu instrumentus.

Skaidas un atlūzas nedrīkst ņemt ārā, kamēr mašīna darbojas.

Mašīnu pievienot kontaktligzdai tikai izslēgtā stāvoklī.

Nelik rokas mašīnas darbības laukā.

Vienmēr vajag izmantot papildus rokturi.

Slīpējot un zāģējot instrumentam vienmēr vajag aizsargpārvalku.

Ja parādās stipras svārstības vai citi defekti, mašīnu vajag nekavējoties izslēgt. Mašīnu vajag nekavējoties pārbaudīt, lai noteiktu traucējumu cēloņus.

Slīpdiskus drīkst izmantot un uzglabāt tikai saskaņā ar ražotāja ieteikumiem.

Slīpējot metālu, rodas dzirkstes. Vajag uzmanīties, lai netiktu apdraudētas personas. Sakarā ar ugunsgrēka draudiem, tuvumā (dzirksteļu tuvumā) nedrīkst atrasties viegli degošas vielas vai priekšmeti. Nedrīkst izmantot putekļu sūcēju.

Mašīnu vajag turēt tā, lai dzirksteles vai slipēšanas rezultātā radušies putekļi lidotu prom no ķermeņa.

Griežot akmeni, noteikti jālieto vadotnes rullim



Disku saturošo uzgriezni pirms mašīnas darba uzsākšanas vajag pievilkt.

Apstrādājama detaļa, ja tā neturas, pamatojoties uz savu svaru, ir jāpiestiprina. Nekādā gadījumā apstrādājamo detaļu nedrīkst spiest pie ripas ar roku.

Izmantojot ekstrēmos lietošanas apstākļos (piem., metālu slīpējot ar šķīvjveida disku un vulkanizētās fibras slīpēšanas diskkiem), leņķa slīpmašīnas iekšpusē var rasties spēcīgs piesārņojums. Šādos lietošanas apstākļos drošības apsverumu dēļ ir nepieciešama kārtīga ierīces iekšpusē attīrīšana no metāla nogulsējumiem, un ir obligāta noplūstrāvas aizsargslēdža (Fiepriekšēja ieslēgšana. Ja FI aizsargslēdzis iedarbojas, ierīce jānodod remontā.


Attiecībā uz slīpēšanas materiāliem, ko paredzēts izmantot ar ripu, kurai ir vītne, vajag pārliecināties par to, ka ripas vītnes izmērs atbilst vārpstas izmēram.

Griežot materiālu, izmantojiet piederumus esošo aizsargu.

NOTEKUMIEM ATBILSTOŠS IZMANTOJUMS

Leņķa slīpmašīnu var pielietot metāla vai citu materiālu pārgriešanai vai slīpēšanai, kā arī slīpējot ar plastmasas ripuvai drašu birsti. Visos gadījumos ievērojiet ražotāja noteiktos drošības noteikumus. Šo instrumentu drīkst izmantot tikai saskaņā ar minētajiem lietošanas noteikumiem.

TIKLA PIESLĒGUMS

 Pieslēgt tikai vienpola maiņstrāvas tiklam un tikai spriegumam, kas norādīts uz jaudas paneļa. Pieslēgums iespējams arī kontaktlīdzdām bez aizsargkontaktiem, jo runa ir par uzbūvi, kas atbilst II. aizsargklasei.

ATBILSTĪBA CE NORMĀM

Mēs apliecinām, ka produkts, kura tehniskie parametri aprakstīti "tehnisko datu lapā", pilnībā atbilst prasībām saskaņā ar direktīvām 2011/65/EU (RoHS), 2004/108/EG, 2006/42/EG un attiecīgajiem harmonizētajiem normatīvajiem dokumentiem:

EN 60745-1:2009

EN 60745-2-3:2011

EN 55014-1:2006 + A1:2009 + A2:2011

EN 55014-2:1997 + A1:2001 + A2:2008

EN 61000-3-2:2006 + A1:2009 + A2:2009

EN 61000-3-3:2008



Winnenden, 2013-05-07

Alexander Krug / Managing Director
Pilnvarotais tehniskās dokumentācijas sastādīšana.

Techtronic Industries GmbH
Max-Eyth-Straße 10, 71364 Winnenden, Germany

APKOPE

Vajag vienmēr uzmanīti, lai būtu tīras dzesēšanas atveres.

Sakarā ar to, ka var izraisīt išslēdzienu, dzesēšanas atverēs nedrīkst iekļūt nekādi metāla priekšmeti.

Izmantojiet tikai firmas Milwaukee piederumus un firmas Milwaukee rezerves daļas. Līciet nomainīt detaļas, kuru nomaīņa nav aprakstīta, kādā no firmu Milwaukee klientu apkalpošanas servisiem. (Skat. brošūru „Garantija/klientu apkalpošanas serviss”).

Pēc pieprasījuma, Jūsu Klientu apkalpošanas centrā vai pie Technotronic Industries GmbH, Max-Eyth-Straße 10, 71364 Winnenden, Vācijā, ir iespējams saņemt iekārtas montāžas rasējumu, iepriekš norādot iekārtas modeli un sērijas numuru, kas atrodas uz datu plāksnītes un sastāv no sešiem simboliem.

ELEKTRONIKA

AGV 12-125 X, AGV 12-125 XPD

Elektroniskā regulētā pakāpeniskā iedarbināšana novērš grūdienvēda iedarbošanos pēc mašīnas iedarbināšanas.

Nullsecības spriegums novērš mašīnas atkārtotu iedarbošanos pēc strāvas plūsmas pārtraukuma. Lai atsāktu darbu, mašīnu vajag izslēgt un vēlreiz ieslēgt.

Ierīcei ir pārslodguma un pret trieciena aizsardzības funkcija un tā apstājas pie atbilstoša noslogojuma. Lūdzu, ievērojiet to, ka mašīna pie noslogojuma atkrišanas atkal patstāvīgi atgriežas tās sākotnējā darba apgrīzeņu skaitā. Pēc darba apgrīzeņu skaita sasniegšanas ierīce ir atkal gatava lietošanai.

SIMBOLI



Pirms sākt lietot instrumentu, lūdzu, izlasiet lietošanas pamācību.



UZMANĪBU! BĪSTAMI!



Strādājot ar mašīnu, vienmēr jānēsā aizsargbrilles.



Pirms jebkādiem darbiem, kas attiecas uz mašīnas apkopi, mašīnu noteikti vajag atvienot no kontaktlīdzdām.



Piederumi - standartprikojumā neietvertās, bet ieteicamās papildus komplektācijas detaļas no piederumu programmas.



Neizmetiet elektroiekārtas sadzīves atkritumos! Saskaņā ar Eiropas Direktīvu 2002/96/EK par lietotajam iekārtam, elektronikas iekārtam un tas iekļaušanu valsts likumdošana lietotas elektroiekārtas ir jāsavac atsevišķi un jānogada otrreizējai pārstrādei videi draudzīga veida.



Aizsardzības kategorija II, elektroierīce, kuru lietojot aizsardzība pret elektrības triecienu ir atkarīga nevis no pamat izolācijas, bet gan no papildus drošības pasākumiem kā dubultā izolācija vai pastiprinātā izolācija.



Lat

Latviski



TECHNINIAI DUOMENYS Kampinis šlifuoכליס	AG 12-115 X (220-240 V)	AG 12-115 X (110-120 V)	AG 12-125 X (220-240 V)
Produkto numeris	4281 36 01... 4280 51 01... 4280 61 01... ... 000001-999999	4281 41 01... 4280 66 01... ... 000001-999999	4280 78 01... ... 000001-999999
Vardinė imamoji galia	1200 W	1200 W	1200 W
Nominalus sūkių skaičius	11000 min ⁻¹	11000 min ⁻¹	11000 min ⁻¹
Šlifavimo diskų ø	115 mm	115 mm	125 mm
Šlifavimo disko storis	6 mm (1/4")	6 mm (1/4")	6 mm (1/4")
Suklio sriegis	M 14	M 14	M 14
Prietaiso svoris įvertintas pagal EPTA 2003/01 tyrimų metodiką.	2,3 kg	2,3 kg	2,3 kg
Informacija apie triukšmą/vibraciją Vertės matuotos pagal EN 60 745. Įvertintas A įrenginio keliamo triukšmo lygis dažniausiai sudaro: Garso slėgio lygis (K=3dB(A)) Garso galios lygis (K=3dB(A)) Nešioti klausos apsaugines priemones!			
Bendroji svyravimų reikšmė (trijų krypčių vektorių suma), nustatyta remiantis EN 60745.			
Paviršių šlifavimas: Vibravimų emisijos reikšmė a _h	7,8 m/s ²	6,8 m/s ²	7,8 m/s ²
Paklaida K=	1,5 m/s ²	1,5 m/s ²	1,5 m/s ²
Šlifavimas su šlifavimo popieriumi: Vibravimų emisijos reikšmė a _h	3,6 m/s ²	4,5 m/s ²	3,6 m/s ²
Paklaida K=	1,5 m/s ²	1,5 m/s ²	1,5 m/s ²

TECHNINIAI DUOMENYS Kampinis šlifuoכליס	AGV 12-125 X (220-240 V)	AGV 12-125 X PD (220-240 V)
Produkto numeris	4280 86 01... ... 000001-999999	4332 41 01... ... 000001-999999
Vardinė imamoji galia	1200 W	1200 W
Nominalus sūkių skaičius	11000 min ⁻¹	11000 min ⁻¹
Šlifavimo diskų ø	125 mm	125 mm
Šlifavimo disko storis	6 mm (1/4")	6 mm (1/4")
Suklio sriegis	M 14	M 14
Prietaiso svoris įvertintas pagal EPTA 2003/01 tyrimų metodiką.	2,4 kg	2,4 kg
Informacija apie triukšmą/vibraciją Vertės matuotos pagal EN 60 745. Įvertintas A įrenginio keliamo triukšmo lygis dažniausiai sudaro: Garso slėgio lygis (K=3dB(A)) Garso galios lygis (K=3dB(A)) Nešioti klausos apsaugines priemones!		
Bendroji svyravimų reikšmė (trijų krypčių vektorių suma), nustatyta remiantis EN 60745.		
Paviršių šlifavimas: Vibravimų emisijos reikšmė a _h	7,8 m/s ²	7,8 m/s ²
Paklaida K=	1,5 m/s ²	1,5 m/s ²
Šlifavimas su šlifavimo popieriumi: Vibravimų emisijos reikšmė a _h	3,6 m/s ²	3,6 m/s ²
Paklaida K=	1,5 m/s ²	1,5 m/s ²

DĖMESIO

Instrukcijoje nurodyta svyravimų ribinė vertė yra išmatuota remiantis standartu EN 60745; ji gali būti naudojama keliems elektriniams instrumentams palyginti. Ji taikoma ir laikinai įvertinti svyravimų apkrovą.

Nurodyta svyravimų ribinė vertė yra taikoma pagrindinėse elektrinio instrumento naudojimo srityse. Svyravimų ribinė vertė gali skirtis naudojant elektrinį instrumentą kitose srityse, papildomai naudojant netinkamus elektrinius instrumentus arba juos nepakankamai techniškai prižiūrint. Dėl to viso darbo metu gali žymiai padidėti svyravimų apkrova.

Siekiant tiksliai nustatyti svyravimų apkrovą, būtina atsižvelgti ir į laikotarpį, kai įrenginys yra išjungtas arba įjungtas, tačiau faktiškai nenaudojamas. Dėl to viso darbo metu gali žymiai sumažėti svyravimų apkrova.

Siekiant apsaugoti vartotojus nuo svyravimo įtakos naudojamos papildomos saugos priemonės, pavyzdžiui, elektrinių darbo instrumentų techninė priežiūra, rankų šilumos palaikymas, darbo procesų organizavimas.



DĖMESIO! Perskaitykite visas saugumo pastabas ir nurodymus, esančius pridėtoje brošiūroje. Jei nepaisysite žemiau pateiktų saugos nuorodų ir reikalavimų, gali trenkti elektros smūgis, kilti gaisras ir/arba galite sunkiai susižaloti arba sužaloti kitus asmenis.

Išsaugokite šias saugos nuorodas ir reikalavimus, kad ir ateityje galėtumėte jais pasinaudoti.

YPATINGOS SAUGUMO NUORODOS

Bendros įspėjamosios nuorodos, kurių būtina laikytis šlifuojant, naudojant šlifavimo popieriaus diskus, dirbant su vieliniais šepčiais, poliruojant ir pjaustant:

a) Šį elektrinį prietaisą galima naudoti kaip šlifavimo mašiną, skirtą šlifuoti abrazyvinius diskus, šlifavimo popieriumi, vieliniais šepčiais bei pjauštymo mašiną.. Griežtai laikytis visų įspėjamųjų nuorodų, taisyklių, ženklų ir užrašų, kurie yra pateikiami su šiuo prietaisu, reikalavimų. Jei nepaisysite toliau pateiktų nuorodų, kurių kilti elektros smūgio, gaisro ir/arba sunkių sužalojimų pavojus.

b) Šis elektrinis įrankis netinka poliruoti. Naudoti elektrinį įrankį darbai, kurių jis nėra skirtas, ypač pavojinga; toks darbas kelia sužalojimų pavojų.

c) Nenaudokite jokių priedų ir papildomos įrangos, kurių gamintojas nėra specialiai numatęs ir rekomendavęs šiam elektriniam prietaisui. Vien tik tas faktas, kad Jūs galite pritvirtinti kokį nors priedą prie elektrinio prietaiso, jokiu būdu negarantuoja, kad juo bus saugu naudotis.

d) Panaudojamų dalių leistinas apsisukimų skaičius turi būti mažiausiai tokio dydžio, koks yra nurodytas didžiausias apsisukimų skaičius ant elektros prietaiso. Dalys, kurios sukasi greičiau negu yra leistina, gali sulūžti ir skristi į šalis.

e) Naudojama įrankio išorinis skersmuo ir storis turi atitikti nurodytus Jūsų elektrinio prietaiso matmenis. Netinkamų matmenų įrankius gali būti sunku tinkamai apdengti bei valdyti.

f) Šlifavimo diskai, jungės, šlifavimo žiedai ar kiti darbo įrankiai turi tiksliai tikti elektrinio prietaiso šlifavimo sukliui. Darbo įrankiai, kurie tiksliai netinka šlifavimo sukliui, sukasi netolygiai, labai stipriai vibruoja ir gali tapti nebevaldomi.

g) Nenaudokite pažeistų darbo įrankių. Prieš kiekvieną naudojimą patikrinkite darbo įrankius, pvz., šlifavimo diskus – ar jie nėra aplūžinėję ir įtrūkę, šlifavimo žiedus – ar jie nėra įtrūkę, susidėvėję ir labai nudilę, vielinius šepčius – ar jų vielutės nėra atsilaisvinusios ar nutrukusios. Jei elektrinis prietaisas ar darbo įrankis nukrito iš didesnio aukščio, patikrinkite, ar jis nėra pažeistas, arba naudokite kitą, nepažeistą, darbo įrankį. Patikrinę ir sumontavę darbo įrankį pasirūpinkite, kad nei Jūs, nei greta esantys asmenys nebūtų besisukančio darbo įrankio plokštumoje, ir leiskite elektriniam prietaisui vieną minutę veikti didžiausiu sukų skaičiumi. Jei darbo įrankis pažeistas, per šį bandomąjį laiką jis turėtų subyrėti.

h) Dirbkite su asmeninėmis apsaugos priemonėmis. Atitinkamai pagal atliekamą darbą užsidėkite viso veido apsaugos priemonės, akių apsaugos priemonės ar apsauginius akinius. Jei nurodyta, užsidėkite apsauginį respiratorių nuo dulkių, klausos apsaugos priemonės, apsaugines pirštines ir specialią prijuostę, kuri apsaugos Jus nuo smulkių šlifavimo ir ruošinio dalelių. Akys turi būti apsaugotos nuo aplink lekiančių svetimkūnių, atsirandančių atliekant įvairius darbus. Respiratorius arba apsauginę kaukę turi išfiltruoti darbo metu kylančias dulkes. Dėl ilgalaikio ir stipraus triukšmo poveikio galite prarasti klausą.

i) Pasirūpinkite, kad kiti asmenys būtų saugiu atstumu nuo Jūsų darbo zonos. Kiekvienas, įžengęs į darbo zoną, turi būti su asmeninėmis apsaugos priemonėmis. Ruošinio gabalėliai ar atskilusios darbo įrankio dalelės gali skrieti dideliu greičiu ir sužeisti net už tiesioginės darbo zonos ribų esančius asmenis.

j) Jei yra tikimybė, jog dirbant įrankis gali klydyti paslėptą laidą, prietaisą laikykite tik už izoliuotų rankenų. Pjovimo įrenginio kontaktas su įtampos laidais gali įelektrinti metalines prietaiso dalis, o tai gali sukelti elektros iškrovą.

k) Maitinimo laidą laikykite toliau nuo besisukančių darbo įrankių. Jei nebesuvaldytumėte prietaiso, darbo įrankis gali perpjauti maitinimo laidą arba jį įtraukti, o Jūsų plauštaka ar ranka gali patekti į besisukančių darbo įrankį.

l) Niekada nepadėkite elektrinio prietaiso, kol darbo įrankis visiškai nesustojo. Besisukantis darbo įrankis gali prisiliesti prie paviršiaus, ant kurio padedate prietaisą, ir elektrinis įrankis gali tapti nebevaldomas.

m) Nešdami prietaisą jo niekada neįjunkite. Netyčia prisilietus prie besisukančio darbo įrankio, jis gali įtraukti drabužius ir Jus sužeisti.

n) Reguliariai valykite elektrinio prietaiso ventiliacines angas. Variklio ventiliatorius traukia dulkes į korpusą, ir susikaupus daug metalo dulkių gali kilti elektros smūgio pavojus.

o) Nenaudokite elektrinio prietaiso arti degių medžiagų. Kibirkštys šias medžiagas gali uždegti.

p) Nenaudokite darbo įrankių, kuriuos reikia ausinti skysčiais. Naudojant vandenį ar kitokius ausinamuosius skysčius gali trenkti elektros smūgis.

Atatranka ir atitinkamos įspėjamosios nuorodos

Atatranka yra staigi reakcija, atsirandanti, kai besisukantis darbo įrankis, pvz., šlifavimo diskas, šlifavimo žiedas, vielinis šepčys ar kt., ruošinyje įstringa ar užsiblokuoja ir todėl netikėtai sustoja. Todėl elektrinis prietaisas gali nekontroliuojamai atsokti nuo ruošinio priešinga darbo įrankio sukimosi kryptimi.

Pvz., jei ruošinyje įstringa ar yra užblokuojamas šlifavimo diskas, disko briauna, kuri yra ruošinyje, gali išlūžti ar sukelti atatranką. Tada šlifavimo diskas, priklausomai nuo jo sukimosi krypties blokavimo vietoje, pradeda judėti link dirbančiojo arba nuo jo. Tada šlifavimo diskas gali net nulūžti.

Atatranka yra netinkamo elektrinio prietaiso naudojimo ar gedimo pasekmė. Jos galite išvengti, jei imsitės atitinkamų, žemiau aprašytų priemonių.

a) Dirbdami visada tvirtai laikykite prietaisą abiem rankom ir stenkitės išlaikyti tokią kūno ir rankų padėtį, kurioje sugebėtumėte atsispirti prietaiso pasipriešinimo jėgai atatrankos metu. Jei yra papildoma rankena, visada ją naudokite, tada galėsite suvaldyti atatrankos jėgas bei reakcijos jėgų momentą. Dirbantysis, jei imsis tinkamų saugos priemonių, gali suvaldyti reakcijos jėgas atatrankos metu.

b) Niekada nelaikykite rankų arti besisukančio darbo įrankio. Įvykus atatrankai įrankis gali pataikyti į Jūsų ranką.

c) Venkite, kad Jūsų rankos būtų toje zonoje, kurioje įvykus atatrankai judės elektrinis prietaisas. Atatrankos jėga verčia elektrinį prietaisą judėti nuo blokavimo vietos priešinga šlifavimo disko sukimosi kryptimi.

d) Ypač atsargiai dirbkite kampuose, ties aštriomis briaunomis ir t. t. Saugokite, kad darbo įrankis neatsimuštų į kliūtis ir neįstrigtų. Besisukantis darbo įrankis kampuose, ties aštriomis briaunomis arba atsimušęs į kliūtį turi tendenciją užstrigti. Tada prietaisas tampa nevaldomas arba įvyksta atatranka.



e) **Draudžiama naudoti pjovimo grandines arba dantytus pjūklelius.** Šie darbiniai įrankiai dažnai sukelia atatrąką arba su jais prarandama elektrinio įrankio kontrolė.

Specialios įspėjamosios nuorodos atliekantiems šlifavimo ir pjovimo darbus

a) **Naudokite tik su šiuo prietaisu leidžiamus naudoti šlifavimo įrankius ir šiems įrankiams pritaikytus apsauginius gaubtus.** Šlifavimo įrankiai, kurie nėra skirti šiam elektriniam prietaisui, gali būti nepakankamai uždengiami ir nesaugūs naudoti.

b) **Šlifavimo diskus reikia įstatyti taip, kad šlifavimo paviršius neišikištų už apsauginio gaubto krašto.** Neteisingai įstatytas šlifavimo diskas, išsikišęs už apsauginio gaubto krašto, nebus pakankamai apsaugotas.

c) **Visada naudokite tokį apsauginį gaubtą, kuris yra skirtas naudojamam šlifavimo įrankiui.** Apsauginis gaubtas turi būti patikimai pritvirtintas prie elektrinio prietaiso ir nustatytas į tokį padėtį, kad dirbančiam būtų užtikrintas didžiausias saugumas, t. y. šlifavimo įrankis neturi būti nukreiptas į dirbantįjį. Apsauginis gaubtas turi apsaugoti dirbantįjį nuo atskilusių ruošinio ar įrankio dalelių ir atsitiktinio prisilietimo prie šlifavimo įrankio.

d) **Šlifavimo įrankius leidžiama naudoti tik pagal rekomenduojamą paskirtį. Pvz., niekada nešlifaukite pjovimo disko šoniniu paviršiumi.** Pjovimo diskai yra skirti medžiagai pjaunamajai briauna pašalinti. Nuo šoninės apkrovos šie šlifavimo įrankiai gali sulūžti.

e) **Jūsų pasirinktiems šlifavimo diskams tvirtinti visada naudokite nepažeistas tinkamo dydžio ir formos prispaudžiamąsias junges.** Tinkamos jungės prilaiko šlifavimo diską ir sumažina lūžimo pavojų. Pjovimo diskams skirtos jungės gali skirtis nuo kitiems šlifavimo diskams skirtų jungių.

f) **Nenaudokite sudilusių diskų, prieš tai naudotų su didesnėmis šlifavimo mašinomis.** Šlifavimo diskai, skirti didesniems elektriniams prietaisams, nėra pritaikyti prie didelio mažųjų prietaisų išvystomo sukčių skaičiaus ir gali sulūžti.

Specialios įspėjamosios nuorodos atliekantiems pjovimo darbus

a) **Venkite užblokuoti pjovimo diską ir nespaukite jo per stipriai prie ruošinio. Nemėginkite atlikti pernelyg gilių pjūvių.** Per stipriai prispaudus pjovimo diską, padidėja jam tenkanti apkrova ir atsiranda didesnė tikimybė jį pakreipti bei užblokuoti pjūvyje, vadinasi padidėja atatrąkos ir disko lūžimo rizika.

b) **Venkite būti zonoje prieš ir už besisukančio pjovimo disko.** Kai pjaudami ruošinį pjovimo diską stumiate nuo savęs, įvykus atatrąkai elektrinis prietaisas su besisukančiu disku pradės judėti tiesiai į Jus.

c) **Jei pjovimo diskas užstringa arba Jūs norite nutraukti darbą, išjunkite elektrinį prietaisą ir laikykite jį ramiai, kol diskas visiškai nustos sukstis. Niekada nemėginkite iš pjūvio vietos ištraukti dar tebesisukančią diską, nes gali įvykti atatrąka.** Nustatykite ir pašalinkite disko strigtimo priežastį.

d) **Nejunkite elektrinio prietaiso iš naujo tol, kol diskas neištrauktas iš ruošinio. Palaukite, kol pjovimo diskas pasieks darbinį sukčių skaičių, ir tik tada atsargiai tęskite pjovimą.** Priešingu atveju diskas gali užstrigti, išsokti iš ruošinio ar sukelti atatrąką.

e) **Plokštes ar didelius ruošinius paremkite, kad sumažintumėte atatrąkos riziką dėl užstrigusio pjovimo disko.** Dideli ruošiniai gali išlinkti dėl savo svorio. Ruošinį reikia paremti iš abiejų pusių, tiek ties pjūvio vieta, tiek ir prie krašto.

f) **Būkite ypač atsargūs pjaudami sienose ar kituose nepermatomuose paviršiuose.** Panyrantis pjovimo diskas gali pažeisti elektros laidus, dujotiekio ar vandentiekio vamzdžius ar kitus objektus ir sukelti atatrąką.

Specialios įspėjamosios nuorodos atliekantiems šlifavimo naudojant šlifavimo popierių darbus

a) **Nenaudokite per didelių matmenų šlifavimo popieriaus, laikykitės gamintojo pateiktų šlifavimo popieriaus matmenų.** Už šlifavimo žiedo kyšantis šlifavimo popierius gali sužaloti, užblokuoti, šlifavimo popierius gali įplysti ar įvykti atatrąka.

Specialios įspėjamosios nuorodos dirbantiems su vieliniais šepečiais

a) **Žinokite, kad vielos šeriai krenta iš šepečio net paprasto darbo metu. Per daug neapkraukite šerių pernelyg spausdami šepetį.** Vieliniai šeriai gali lengvai pradurti plonus drabužius ir / arba odą.

b) **Jei rekomenduojama dirbti su apsauginiu gaubtu, saugokite, kad vielinis šepetys nesiliesų apsauginio gaubto.** Apvalių (lekštės tipir cilindrinų šepečių skersmuo dėl spaudimo jėgos ir išcentrinųjų jėgų gali padidėti.

Lauke esantys el. lizdai turi būti su gedimo srovės išjungikliais. Tai nurodyta Jūsų elektros įrenginio instaliacijos taisyklėse (FI, RCD, PRCD). Atsižvelkite į tai, naudodami prietaisą.

Draudžiama išiminti drožles ar nuopjovas, įrenginiui veikiant.

Kištuką į lizdą įstatykite, tik kai įrenginys išjungtas.

Nekiškite rankų į veikiančio įrenginio pavojaus zoną.

Visada naudokite papildomą rankeną.

Grandytiniai ir pjaudami visada dirbkite su apsauginiu gaubtu.

Prietaisą tuoj pat išjunkite, jei atsiranda stiprus virpesiai arba kiti trūkumai. Patikrinkite įrenginį ir nustatykite priežastį.

Šlifavimo diskus visada naudokite ir laikykite pagal gamintojo nurodymus.

Šlifuojant metalu lekia kibirkštys. Atkreipkite dėmesį, kad nesukeltumėte pavojaus kitiems asmenims. Dėl gaisro pavojaus arti (kibirkščių lėkimo srityje) neturi būti jokių degių medžiagų. Nenaudokite dulkių nusiurbimo.

Prietaisą visada laikykite taip, kad dulksė ir kibirkštys luktų nuo kūno tolyn.

Pjaunant akmenį, būtina naudoti važiuoklę.

Prieš paleidžiant įrenginį, reikia priveržti jungės veržlę.

Apdorojama detalė, jei ji nesilaiko savo svorio, visada turi būti įtvirtinta. Niekada detalių liko disko neveskite ranka.

Kampinį šlifuklį naudojant ekstremaliomis sąlygomis (pvz., kai, naudojant atraminį diską ir šlifavimo diskus iš vulkanizuotos celulozės, šlifavimu lyginami metalai), jo vidus gali labai užsiteršti. Saugumo sumetimais, esant tokioms eksploatacijos sąlygoms, būtina vidų kruopščiai valyti nuo metalo nuosėdų ir privaloma jungti per apsauginį nuotekio srovės (F) jungiklį. Apsauginiam FI jungikliui suveikus mašiną reikia atsijusti remontui.

Jei prie šlifavimo priemonės reikia naudoti ir diską su sriegiu, įsitikinkite, kad disko sriegio ilgis pakankamas sukliui.

Atlikdami pjovimo darbus naudokite reikmenų komplektą esantį apsauginį šalną.



NAUDOJIMAS PAGAL PASKIRTĮ

Kampinė šlifavimo mašina yra naudojama medžiagoms, pvz. metalui arba akmeniui, pjauti ir atlikti rupųjį šlifavimą arba šlifuoti plastmasinių šlifavimo diskų bei atlikti darbus šepetėliu metaliniams šeriais. Kilus abejonėms, atkreipkite dėmesį į priemonių gamintojų nurodymus.

Šį prietaisą leidžiama naudoti tik pagal nurodytą paskirtį.

ELEKTROS TINKLO JUNGTIŠ



Jungti tik prie vienfazės kintamos elektros srovės ir tik į specifikacijų lentelėje nurodytos įtampos elektros tinklą. Konstrukcijos saugos klasė II, todėl galima jungti ir į lizdus be apsauginio kontakto.

CE ATITIKTIES PAREIŠKIMAS

Remiantis bendrais atsakomybės reikalavimais pareiškiamo, jog skyriuje "Techniniai duomenys" aprašytas produktas atitinka visus toliau pateiktų juridinių direktyvų reikalavimus: 2011/65/ EU (RoHS), 2004/108/EB, 2006/42/EB ir kitus su jomis susijusius norminius dokumentus:

EN 60745-1:2009

EN 60745-2-3:2011

EN 55014-1:2006 + A1:2009 + A2:2011

EN 55014-2:1997 + A1:2001 + A2:2008

EN 61000-3-2:2006 + A1:2009 + A2:2009

EN 61000-3-3:2008



Winnenden, 2013-05-07

Alexander Krug / Managing Director
Įgaliotas parengti techninius dokumentus.

Techtronic Industries GmbH
Max-Eyth-Straße 10, 71364 Winnenden, Germany

TECHNINIS APTARNAVIMAS

Įrenginio vėdinimo angos visada turi būti švarios.

Saugokite, kad metalinės dalys nepatektų į vėdinimo angas – trumpojo jungimo pavojus.

Naudokite tik „Milwaukee“ priedus ir „Milwaukee“ atsargines dalis. Dalis, kurių keitimas neaprašytas, leidžiama keisti tik „Milwaukee“ klientų aptarnavimo skyriams (žr. garantiją/klientų aptarnavimo skyrių adresus brošiūroje).

Esant poreikiui, nurodžius mašinos modelį ir šešiaženklį numerį, esantį ant specifikacijų lentelės, klientų aptarnavimo centre arba tiesiogiai „Techtronic Industries GmbH“, Max-Eyth-Str. 10, 71364 Winnenden, Vokietija, galite užsakyti išplėstinį prietaiso brėžinį.

ELEKTRONINIS VALDYMAS

AGV 12-125 X, AGV 12-125 XPD

Saugiam valdymui - elektroninis tolygaus paleidimo reguliatorius, užkertantis kelių įrenginio trūkčiojimui, jį paleidžiant.

Nulinės įtampos jungiklis neleidžia vėl įsijungti įrenginiui po to, kai buvo nutrukęs elektros energijos tiekimas. Kad galėtumėte dirbti toliau, įrenginį išjunkite ir įjunkite vėl.

Prietaisas turi apsauginę perkrovos bei antiatitranksos funkciją. Esant tam tikrai perkrovai, prietaisas nustoja veikti. Atkreipkite dėmesį, kad po perkrovos įrenginiui automatiškai gįžta pradinis darbo greitis. Pasiekus darbo greitį, prietaisą vėl galima naudoti.

SIMBOLIAI



Prieš pradėdami dirbti su prietaisu, atidžiai perskaitykite jo naudojimo instrukciją.



DĖMESIO! ĮSPĖJIMAS! PAVOJUS!



Dirbdami su įrenginiu visada nešiokite apsauginius akinius.



Prieš atlikdami bet kokius įrenginyje, ištraukite iš lizdo kištuką.



Priedas – neįeina į tiekimo komplektaciją, rekomenduojamas papildymas iš priedų asortimento.



Neišmeskite elektros įrengimų ir buitinius šiukšlynus! Pagal ES Direktyva 2002/96/EB dėl naudoto įrengimų, elektros įrengimų ir jų itraukimo į valstybinius įstatymus naudotus įrengimus būtina suringti atskirai ir nugabenti antriniu žaliavu perdirbimui aplinkai nekenksmingu būdu.



II-os apsaugos klasės elektros prietaisas, kuris nuo elektros srovės poveikio yra apsaugotas ne tik pagrindine izoliacija, bet ir tokiomis papildomomis apsauginėmis priemonėmis, kaip dviguba arba sustiprinta izoliacija.



TEHNILISED ANDMED Nurgalihvimismasin	AG 12-115 X (220-240 V)	AG 12-115 X (110-120 V)	AG 12-125 X (220-240 V)
Tootmisnumber	4281 36 01... 4280 51 01... 4280 61 01... ... 000001-999999	4281 41 01... 4280 66 01... ... 000001-999999	4280 78 01... ... 000001-999999
Nimitarbimine	1200 W	1200 W	1200 W
Nimipöörded	11000 min ⁻¹	11000 min ⁻¹	11000 min ⁻¹
Lihvketta ø	115 mm	115 mm	125 mm
Lihvketta paksus	6 mm (1/4")	6 mm (1/4")	6 mm (1/4")
Spindlikeere	M 14	M 14	M 14
Kaal vastavalt EPTA-protseduurile 01/2003	2,3 kg	2,3 kg	2,3 kg
Müra/vibratsiooni andmed Möötevärtused on kindlaks tehtud vastavalt normile EN 60 745. Seadme tüüpiline hinnanguline (müratase): Helirõhutase (K=3dB(A)) Helivõimsuse tase (K=3dB(A)) Kandke kaitseks kõrvaklappe!	89,0 dB(A) 100,0 dB(A)	89,5 dB(A) 100,5 dB(A)	89,0 dB(A) 100,0 dB(A)
Vibratsiooni koguväärtus (kolme suuna vektorsummöödetud EN 60745 järgi). Pindlihvimine: Vibratsiooni emissiooni väärtus a _h Määramatus K= Lihvlehega lihvimine: Vibratsiooni emissiooni väärtus a _h Määramatus K=	7,8 m/s ² 1,5 m/s ² 3,6 m/s ² 1,5 m/s ²	6,8 m/s ² 1,5 m/s ² 4,5 m/s ² 1,5 m/s ²	7,8 m/s ² 1,5 m/s ² 3,6 m/s ² 1,5 m/s ²



TEHNILISED ANDMED Nurgalihvimismasin	AGV 12-125 X (220-240 V)	AGV 12-125 X PD (220-240 V)
Tootmisnumber	4280 86 01... ... 000001-999999	4332 41 01... ... 000001-999999
Nimitarbimine	1200 W	1200 W
Nimipöörded	11000 min ⁻¹	11000 min ⁻¹
Lihvketta ø	125 mm	125 mm
Lihvketta paksus	6 mm (1/4")	6 mm (1/4")
Spindlikeere	M 14	M 14
Kaal vastavalt EPTA-protseduurile 01/2003	2,4 kg	2,4 kg
Müra/vibratsiooni andmed Möötevärtused on kindlaks tehtud vastavalt normile EN 60 745. Seadme tüüpiline hinnanguline (müratase): Helirõhutase (K=3dB(A)) Helivõimsuse tase (K=3dB(A)) Kandke kaitseks kõrvaklappe!	89,0 dB(A) 100,0 dB(A)	89,0 dB(A) 100,0 dB(A)
Vibratsiooni koguväärtus (kolme suuna vektorsummöödetud EN 60745 järgi). Pindlihvimine: Vibratsiooni emissiooni väärtus a _h Määramatus K= Lihvlehega lihvimine: Vibratsiooni emissiooni väärtus a _h Määramatus K=	7,8 m/s ² 1,5 m/s ² 3,6 m/s ² 1,5 m/s ²	7,8 m/s ² 1,5 m/s ² 3,6 m/s ² 1,5 m/s ²

TÄHELEPANU

Antud juhendis toodud võnketase on möödetud EN 60745 standardile vastava mõõtesüsteemiga ning seda võib kasutada erinevate elektriseadmete omavahelises võrdlemises. Antud näitaja sobib ka esmaseks võnkekoormuse hindamiseks.

Antud võnketase kehtib elektriseadme kasutamisel sihtotstarbelselt. Kui elektriseadet kasutatakse muudel otstarvetel, muude tööriistadega või seda ei hooldata piisavalt võib võnketase siintoodust erineda. Eeltoodu võib võnketaset märkimisväärselt tõsta terves töökeskkonnas. Võnketaseme täpseks hindamiseks tuleks arvestada ka aega, mil seade on välja lülitatud või on küll sisse lülitatud, kuid ei ole otseselt kasutusel. See võib märgatavalt vähendada kogu töökeskkonna võnketaset.

Rakendage spetsiaalseid ettevaatusabinõusid töötajate suhtes, kes puutuvad töö käigus palju kokku vibratsiooniga. Nendeks abinõudeks võivad olla, näiteks: elektri- ja tööseadmete korraline hooldus, käte soojendamine, töövoo parem organiseerimine.



TÄHELEPANU! Lugege kõik ohutusnõuanded ja juhendid läbi, ka juures olevast brošüürist. Ohutusnõuete ja juhiste eiramise tagajärjeks võib olla elektrilöökk, tulekahju ja/või rasked vigastused.
Hoidke kõik ohutusnõuded ja juhised edasiseks kasutamiseks hoolikalt alles.

SPETSIAALSED TURVAJUHISED

Ühised ohutusjuhised lihvimiseks, liivpaberiga lihvimiseks, traatharjaga töötlemiseks, poleerimiseks ja lõikamiseks:

a) Käesolev elektriline tööriist on ette nähtud lihvimiseks, liivpaberiga lihvimiseks, traatharjaga töötlemiseks ja lõikamiseks. Järgige kõiki tööriistaga kaasasolevaid hoiatusi, juhiseid, jooniseid ja tehnilisi andmeid. Järgnevalt toodud juhiste eiramise tagajärjeks võib olla elektrilöökk, tulekahju ja/või rasked vigastused.

b) See elektriline tööriist ei sobi poleerimiseks. Elektrilise tööriista kasutamine otstarbel, milleks see ei ole ette nähtud, on ohtlik ja võib põhjustada vigastusi.

c) Ärge kasutage tarvikuid, mida ei ole tootja selle elektrilise tööriista jaoks ette näinud ega soovitanud. Asjaolu, et saate tarvikud oma seadme külge kinnitada, ei taga veel seadme ohutut tööd.

d) Instrumenti lubatud pöörete arv peab olema vähemalt sama suur kui elektritööriista märgitud maksimaalne pöörete arv. Tarvikud, mis pöörlevad lubatust kiiremini, võivad murduda ja lendu paiskuda.

e) Tarviku välisläbimõõt ja paksus peavad vastama elektrilise tööriista mõõtmetele. Valede mõõtmetega tarvikuid ei kata kaitsekate piisavalt määral, mistõttu võivad need kontrolli alt väljuda.

f) Lihvkettad, seibid, lihvallad ja teised tarvikud peavad elektrilise tööriista spindli läbimõõduga täpselt sobima. Tarvikud, mis spindli läbimõõduga täpselt ei sobi, pöörlevad ebahühtlaselt, vibreerivad tugevalt ja võivad põhjustada kontrolli kaotuse seadme üle.

g) Ärge kasutage vigastatud tarvikuid. Iga kord enne kasutust kontrollige tarvikuid, näiteks lihvkettaid ja lihvallu pragude või kulumise suhtes, traatharju lahtiste või murdunud traatide suhtes. Kui seade või tarvik kukub maha, siis veenduge, et see ei ole vigastatud, või kasutage vajaduse korral vigastamata tarvikut. Kui olete tarviku üle vaadanud ja kohale asetanud, laske seadmel ühe minuti jooksul töötada maksimaalsel pöoretel. Seejuures ärge asetsege pöörleva tarvikuga ühel tasandil ja veenduge, et seda ei tee ka läheduses viibivad inimesed. Selle katseaja jooksul vigastatud tarvikud üldjuhul purunevad.

h) Kandke isikukaitsevahendeid. Kasutage vastavalt kasutusotstarbele näomaski, silmakaitset või kaitsepeile. Vajaduse korral kandke tolmuaitsemaski, kuulmiskaitsevahendeid, kaitsekindaid või kaitsepolle, mis kaitseb Teid lihvimisel eralduvate väikeste osakeste eest. Silmad peavad olema kaitstud seadme kasutamisel eralduvate vöörkehade eest. Tolmu- või hingamisteede kaitsemaskid peavad filtreerima kasutamisel tekkinud tolmu. Pikaajaline vali müra võib kahjustada kuulmist.

i) Veenduge, et teised inimesed on tööpiirkonnast ohutuskauguses. Igaüks, kes tööpiirkonda siseneb, peab kandma isikukaitsevahendeid. Tooriku või tarviku murdunud tükid võivad eemale paiskuda ja põhjustada vigastusi ka väljaspool tsest tööpiirkonda.

j) Kui esineb oht, et seade võib tabada varjatud elektrijuhtmeid või omaenda toitejuhet, tohib seadet hoida üksnes isoleeritud käepidemetest. Kokkupuude pingestatud juhtmega võib pingestada ka lõikeseadme metallist osad ning põhjustada elektrilöögi.

k) Hoidke toitejuhe pöörlevatest tarvikutest eemal.

Kontrolli kaotusel seadme üle tekib toitejuhtme läbilõikamise või kaasahaaramise oht ning Teie käsi võib pöörleva tarvikuga kokku puutuda.

l) Pöörlev tarvik võib aluspinnaga kokku puutuda, mille tagajärjeks võib olla kontrolli kaotus seadme üle.

m) Seadme transportimise ajal ärge laske seadmel töötada.

Teie rõivad võivad pöörleva tarvikuga juhuslikult kokku puutuda ning tarvik võib tungida Teie kehase.

n) Puhastage regulaarselt seadme ventilatsioonivahendid.

Mootori ventilaator tõmbab tolmu korpusesse, kuhjuv metallitolm võib põhjustada elektrilisi ohte.

o) Ärge kasutage seadet kergesti süttivate materjalide läheduses. Sädemete tõttu võivad need materjalid süttida.

p) Ärge kasutage tarvikuid, mille puhul tuleb kasutada jahutusvedelikke. Vee või teiste jahutusvedelike kasutamine võib põhjustada elektrilöögi.

Tagasilöökk ja asjaomased ohutusnõuded

Tagasilöök on kinnikiilduvast tarvikust, näiteks lihvkettast, lihvallast, traatharjast vmt tingitud järsk reaktsioon. Kinnikiildumine põhjustab tarviku järsku seiskumise. Selle tagajärjel liigub seade kontrollimatult tarviku pöörlemissuunale vastupidises suunas.

Kui näiteks lihvketas toorikus kinni kiildub, võib tagajärjeks olla tagasilöök või lihvketta murdumine. Lihvketas liigub sõltuvalt ketta pöörlemissuunast kas seadme kasutaja poole või kasutajat eemal. Seejuures võivad lihvkettad ka murduda.

Tagasilöök on seadme ebaõige kasutamise või valede töövõtete tagajärg. Seda saab vältida, rakendades järgnevalt kirjeldatud sobivaid ettevaatusabinõusid.

a) Hoidke seadet tugevasti kinni ja viige oma keha ja käed asendisse, milles saate tagasilöögi juures vastu astuda. Suurima kontrolli saavutamiseks tagasilöögi juures või reaktsioonimomentide üle kasutage alati lisakäepidet, kui see on olemas. Seadme kasutaja suudab sobivaid ettevaatusabinõusid rakendades tagasilöögi- ja reaktsioonijõudusid kontrollida.

b) Ärge viige oma kätt kunagi pöörlevate tarvikute lähedusse. Tagasilöögi puhul võib tarvik liikuda üle Teie käe.

c) Vältige oma kehaga piirkonda, kuhu seade tagasilöögi puhul liigub. Tagasilöök viib seadme lihvketta liikumissuunale vastupidises suunas.

d) Eriti ettevaatlikult töötage nurkade, teravate servade jmt piirkonnas. Hoidke ära tarvikute tagasipõrkumine toorikult ja kinnikiildumine. Pöörlev tarvik kalduv nurkades, teravates servades ja tagasipõrkumise korral kinni kiilduma. See põhjustab kontrolli kaotuse seadme üle või tagasilöögi.

e) Ärge kasutage kettsaelahte ega hambulise servaga saelahte. Sellised instrumentid võivad kutsuda sageli esile tagasilöögi või põhjustada elektritööriista üle kontrolli kaotamise.

Spetsiifilised ohutusnõuded lihvimisel ja lõikamisel

a) Kasutage üksnes elektrilise tööriista jaoks ette nähtud lihvimistarvikut ja selle lihvimistarviku jaoks ette nähtud kettakaitset. Lihvimistarvikuid, mis ei ole elektrilise tööriista jaoks ette nähtud, ei kata kettakaitse piisavalt ning seetõttu on need ohtlikud.



Est

b) Astmelised lihvketad tuleb monteerida nii, et nende lihvipind ei ulatu kaitsekatte serva tasandist väljapoole. Asjatundmatult monteeritud lihvketast, mis ulatub kaitsekatte serva tasandist väljapoole, pole võimalik piisavalt varjestada.

c) Kasutage alati kettakaitset, mis on kasutatavat tüüpi lihvistarviku jaoks ette nähtud. Kettakaitse peab olema seadme külge kindlalt kinnitatud ja seadistatud nii, et tagatud oleks maksimaalne turvalisus, s. t et seadme kasutaja poole peab alati jääma kettakaitses suletud külg. Kettakaitses peab kasutatav kaitsema eemalepiskuvate osakeste ja lihvistarviku juhusliku kokkupuute eest.

d) Lihvistarvikuid tohib kasutada üksnes soovitatud kasutusotstarvetel. Näiteks: Ärge kunagi kasutage lihvimiseks löikeketta külgpinda. Löikekettad on ette nähtud materjali löikamiseks ketta servaga. Külgsuunas rakendatavate jõudude toimel võivad need kettad puruneda.

e) Kasutage valitud lihvketta jaoks alati õige suuruse ja kujuga ning vigastamata seibi. Sobivad seibid kaitsevad lihvketast ja vähendavad lihvketta purunemise ohtu. Löikeketaste seibid võivad lihvketaste seibidest erineda.

f) Ärge kasutage suuremate elektriliste tööriistade kulunud lihvkettaid. Suuremate elektriliste tööriistade lihvketad ei ole ette nähtud kasutamiseks väiksemate seadmete kõrgemal pöoretel ja võivad puruneda.

Täiendavad spetsiifilised ohutusnõuded löikamiseks

a) Vältige löikeketta kinnikiildumist või liiga suurt rakendatavat survet. Ärge tehke liiga sügavaid löikeid.

Löikeketta ülekoormamine suurendab selle koormust ja kalduvust kinnikiildumisele ning sellega tagasilöögi või lihvketta purunemise ohtu.

b) Vältige pöörleva löikeketta ette ja taha jäävat piirkonda. Kui juhite löikeketast toorikus endast eemale, võib seade tagasilöögi korral koos pöörleva kettaga otse Teie suunas paiskuda.

c) Kui löikeketas kinni kiildub või kui Te töö katkestate, lülitage seade välja ja hoidke seda paigal, kuni ketas on täielikult seiskunud. Ärge kunagi püüdke veel pöörlevat löikeketast löikejoonest välja tõmmata, vastasel korral võib tekkida tagasilöök. Tehke kindlaks kinnikiildumise põhjus ja kõrvaldage see.

d) Ärge lülitage seadet sisse seni, kuni see on veel toorikus. Laske löikekettal kõigepealt saavutada maksimaalpäörded, enne kui loigete ettevaatlikult jätkate. Vastasel korral võib ketas kinni kiilduda, toorikust välja hüppata või tagasilöögi põhjustada.

e) Toestage plaadid või suured toorikud, et vähendada kinnikiildunud löikekettast tingitud tagasilöögi ohtu. Suured toorikud võivad omaenda kaalu tõttu läbi painduda. Toorik peab olema toetatud mõlemalt poolt, nii löikejoone lähedalt kui ka servast.

f) Olge eriti ettevaatlikult uputuslüügete tegemisel seintesse või teistesse varjatud objektidesse. Uputatav löikeketas võib gaasi- või veetorude, elektrijuhtmete või teiste objektide tabamisel põhjustada tagasilöögi.

Spetsiifilised ohutusnõuded liivapaberiga lihvimisel

a) Ärge kasutage liiga suurte mõõtmetega liivapabereid, juhenduge tootja andmetest liivapaberi suuruse kohta. Üle lihttalla ulatuvad liivapaberid võivad põhjustada vigastusi, samuti liivapaberi kinnijäämist, rebenemist või tagasilööki.

Spetsiifilised ohutusjuhised traatharjade kasutamisel

a) Teadke, et harjast võib eemaldada traatharjaseid isegi tavaliste tööde käigus. Ärge koormake harjaseid üle, rakendades harjale liigset survet. Traatharjased tungivad kergesti läbi õhukete riiete ja/või naha.

b) Kettakaitses kasutamisel vältige kettakaitses ja traatharja kokkupuute võimalust. Taldrik- ja kaussharjade läbimoot või rakendatava surve ja tsentrifugaaljõudude toimel suurened.

Välitingimustes asuvad pistikupesad peavad olema varustatud rikkevoolukaitseliülitiga (FI, RCD, PRCD). Seda nõutakse Teie elektriseadme installeerimiseskirjas. Palun pidage sellest meie seadme kasutamisel kinni.

Puru ega pilpaid ei tohi eemaldada masina töötamise ajal.

Masin peab pistikupesasse ühendamisega olema alati väljalülitatud seisundis.

Ärge pange kätt töötava masina ohupiirkonda.

Kasutage alati lisakäpeid.

Jämetöölusel ja löikamisel töötage alati kaitsekattega.

Lülitage seade välja kohe, kui tekib märgatav vibratsioon või märkate muid puudusi. Kontrollige masin üle, et põhjus kindlaks teha.

Kasutage ja säilitage lihvkettaid alati vastavalt valmistaja juhistele.

Metallide lihvimisel tekib sädemed. Veenduge selles, et inimesed poleks ohustatud. Tuleohtu tõttu ei tohi lähedal (sädemete piirkonnas) olla tuleohtlikke materjale. Ärge kasutage tolmu ärarimemist.

Hoidke seadet alati nii, et sädemed või lihvimistolm lendaksid kehast eemale.

Kivi löikamisel on kohustuslik kasutada juhtriööbast.

Ääriku mutter peab enne masina käikulaskmist olema pingutatud.

Töödel dav toorik tuleb kinnitada, kui ta ei seisa oma kaaluga. Ärge kunagi juhtige toorikut ketta vastu käega.

Ekstreemsetes tingimustes (nt tugiketta ja vulkaanfiber-lihvkettaga metallide siledaks lihvimintöötamisel võib nurklühvasse koguneda rohkesti puru ja prahti. Ohutuse tagamiseks tuleb niisugustes tingimustes töötamise metallpindu seest korralikult puhastada, tingimata tuleb paigaldada rikkevoolukaitseliüli. Kui rikkevoolukaitseliüli reageerib, tuleb masin saata ülekontrollimisele.

Keermestatud kettaga varustada tulevate lihvimisvahendite puhul tagage kettas oleva keerme piisav pikkus spindli jaoks.


Löiketööl kasutada kinnist kaitsekate lisatarvikute programmist.

KASUTAMINE VASTAVALT OTSTARBELE

Nurklühvija sobib erinevate materjalide (nt metall, kivi) löikamiseks ja jämelihvimiseks, kunstmaterjalist kettagalihvimiseks ja terastraadist harjaga töötamiseks. Kahtlusekorral järgida tarvikute tootja õpetusi.

Antud seadet tohib kasutada ainult vastavalt äranäidatud otstarbele.

VÖRKU ÜHENDAMINE

 Ühendage ainult ühefaasilise vahelduvvooluga ning ainult andmesilidil toodud võrgupingega. Ühendada on võimalik ka kaitsekontaktita pistikupesadesse, kuna nende konstruktsioon vastab kaitseklassile II.

EÜ VASTAVUSAVALDUS

Me deklareerime ainuisikuliselt vastutades, et lõigus „Tehnilised andmed“ kirjeldatud toode vastab direktiivide 2011/65/EU (RoHS), 2004/108/EÜ, 2006/42/EÜ kõigile olulisele tähtsusega eeskirjadele ning järgmistele harmoniseeritud normatiivsetele Dokumentidele:

EN 60745-1:2009

EN 60745-2-3:2011

EN 55014-1:2006 + A1:2009 + A2:2011

EN 55014-2:1997 + A1:2001 + A2:2008

EN 61000-3-2:2006 + A1:2009 + A2:2009

EN 61000-3-3:2008



Winnenden, 2013-05-07

Alexander Krug / Managing Director
On volitatud koostama tehnilist dokumentatsiooni.

Techtronic Industries GmbH
Max-Eyth-Straße 10, 71364 Winnenden, Germany

HOOLDUS

Hoidke masina õhutuspilud alati puhtad.

Lühiseohu tõttu ei tohi õhutuspiludesse sattuda metalloosi.

Kasutage ainult Milwaukee tarvikuid ja Milwaukee tagavaraosi. Detailid, mille väljavahetamist pole kirjeldatud, laske välja vahetada Milwaukee klienditeeninduspunktis (vaadake brošüüri garantii / klienditeeninduste aadressid).

Vajadusel saab nõuda seadme plahvatusjoonise võimsussildil oleva masinatüübi ja kuuekohalise numbri alusel klienditeeninduspunkti või vahetult firmalt Techtronic Industries GmbH, Max-Eyth-Straße 10, 71364 Winnenden, Germany.

ELEKTROONIKA

AGV 12-125 X, AGV 12-125 XPD

Turvaliseks käsitsemiseks mõeldud elektrooniline sujuvkäivitus takistab masina järsku käivitumist sisselülitamisel.

Nullpingelüliti takistab masina taaskäivitumist pärast voolukatkestust. Töö taasalustamisel lülitage masin välja ja uuesti sisse.

Seade on varustatud "Overload" ja "Anti Kickback" katsefunktsiooniga ning seiskub vastava ülekoormuse korral. Palun pidage silmas, et masin taastab koormuse kadumisel iseseisvalt esialgsed tööpöörded. Pärast tööpöörete saavutamist on seade taas kasutusvalmis.

SÜMBOLID



Palun lugege enne käikulaskmist kasutusjuhend hoolikalt läbi.



ETTEVAATUST! TÄHELEPANU! OHUD!



Masinaga töötades kandke alati kaitseprille.



Enne kõiki töid masina kallal tõmmake pistik pistikupesast välja.



Tarvikud - ei kuulu tarne komplekti, soovitatav täiendus on saadaval tarvikute programmis.



Ärge käidelge kasutuskoõlbmatuks muutunud elektrilisi tööriistu koos olmejäätmetega! Vastavalt Euroopa Parlamendi ja nõukogu direktiivile 2002/96/EÜ elektri- ja elektroonikaseadmete jäätmete kohta ning direktiivi nõuete kohaldamisele liikmesriikides tuleb asutuskoõlbmatuks muutunud elektrilised tööriistad koguda eraldija keskkonnasäästlikult korduskasutada või ringlusse võtta.



Kaitseklass II, elektritööriist, mille puhul ei sõltu kaitse mitte üksnes baasisolatsiooni, vaid täiendatavate kaitsemeetmete nagu topeltisolatsiooni või tugevdatud isolatsiooni kohaldamisest.



ТЕХНИЧЕСКИЕ ДАННЫЕ Угловая шлифмашина	AG 12-115 X (220-240 V)	AG 12-115 X (110-120 V)	AG 12-125 X (220-240 V)
Серийный номер изделия	4281 36 01... 4280 51 01... 4280 61 01... ... 000001-999999	4281 41 01... 4280 66 01... ... 000001-999999	4280 78 01... ... 000001-999999
Номинальная выходная мощность	1200 W	1200 W	1200 W
Номинальное число оборотов	11000 min ⁻¹	11000 min ⁻¹	11000 min ⁻¹
Диаметр шлифовального диска	115 mm	115 mm	125 mm
Толщина шлифовального диска	6 mm (1/4")	6 mm (1/4")	6 mm (1/4")
Резьба шпинделя	M 14	M 14	M 14
Вес согласно процедуре EPTA 01/2003	2,3 kg	2,3 kg	2,3 kg
Информация по шумам/вибрации Значения замерялись в соответствии со стандартом EN 60 745. Уровень шума прибора, определенный по показателю A, обычно составляет: Уровень звукового давления (K=3dB(A)) Уровень звуковой мощности (K=3dB(A)) Пользуйтесь приспособлениями для защиты слуха.	89,0 dB(A) 100,0 dB(A)	89,5 dB(A) 100,5 dB(A)	89,0 dB(A) 100,0 dB(A)
Общие значения вибрации (векторная сумма трех направлений) определены в соответствии с EN 60745. Шлифовка поверхности: Значение вибрационной эмиссии a _h Небезопасность K= Шлифовка с помощью шлифовального полотна: Значение вибрационной эмиссии a _h Небезопасность K=	7,8 m/s ² 1,5 m/s ² 3,6 m/s ² 1,5 m/s ²	6,8 m/s ² 1,5 m/s ² 4,5 m/s ² 1,5 m/s ²	7,8 m/s ² 1,5 m/s ² 3,6 m/s ² 1,5 m/s ²



ТЕХНИЧЕСКИЕ ДАННЫЕ Угловая шлифмашина	AGV 12-125 X (220-240 V)	AGV 12-125 X PD (220-240 V)
Серийный номер изделия	4280 86 01... ... 000001-999999	4332 41 01... ... 000001-999999
Номинальная выходная мощность	1200 W	1200 W
Номинальное число оборотов	11000 min ⁻¹	11000 min ⁻¹
Диаметр шлифовального диска	125 mm	125 mm
Толщина шлифовального диска	6 mm (1/4")	6 mm (1/4")
Резьба шпинделя	M 14	M 14
Вес согласно процедуре EPTA 01/2003	2,4 kg	2,4 kg
Информация по шумам/вибрации Значения замерялись в соответствии со стандартом EN 60 745. Уровень шума прибора, определенный по показателю A, обычно составляет: Уровень звукового давления (K=3dB(A)) Уровень звуковой мощности (K=3dB(A)) Пользуйтесь приспособлениями для защиты слуха.	89,0 dB(A) 100,0 dB(A)	89,0 dB(A) 100,0 dB(A)
Общие значения вибрации (векторная сумма трех направлений) определены в соответствии с EN 60745. Шлифовка поверхности: Значение вибрационной эмиссии a _h Небезопасность K= Шлифовка с помощью шлифовального полотна: Значение вибрационной эмиссии a _h Небезопасность K=	7,8 m/s ² 1,5 m/s ² 3,6 m/s ² 1,5 m/s ²	7,8 m/s ² 1,5 m/s ² 3,6 m/s ² 1,5 m/s ²

ВНИМАНИЕ

Указанный в настоящем руководстве уровень вибрации измерен в соответствии с технологией измерения, установленной стандартом EN 60745 и может использоваться для сравнения электроинструментов друг с другом. Он также подходит для предварительной оценки вибрационной нагрузки.

Указанный уровень вибрации представляет основные виды использования электроинструмента. Но если электроинструмент используется для других целей, используемый инструмент отклоняется от указанного или техническое обслуживание было недостаточным, то уровень вибрации может отклоняться от указанного. В этом случае вибрационная нагрузка в течение всего периода работы значительно увеличивается.

Для точной оценки вибрационной нагрузки необходимо также учитывать время, в течение которого прибор отключен или включен, но фактически не используется. В этом случае вибрационная нагрузка в течение всего периода работы может существенно уменьшиться.

Установите дополнительные меры безопасности для защиты пользователя от воздействия вибрации, например: техническое обслуживание электроинструмента и используемого инструмента, поддержание рук в теплом состоянии, организация рабочих процессов.

Русский

⚠ ВНИМАНИЕ! Ознакомьтесь со всеми указаниями по безопасности и инструкциями, в том числе с инструкциями, содержащимися в прилагающейся брошюре. Улучшения, допущенные при соблюдении указанных и инструкций по технике безопасности, могут стать причиной электрического поражения, пожара и тяжелых травм. Сохраняйте эти инструкции и указания для будущего использования.

РЕКОМЕНДАЦИИ ПО ТЕХНИКЕ БЕЗОПАСНОСТИ

Общие предупреждающие указания по шлифованию, шлифованию наждачной бумагой, для работ с проволочными щетками, для полирования и отрезных работ:

- а) Настоящий электроинструмент предназначен для применения в качестве шлифовальной машины, шлифовальной машины с наждачной бумагой, проволочной щетки и отрезной машины. Учитывайте все предупреждающие указания, инструкции, иллюстрации и данные, которые Вы получите с электроинструментом.** При несоблюдении нижеприведенных указаний возможно поражение электротоком, возникновение пожара и/или получение серьезных травм.
- б) Настоящий электроинструмент не пригоден для полирования.** Выполнение работ, для которых настоящий электроинструмент не предусмотрен, может стать причиной опасностей и травм.
- в) Не применяйте принадлежности, которые не предусмотрены изготовителем специально для настоящего электроинструмента и не рекомендуются им.** Только возможность крепления принадлежностей в Вашем электроинструменте не гарантирует еще его надежного применения.
- г) Допустимое число оборотов используемого инструмента должно быть как минимум таким же, как и максимальное число оборотов, указанное на электроинструменте.** Комплекующие, которые вращаются быстрее допустимой скорости, могут сломаться и отлететь.
- е) Наружный диаметр и толщина рабочего инструмента должны соответствовать размерам Вашего электроинструмента.** Неправильно соразмеренные рабочие инструменты не могут быть в достаточной степени защищены или контролироваться.
- ф) Шлифовальные круги, фланцы, шлифовальные тарелки или другие принадлежности должны точно сидеть на шпинделе Вашего электроинструмента.** Рабочие инструменты, неточно сидящие на шпинделе электроинструмента, вращаясь с биением, сильно вибрируют и могут привести к потере контроля.
- г) Не применяйте поврежденные рабочие инструменты.** Проверяйте каждый раз перед использованием рабочие инструменты, как то, шлифовальные круги на сколы и трещины, шлифовальные тарелки на трещины, риски или сильный износ, проволочные щетки на незакрепленные или поломанные проволочки. После падения электроинструмента или рабочего инструмента проверяйте последний на повреждения и при надобности установите неповрежденный рабочей инструмент. После закрепления рабочего инструмента займите сами и все находящиеся вблизи лица положение за пределами плоскости вращения рабочего инструмента и включите

электроинструмент на одну минуту на максимальное число оборотов. Поврежденные рабочие инструменты разрываются, в большинстве случаев, за это время контроля.

h) Применяйте средства индивидуальной защиты. В зависимости от выполняемой работы применяйте защитный щиток для лица, защитное средство для глаз или защитные очки. Насколько уместно, применяйте противопылевой респиратор, средства защиты органов слуха, защитные перчатки или специальный фартук, которые защищают Вас от абразивных частиц и частиц материала. Глаза должны быть защищены от летающих в воздухе посторонних тел, которые возникают при выполнении различных работ. Противопылевой респиратор или защитная маска органов дыхания должны задерживать возникающую при работе пыль. Продолжительное воздействие сильного шума может привести к потере слуха.

- и) Следите за тем, чтобы все лица находились на безопасном расстоянии к Вашему рабочему участку. Каждое лицо в пределах рабочего участка должно иметь средства индивидуальной защиты.** Осколки детали или разорванных рабочих инструментов могут отлететь в сторону и стать причиной травм также и за пределами непосредственного рабочего участка.
 - j) Держите электроинструмент только за изолированные поверхности рукояток, если Вы выполняете работы, при которых рабочий инструмент может попасть на скрытую электропроводку или на собственный шнур подключения питания.** Контакт режущего инструмента с токоведущим проводом может ставить под напряжение металлические части прибора, а также приводить к удару электрическим током.
 - к) Держите шнур подключения питания в стороне от вращающегося рабочего инструмента.** Если Вы потеряете контроль над инструментом, то шнур подключения питания может быть перерезан или захвачен вращающейся частью и Ваша кисть или рука может попасть под вращающийся рабочий инструмент.
 - l) Никогда не выпускайте электроинструмент из рук, пока рабочий инструмент полностью не остановится.** Вращающийся рабочий инструмент может зацепиться за опорную поверхность и в результате Вы можете потерять контроль над электроинструментом.
 - m) Выключайте электроинструмент при транспортировании.** Ваша одежда может быть случайно захвачена вращающимся рабочим инструментом и последний может нанести Вам травму.
 - n) Регулярно очищайте вентиляционные прорези Вашего электроинструмента.** Вентилятор двигателя затягивает пыль в корпус и большое скопление металлической пыли может привести к электрической опасности.
 - o) Не используйте электроинструментом вблизи горючих материалов.** Искры могут воспламенить эти материалы.
 - р) Не применяйте рабочие инструменты, требующие применение охлаждающих жидкостей.** Применение воды или других охлаждающих жидкостей может привести к поражению электротоком.
- Обратный удар и соответствующие предупреждающие указания**
- Обратный удар это внезапная реакция в результате заедания или блокирования вращающегося рабочего инструмента, как то, шлифовального круга, шлифовальной тарелки, проволочной щетки и т.д., ведущая к резкому останову вращающегося рабочего инструмента. При этом неконтролируемый электроинструмент



ускоряется на месте блокировки против направления вращения рабочего инструмента.

Если шлифовальный круг заедает или блокирует в заготовке, то погруженная в заготовку кромка шлифовального круга может быть захвата и в результате привести к выскакиванию круга из заготовки или к обратному удару. При этом шлифовальный круг движется на оператора или от него, в зависимости от направления вращения круга на месте блокирования. При этом шлифовальный круг может поломаться.

Обратный удар является следствием неправильного использования электроинструмента или ошибки оператора. Он может быть предотвращен описанными ниже мерами предосторожности.

а) Крепко держите электроинструмент и займите Вашим телом и руками положение, в котором Вы можете противодействовать обратным силам. При наличии, всегда применяйте дополнительную рукоятку, чтобы как можно лучше противодействовать обратным силам или реакционным моментам при наборе оборотов. Оператор может подходящими мерами предосторожности противодействовать силам обратного удара и реакционным силам.

б) Ваша рука никогда не должна быть вблизи вращающегося рабочего инструмента. При обратном ударе рабочий инструмент может пойти по Вашей руке.

с) Держитесь в стороне от участка, в котором при обратном ударе будет двигаться электроинструмент. Обратный удар ведет электроинструмент в противоположном направлении к движению шлифовального круга в месте блокирования.

д) Особенно осторожно работайте на углах, острых кромках и т.д. Предотвращайте отскок рабочего инструмента от заготовки и его заклинивание. Вращающийся рабочий инструмент склонен на углах, острых кромках и при отскоке к заклиниванию. Это вызывает потерю контроля или обратный удар.

е) Не пользуйтесь цепными или зубчатыми пилами. Такие инструментальные насадки часто приводят к отдаче или потере контроля над электрическим инструментом.

Специальные предупреждающие указания по шлифованию и отрезанию

а) Применяйте допущенные исключительно для Вашего электроинструмента абразивные инструменты и предусмотренные для них защитные кожухи. Абразивные инструменты, не предусмотренные для этого электроинструмента, не могут быть достаточно экранированы и не безопасны.

б) Изогнутые шлифовальные диски необходимо устанавливать таким образом, чтобы их шлифовальная поверхность не выходила за пределы края защитного кожуха. Установленный ненадлежащим образом шлифовальный диск, выходящий за пределы края защитного кожуха, невозможно экранировать достаточным образом.

с) Всегда применяйте защитный кожух, предусмотренный для применяемого вида абразивного инструмента. Защитный кожух должен быть надежно закреплен на электроинструменте и настроен так, чтобы достигалась наибольшая степень безопасности, т.е. в сторону оператора должна быть открыта как можно меньшая часть абразивного инструмента. Защитный кожух должен защищать оператора от осколков и случайного контакта с абразивным инструментом.

д) Абразивные инструменты требуются применять только для рекомендуемых работ. Например: никогда не шлифуйте боковой поверхностью отрезного круга. Отрезные круги предназначены для съема материала кромкой. Боковые силы на этот абразивный инструмент могут сломать его.

е) Всегда применяйте неповрежденные фланцевые гайки с правильными размерами и формой для выбранного Вами шлифовального круга. Правильные фланцы являются опорой для шлифовального круга и уменьшают опасность его поломки. Фланцы для отрезных кругов могут отличаться от фланцев для шлифовальных кругов.

ф) Не применяйте изношенные шлифовальные круги больших электроинструментов. Шлифовальные круги для больших электроинструментов изготовлены не для высоких скоростей вращения маленьких электроинструментов и их может разорвать.

Дополнительные специальные предупреждающие указания отрезания шлифованием

а) Предотвращайте блокирование отрезного круга и завышенное усилие притяжия. Не выполняйте слишком глубоких резов. Перегрузка отрезного круга повышает его нагрузку и склонность к перекашиванию или блокированию и этим возможность обратного удара или поломки абразивного инструмента.

б) Будьте осторожны перед и за вращающимся отрезным кругом. Если Вы ведете отрезной круг в заготовке от себя, то в случае обратного удара электроинструмент может с вращающимся кругом отскочить прямо на Вас.

с) При заклинивании отрезного круга и при перерыве в работе выключайте электроинструмент и держите его спокойно, неподвижно до останова круга. Никогда не пытайтесь вынуть еще вращающийся отрезной круг из реза, так как это может привести к обратному удару. Установите и уберите причину заклинивания.

д) Не включайте повторно электроинструмент пока абразивный инструмент находится в заготовке. Дайте отрезному кругу развить полное число оборотов, перед тем как Вы осторожно продолжите резание. В противном случае круг может заесть, он может выскочить из детали и привести к обратному удару.

е) Плиты или большие заготовки должны надежно лежать на опоре, чтобы снизить опасность обратного удара при заклинивания отрезного круга. Большие заготовки могут прогибаться под собственным весом. Заготовка должна лежать на опорах с обеих сторон, как вблизи реза, так и по краям.

ф) Будьте особенно осторожны при выполнении резов с «погружением» в стены или на других не просматриваемых участках. Погружающийся отрезной круг может при резании газопровода или водопровода, электрических проводов или других объектов привести к обратному удару.

Специальные предупреждающие указания для шлифования наждачной бумагой

а) Не применяйте шлифовальные листы с завышенными размерами, а следуйте данным изготовителя по размерам шлифовальных листов. Шлифовальные листы, выступающие за край шлифовальной тарелки, могут стать причиной травм и блокирования, рваться или привести к обратному удару.



Особые предупреждающие указания для работ с проволочными щетками

а) Учитывайте, что металлическая щетина может отлетать даже во время обычной работы. Не перегружайте проволоку, подвергая щетку чрезмерной нагрузке. Металлическая щетина может легко проникнуть сквозь одежду и/или кожу.

б) Если для работы рекомендуется использовать защитный кожух, то исключайте соприкосновение проволочной щетки с кожей. Тарельчатые и чашечные щетки могут увеличивать свой диаметр под действием усилия прижатия и центрифугальных сил.

Электроприборы, используемые во многих различных местах, в том числе на открытом воздухе, должны подключаться через устройство, предотвращающее резкое повышение напряжения (FI, RCD, PRCD).

Не убирайте опилки и обломки при включенном инструменте.

Вставляйте вилку в розетку только при выключенном инструменте.

Никогда не касайтесь опасной режущей зоны в момент работы.

Всегда пользуйтесь дополнительной рукояткой.

При шлифовании или отрезании всегда пользуйтесь защитным ограждением.

Немедленно выключайте машину если почувствовали ощутимую вибрацию или при других неисправностях. Проверьте инструмент чтобы обнаружить причину неисправности.

Всегда используйте и храните шлифовальные диски в соответствии с инструкциями производителя.

Необходимо следить за тем, чтобы искры, вылетающие с обрабатываемой поверхности, не попадали на воспламеняющиеся материалы.

Следите чтобы искры или образующаяся при работе пыль не попадали на Вас.

При резке камня всегда пользуйтесь направляющей опорой!

Перед включением инструмента затяните гайку с фланцем.

Если изделие не достаточно тяжелое и неустойчивое, то его необходимо закрепить. Никогда не подносите изделие к шлифовальному диску, держа его в руках.

При предельных условиях эксплуатации (напр., при гладкой шлифовке металлов с опорным диском и шлифовальным кругом из вулканизированной фибры) может образоваться сильное загрязнение во внутренней части угловой шлифовальной машинки.

При таких условиях эксплуатации из соображений безопасности необходима основательная очистка внутренней части от отложенного металла и принудительное предварительное включение защитного выключателя тока утечки (FI). После срабатывания защитного выключателя FI следует отправить машинку в ремонт.

Предназначается для инструментов, которые могут использоваться с кругами, оснащенными резьбовым отверстием, причем длина резьбы должна соответствовать длине шпинделя.

Для работ по разделению использовать закрытый защитный кожух из программы принадлежностей.

ИСПОЛЬЗОВАНИЕ

Угловая шлифовальная машина используется для разделения ичёрнового шлифовании многих материалов, как например, металлами камня, а также для шлифования с помощью пластмассового тарельчатого шлифовального круга и для работы со стальной проволочной щеткой. В случае сомнения соблюдайте указания производителя принадлежностей.

Не пользуйтесь данным инструментом способом, отличным от указанного для нормального применения.

ПОДКЛЮЧЕНИЕ К ЭЛЕКТРОСЕТИ

Подсоединять только к однофазной сети переменного тока с напряжением, соответствующему указанному на инструменте. Электроинструмент имеет второй класс защиты, что позволяет подключать его к розеткам электропитания без заземляющего вывода.

ДЕКЛАРАЦИЯ О СООТВЕТВИИ СТАНДАРТАМ ЕС

Мы заявляем под собственную ответственность, что изделие, описанное в разделе «Технические характеристики», соответствует всем важным предписаниям Директивы 2011/65/EU (Директива об ограничении применения опасных веществ в электрических и электронных приборах), 2004/108/EC, 2006/42/EC и приведенным далее гармонизированным нормативным документам:

EN 60745-1:2009
EN 60745-2-3:2011
EN 55014-1:2006 + A1:2009 + A2:2011
EN 55014-2:1997 + A1:2001 + A2:2008
EN 61000-3-2:2006 + A1:2009 + A2:2009
EN 61000-3-3:2008



Winnenden, 2013-05-07

Alexander Krug / Managing Director
Уполномочен на составление технической документации.

Techtronic Industries GmbH
Max-Eyth-Straße 10, 71364 Winnenden, Germany

ОБСЛУЖИВАНИЕ

Всегда держите охлаждающие отверстия чистыми.

Не приближайте металлические предметы к вентиляционным отверстиям из-за опасности короткого замыкания!

Пользуйтесь аксессуарами и запасными частями Milwaukee. В случае возникновения необходимости в замене, которая не была описана, обращайтесь в один из сервисных центров по обслуживанию электроинструментов Milwaukee (см. список сервисных организаций).

При необходимости, у сервисной службы или непосредственно у фирмы Techtronic Industries GmbH, Max-Eyth-Straße 10, 71364, Винненден, Германия, можно запросить сборочный чертеж устройства, сообщив его тип и шестизначный номер, указанный на фирменной табличке.



РУС

AGV 12-125 X, AGV 12-125 XPD

Плавный старт для безопасной работы предотвращает резкое включение инструмента.

Нулевой выключатель препятствует повторному пуску машины после перерыва в электроснабжении. При новом вводе в действие машину выключите и снова включите.

Пожалуйста, учитывайте, что при исчезновении нагрузки машина снова самостоятельно запускается с изначальной рабочей скоростью вращения. Пожалуйста, учитывайте, что при исчезновении нагрузки машина снова самостоятельно запускается с изначальной рабочей скоростью вращения. При достижении рабочей скорости вращения прибор можно снова эксплуатировать.

СИМВОЛЫ



Пожалуйста, внимательно прочтите инструкцию по использованию перед началом любых операций с инструментом.



ВНИМАНИЕ! ПРЕДУПРЕЖДЕНИЕ! ОПАСНОСТЬ!



При работе с инструментом всегда надевайте защитные очки.



Перед выполнением каких-либо работ по обслуживанию инструмента всегда вынимайте вилку из розетки.



Принадлежности - В стандартную комплектацию не входит, поставляется в качестве дополнительной принадлежности.



Не выбрасывайте электроинструмент с бытовыми отходами! Согласно Европейской директиве 2002/96/ЕС по отходам от электрического и электронного оборудования и соответствующим нормам национального права вышедшие из употребления электроинструменты подлежат сбору отдельно для экологически безопасной утилизации.



Класс защиты II, электроинструмент, в котором защита от поражения электрическим током зависит не только от базовой изоляции, но и от дополнительных защитных мер, таких как двойная изоляция или усиленная изоляция.



Соответствие техническому регламенту



Национальный знак відповідності України

ТЕХНИЧЕСКИ ДАННИ Ъглошлайф	AG 12-115 X (220-240 V)	AG 12-115 X (110-120 V)	AG 12-125 X (220-240 V)
Производствен номер	4281 36 01... 4280 51 01... 4280 61 01... ... 000001-999999	4281 41 01... 4280 66 01... ... 000001-999999	4280 78 01... ... 000001-999999
Номинална консумирана мощност	1200 W	1200 W	1200 W
Номинална скорост на въртене	11000 min ⁻¹	11000 min ⁻¹	11000 min ⁻¹
Ø на абразивните дискове	115 mm	115 mm	125 mm
Дебелина на диска за шлайфане	6 mm (1/4")	6 mm (1/4")	6 mm (1/4")
Резба на шпиндела	M 14	M 14	M 14
Тегло съгласно процедурата EPTA 01/2003	2,3 kg	2,3 kg	2,3 kg
Информация за шума/вибрациите Измерените стойности са получени съобразно EN 60 745. Оцененото с А ниво на шума на уреда е съответно: Ниво на звукова мощност (K=3dB(A)) Ниво на звукова мощност (K=3dB(A))	89,0 dB(A) 100,0 dB(A)	89,5 dB(A) 100,5 dB(A)	89,0 dB(A) 100,0 dB(A)
Да се носи предпазно средство за слуха! Общите стойности на вибрациите (векторна сума на три посоки) са определени в съответствие с EN 60745.			
Шлайфане на повърхности: Стойност на емисии на вибрациите a _h Несигурност K=	7,8 m/s ² 1,5 m/s ²	6,8 m/s ² 1,5 m/s ²	7,8 m/s ² 1,5 m/s ²
Шлайфане с лента за шлайфане: Стойност на емисии на вибрациите a _h Несигурност K=	3,6 m/s ² 1,5 m/s ²	4,5 m/s ² 1,5 m/s ²	3,6 m/s ² 1,5 m/s ²



БЪЛ

ТЕХНИЧЕСКИ ДАННИ Ъглошлайф	AGV 12-125 X (220-240 V)	AGV 12-125 X PD (220-240 V)
Производствен номер	4280 86 01... ... 000001-999999	4332 41 01... ... 000001-999999
Номинална консумирана мощност	1200 W	1200 W
Номинална скорост на въртене	11000 min ⁻¹	11000 min ⁻¹
Ø на абразивните дискове	125 mm	125 mm
Дебелина на диска за шлайфане	6 mm (1/4")	6 mm (1/4")
Резба на шпиндела	M 14	M 14
Тегло съгласно процедурата EPTA 01/2003	2,4 kg	2,4 kg
Информация за шума/вибрациите Измерените стойности са получени съобразно EN 60 745. Оцененото с А ниво на шума на уреда е съответно: Ниво на звукова мощност (K=3dB(A)) Ниво на звукова мощност (K=3dB(A))	89,0 dB(A) 100,0 dB(A)	89,0 dB(A) 100,0 dB(A)
Да се носи предпазно средство за слуха! Общите стойности на вибрациите (векторна сума на три посоки) са определени в съответствие с EN 60745.		
Шлайфане на повърхности: Стойност на емисии на вибрациите a _h Несигурност K=	7,8 m/s ² 1,5 m/s ²	7,8 m/s ² 1,5 m/s ²
Шлайфане с лента за шлайфане: Стойност на емисии на вибрациите a _h Несигурност K=	3,6 m/s ² 1,5 m/s ²	3,6 m/s ² 1,5 m/s ²

ВНИМАНИЕ

Посоченото в тези инструкции ниво на вибрациите е измерено в съответствие със стандартизиран в EN 60745 измервателен метод и може да се използва за сравнение на електрически инструменти помежду им. Подходящ е и за временна оценка на вибрационното натоварване.

Посоченото ниво на вибрациите представя основните приложения на електрическия инструмент. Ако обаче електрическият инструмент се използва с друго предназначение, с различни сменяеми инструменти или при недостатъчна техническа поддръжка, нивото на вибрациите може да е различно. Това чувствително може да увеличи вибрационното натоварване по време на целия работен цикъл.

За точната оценка на вибрационното натоварване трябва да се вземат предвид и периодите от време, в които уредът е изключен или работи, но в действителност не се използва. Това чувствително може да намали вибрационното натоварване по време на целия работен цикъл.

Определете допълнителни мерки по техника на безопасност в защита на обслужващия работник от въздействието на вибрациите като например: техническа поддръжка на електрическия инструмент и сменяемите инструменти, поддържане на ръцете топли, организация на работния цикъл.

⚠ ВНИМАНИЕ! Прочетете указанията за безопасност и съветите в приложената брошура. Неспазването на приведените по-долу указания може да доведе до токов удар, пожар и/или тежки травми.

Съхранявайте тези указания на сигурно място.

СПЕЦИАЛНИ УКАЗАНИЯ ЗА БЕЗОПАСНОСТ

Общи указания за безопасна работа при шлифване с диск и с шкурка, почистване с телена четка, полиране и рязане с абразивен диск:

а) Този електроинструмент може да се използва за шлифване с абразивен диск и с шкурка, почистване с телена четка, полиране и рязане с абразивен диск. Спазвайте всички указания и предупреждения, съобразявайте се с приведените технически параметри и изображения. Ако не спазвате посочените по-долу указания, последствията могат да бъдат токов удар, пожар и/или тежки травми.

б) Този електроинструмент не е подходящ за полиране.

Извършването на дейности, за които електроинструментът не е предназначен, може да бъде опасно и да доведе до травми.

в) Не използвайте допълнителни приспособления, които не се препоръчват от производителя специално за този електроинструмент. Фактът, че можете да закрепите към машината определено приспособление или работен инструмент, не гарантира безопасна работа с него.

д) Допустимата честота на въртене на използвания се инструмент трябва да бъде поне толкова висока, колкото и посочената на уреда честота на въртене. Аксесоарите, които се въртят по-бързо от допустимото, могат да се счупят и да се разхвърчат.

е) Външният диаметър и дебелината на работния инструмент трябва да съответстват на данните, посочени в техническите характеристики на Вашия електроинструмент. Работни инструменти с неподходящи размери не могат да бъдат екранирани по необходимия начин или да бъдат контролирани достатъчно добре.

ф) Шлифовачните дискове, фланци, подложните дискове или другите приложни инструменти трябва да пасват точно на вала на Вашия електроинструмент. Работни инструменти, които не пасват точно на вала на електроинструмента, се въртят неравномерно, вибрират силно и могат да доведат до загуба на контрол над машината.

г) Не използвайте повредени работни инструменти. Преди всяка употреба проверявайте работните инструменти, напр. абразивни дискове за пукнатини или открити ръбчета, подложните дискове за пукнатини или силно износване, телените четки за недобре захванати или счупени телчета. Ако извървете електроинструмента или работния инструмент, ги проверявайте внимателно за уреждания или използвайте нови неповредени работни инструменти. След като сте проверили внимателно и сте монтирали работния инструмент, оставете електроинструмента да работи на максимални обороти в продължение на една минута; стойте и дръжте намиращи се наблизо лица встрани от равнината на въртене. Най-често повредени работни инструменти се счупят през този тестов период.

h) Работете с лични предпазни средства. В зависимост от приложението работете с цяла маска за лице, защита за очите или предпазни очила. Ако е необходимо, работете с дихателна маска, шумозаглушители (антифони), работни обувки или специализирана престилка, която Ви предпазва

от малки открити при работата частички. Очите Ви трябва да са защитени от летящите в зоната на работа частички. Противопраховата или дихателната маска филтрират възникващия при работа прах. Ако продължително време сте изложени на силен шум, това може да доведе до загуба на слух.

и) Внимавайте други лица да бъдат на безопасно разстояние от зоната на работа. Всеки, който се намира в зоната на работа, трябва да носи лични предпазни средства. Открити парченца от обработвания детайл или работния инструмент могат в резултат на силното ускорение да отлетят надалече и да предизвикат наранявания също и извън зоната на работа.

j) Ако изпълнявате дейности, при които съществува опасност работният инструмент да попадне на скрити проводници под напрежение или да засегне захранващия кабел, допирайте електроинструмента само до електроизолираните ръкохватки. Контактът на режещия инструмент с тоководещ проводник може да предаде напрежението върху метални части на уреда и да доведе до токов удар.

к) Дръжте захранващия кабел на безопасно разстояние от въртящите се работни инструменти. Ако изгубите контрол над електроинструмента, кабелът може да бъде прерязан или увлечен от работния инструмент и това да предизвика наранявания, напр. на ръката Ви.

l) Никого не оставяйте електроинструмента, преди работният инструмент да спре напълно въртенето си. Въртящият се инструмент може да допре до предмет, в резултат на което да загубите контрол над електроинструмента.

м) Докато пренасяте електроинструмента, не го оставяйте включен. При неволно допир дрехите или косите Ви могат да бъдат увлечени от работния инструмент, в резултат на което работният инструмент може да се вреже в тялото Ви.

п) Редовно почиствайте вентилационните отвори на Вашия електроинструмент. Турбината на електродвигателя засмуква прах в корпуса, а натрупването на метален прах увеличава опасността от токов удар.

о) Не използвайте електроинструмента в близост до леснозапалими материали. Летящи искри могат да предизвикат възпламеняването на такива материали.

р) Не използвайте работни инструменти, които изискват прилагането на охлаждащи течности. Използването на вода или други охлаждащи течности може да предизвика токов удар.

Откат и съвети за избягването му

Откат е внезапната реакция на машината вследствие на заклиняване или блокиране на въртящия се работен инструмент, напр. абразивен диск, гумен подложен диск, телена четка и др. п. Заклиняването или блокирането води до рязкото спиране на въртенето на работния инструмент. Вследствие на това електроинструментът получава силно ускорение в посока, обратна на посоката на движение на инструмента в момента на блокиране, и става неуправляем.

Ако напр. абразивен диск се заклини или блокира в обработваното изделие, ръбът на диска, който допира детайла, може да се огъне и в резултат дискът да се счупи или да възникне откат. В такъв случай дискът се ускорява към ратещия с машината или в обратна посока, в зависимост от посоката на въртене на диска и мястото на заклиняване. В такива случаи абразивните дискове могат и да се счупят.

Откат възниква в резултат на неправилно или погрешно използване на електроинструмента. Възникването му може да бъде предотвратено чрез спазването на подходящи предпазни мерки, както е описано по-долу.



БЪЛ

а) Дръжте електроинструмента здраво и дръжте ръцете и тялото си в такава позиция, че да противостоите на евентуално възникващ откат. Ако електроинструментът има спомогателна ръкохватка, винаги я използвайте, за да го контролирате по-добре при откат или при възникващите реакционни моменти по време на включване. Ако предварително вземете подходящи предпазни мерки, при възникване на откат или силни реакционни моменти можете да овладявате машината.

б) Никога не поставяйте ръцете си в близост до въртящи се работни инструменти. Ако възникне откат, инструментът може да нарани ръката Ви.

с) Избягвайте да заставате в зоната, в която би отскочил електроинструментът при възникване на откат. Откатът премества машината в посока, обратна на посоката на движение на работния инструмент в зоната на блокиране.

д) Работете особено предпазливо в зоните на ъгли, остри ръбове и др. п. Избягвайте отблъскването или заклиняването на работните инструменти в обработвания детайл. При обработване на ъгли или остри ръбове или при рязко отблъскване на въртящия се работен инструмент съществува повишена опасност от заклиняване. Това предизвиква загуба на контрол над машината или откат.

е) Не използвайте вериген или назъбен режещ диск. Такива инструменти често причиняват „ритане“ или загуба на контрол върху електрическата машина.

Специални указания за безопасна работа при шлифоване или рязане с абразивни дискове

а) Използвайте само предвидените за Вашия електроинструмент абразивни дискове и предназначения за използвания абразивен диск предпазен кожух. Абразивни дискове, които не са предназначени за електроинструмента, не могат да бъдат екранирани добре и не гарантират безопасна работа.

б) Извитите дискове за шлайфане трябва да бъдат монтирани така, че повърхността им за шлайфане да не излиза извън равнината на ръба на предпазния капак. Неправилно монтираният диск за шлайфане, който излиза извън равнината на ръба на предпазния капак, не може да бъде достатъчно добре екраниран.

с) Винаги използвайте предпазния кожух, който е подходящ за използвания вид абразивен диск. Предпазният кожух трябва да е захванат здраво към електроинструмента и да е разположен така, че да осигурява максимална безопасност, напр. абразивният диск не трябва да е насочен непокрыт от кожуха към работещия с машината. Кожухът трябва да предпазва работещия с машината от отхвърчащи откъртени парченца и от влизане в съприкосновение с въртящия се абразивен диск.

д) Допуска се използването на абразивни дискове само за целите, за които те са предвидени. Напр.: никога не шлифовайте със страничната повърхност на диск за рязане. Дисковете за рязане са предназначени за отнемане на материал с ръба си. Странично прилагане на сила може да ги счупи.

е) Винаги използвайте застопоряващи фланци, които са в безукорно състояние и съответстват по размери и форма на използвания абразивен диск. Използването на подходящ фланец предпазва диска и по този начин намалява опасността от счупването му. Застопоряващите фланци за режещи дискове могат да се различават от тези за дискове за шлифоване.

ф) Не използвайте износени абразивни дискове от по-големи електроинструменти. Дисковете за по-големи машини не са предназначени за въртене с високите

скорости, с които се въртят по-малките, и могат да се счупят.

Специални указания за безопасна работа с режещи дискове

а) Избягвайте блокиране на режещия диск или силното му притискане. Не изпълнявайте твърде дълбоки срезове. Претоварването на режещия диск увеличава опасността от заклиняването му или блокирането му, а с това и от възникването на откат или счупването му, докато се върти.

б) Избягвайте да заставате в зоната пред и зад въртящия се режещ диск. Когато режещият диск е в една равнина с тялото Ви, в случай на откат електроинструментът с въртящия се диск може да отскочи непосредствено към Вас и да Ви нарани.

с) Ако режещият диск се заклини или когато прекъсват работата, изключвайте електроинструмента и го оставете едва след окончателното спиране на въртенето на диска. Никога не опитвайте да извадите въртящия се диск от междината на рязане, в противен случай може да възникне откат. Определете и отстранете причината за заклиняването.

д) Не включвайте повторно електроинструмента, ако дискът се намира в разрязвания детайл. Преди внимателно да продължите рязането, изчакайте режещият диск да достигне пълната си скорост на въртене. В противен случай дискът може да се заклини, да отскочи от обработвания детайл или да предизвика откат.

е) Подпирайте плочи или големи разрязвани детайли по подходящ начин, за да ограничите риска от възникване на откат в резултат на заклинен режещ диск. По време на рязане големи детайли могат да се огънат под действие на силата на собственото си тегло. Детайлът трябва да е подпрян от двете страни, както в близост до линията на разрязване, така и в другия си край.

ф) Бъдете особено предпазливи при прорязване на канали в стени или други зони, които могат да крият изненади. Режещият диск може да предизвика откат на машината при допир до газо- или водопроводи, електропроводи или други обекти.

Специални указания за безопасна работа при шлифоване с шкурка

а) Не използвайте твърде големи листови шкурка, спазвайте указанията на производителя за размерите на шкурката. Листове шкурка, които се подават извън подложния диск, могат да предизвикат наранявания, както и да доведат до блокиране и разкъсване на шкурката или до възникване на откат.

Специални указания за безопасна работа при почистване с телени четки

а) Обърнете внимание на това, че и при обикновена употреба телената четка губи частици от телта. Е претоварвайте отделните части на телта например чрез прекалено голямо налягане на притискане. Изхвърчащите частици от телта могат много лесно да попаднат в кожата например през тънки дрехи.

б) Ако се препоръчва използването на предпазен кожух, предварително се уверявайте, че телената четка не допира до него. Дисковете и чашковидните телени четки могат да увеличат диаметъра си в резултат на силата на притискане и центробежните сили.

Контактите във външните участъци трябва да бъдат оборудвани със защитни прекъсвачи за утечен ток (FI, RCD, PRCD). Това изисква предписанието за инсталиране за електрическата инсталация. Моля спазвайте това при използване на Вашия уред.



БЪЛ

Стружки или отчупени парчета да не се отстраняват, докато машината работи.

Свързвайте машината към контакта само в изключено положение.

Не бъркайте в зоната на опасност на работещата машина.

Винаги да се използва допълнителната ръкохватка. Това важи също при машини с предпазен съединител, понеже той се задейства само при блокиране чрез импулс.

При грубо шлифоване и разделяне да се работи винаги с предпазител.

Веднага изключете машината, ако се появят значителни вибрации или бъдат установени други нередности. Проверете машината за да установите причината.

Абразивните дискове винаги да се използват и съхраняват съобразно данните на производителя.

При шлифоване на метали възниква искрене. Обърнете внимание да не бъдат застрашени хора. Поради опасност от пожар наблизо (в обсега на искрите) не бива да се намират горими материали. Да не се използва прахоулавяне.

Дръжте уреда винаги така, че искрите или образуващият се при шлифоването прах да отлитат настрани от тялото.

При рязане на камък задължително да се използва водещата шейна.

Преди пускане на машината фланцовата гайка трябва да бъде затегната.

Обработваният материал трябва да бъде затегнат здраво, ако не се държи от собственото си тегло. Никога не водете материала с ръка срещу диска.

При екстремални условия на експлоатация (напр. при гладко шлифоване на метали с опорния диск и вулканфибърните шлифовъчни дискове) може да се натрупа силно замърсяване във вътрешността на ъгловото шлифовъчно устройство. При такива експлоатационни условия от гледна точка на сигурност е необходимо основно почистване на вътрешността от метални отлагания и задължително предварително включване на защитен прекъсвач за утечен ток FI. След задействане на защитния FI-прекъсвач машината трябва да се изпрати за ремонт.

При абразивни материали, които трябва да бъдат снабдени с диск с резба, трябва да се гарантира, че резбата в диска е достатъчно дълга за шпиндела.

При рязане използвайте затворен защитен шлем от програмата с аксесоари.

ИЗПОЛЗВАНЕ ПО ПРЕДНАЗНАЧЕНИЕ

Ъглошлайфът се използва за рязане и грубо шлайфане на голямброй материали, като например метал или камък, както и зашлайфане с пластмасови шлифовъчни дискове и за работа стелена четка. В случай на съмнение обърнете внимание на указанията на производителя на аксесоари.

Този уред може да се използва по предназначение само както е посочено.

ЗАЩИТА НА ДВИГАТЕЛЯ В ЗАВИСИМОСТ ОТ НАТОВАРВАНЕТО

Да се свързва само към еднофазен променлив ток и само към мрежово напрежение, посочено върху заводската табелка. Възможно е и свързване към контакт, който не е от тип „шуко“, понеже конструкцията е от защитен клас II.

СЕ - ДЕКЛАРАЦИЯ ЗА СЪОТВЕТСТВИЕ

Заявяваме под собствена отговорност, че описаният в “Технически данни” продукт съответства на всички важни разпоредби на директива 2011/65/EU (RoHS), 2004/108/EG, 2006/42/EG, както и на всички следващи нормативни документи във тази връзка:

EN 60745-1:2009
EN 60745-2-3:2011
EN 55014-1:2006 + A1:2009 + A2:2011
EN 55014-2:1997 + A1:2001 + A2:2008
EN 61000-3-2:2006 + A1:2009 + A2:2009
EN 61000-3-3:2008



Winnenden, 2013-05-07

Alexander Krug / Managing Director

Упълномощен за съставяне на техническата документация

Techtronic Industries GmbH

Max-Eyth-Straße 10, 71364 Winnenden, Germany

ПОДДРЪЖКА

Вентилационните шлицы на машината да се поддържат винаги чисти.

Във вентилационните шлицы не бива да попадат метални части поради опасност от късо съединение.

Да се използват само аксесоари на Milwaukee и резервни части на Milwaukee. Елементи, чията подмяна не е описана, да се дадат за подмяна в сервис на Milwaukee (вижте брошурата „Гарантия и адреси на сервизи“).

При необходимост можете да поискате схема на елементите на уреда при посочване на обозначение на машината и шестцифрения номер на табелката за технически данни от Вашия сервис или директно на Techtronic Industries GmbH, Max-Eyth-Straße 10, 71364 Winnenden, Германия.

ЕЛЕКТРОНИКА

AGV 12-125 X, AGV 12-125 PD

Плавният старт, осигурен от електрониката за сигурно манипулиране с машината, предотвратява при включване появата на тласъци при задействането на машината.

Нулевият прекъсвач предотвратява повторно задвижване на машината след отпадане на тока. При възобновяване на работата машината да се изключи и да се включи отново.

Уредът разполага със защитна функция срещу претоварване и внезапна реакция, и спира при съответното претоварване. Моля, обърнете внимание, че при преодоляване на претоварването машината ще се върне сама на първоначалните обороти.

След достигане на работните обороти уредът отново е готов за експлоатация.

СИМВОЛИ



Преди пускане на уреда в действие моля прочетете внимателно инструкцията за използване.



ВНИМАНИЕ! ПРЕДУПРЕЖДЕНИЕ! ОПАСНОСТ



При работа с машината винаги носете предпазни очила.



Преди каквито и да е работи по машината извадете щепсела от контакта.



Акcesoари - Не се съдържат в обема на доставката, препоръчвано допълнение от програмата за акcesoари.



Не изхвърляйте електроинструменти при битовите отпадъци! Съобразно Европейска директива 2002/96/ЕО за стари електрически и електронни уреди и нейното реализиране в националното законодателство изхабените електроинструменти трябва да се събират отделно и да се предават в пункт за екологосъобразно рециклиране.



Клас на защита II, електроинструмент, при който защитата срещу токов удар зависи не само от основното изолиране, а при която се използват допълнителни предпазни мерки, като двойна изолация или подсилена изолация.





DATE TEHNICE Polizor unghiular	AG 12-115 X (220-240 V)	AG 12-115 X (110-120 V)	AG 12-125 X (220-240 V)
Număr producție	4281 36 01... 4280 51 01... 4280 61 01... ... 000001-999999	4281 41 01... 4280 66 01... ... 000001-999999	4280 78 01... ... 000001-999999
Putere nominală de ieșire	1200 W	1200 W	1200 W
Turație nominală	11000 min ⁻¹	11000 min ⁻¹	11000 min ⁻¹
Diametru disc de rectificare	115 mm	115 mm	125 mm
Grosimea discului de șlefuit	6 mm (1/4")	6 mm (1/4")	6 mm (1/4")
Filetul axului de lucru	M 14	M 14	M 14
Greutatea conform „EPTA procedure 01/2003”	2,3 kg	2,3 kg	2,3 kg
Informație privind zgomotul/vibrațiile Valori măsurate determinate conform EN 60745. Nivelul de zgomot evaluat cu A al aparatului este tipic de: Nivelul presiunii sonore Nivelul sunetului	89,0 dB(A) 100,0 dB(A)	89,5 dB(A) 100,5 dB(A)	89,0 dB(A) 100,0 dB(A)
Purtați căști de protecție Valorile totale de oscilație (suma vectorială pe trei direcții determinate conform normei EN 60745). Șlefuirea suprafețelor: Valoarea emisiei de oscilații a _h Nesiguranță K= Șlefuirea cu foaie de șlefuit: Valoarea emisiei de oscilații a _h Nesiguranță K=	7,8 m/s ² 1,5 m/s ² 3,6 m/s ² 1,5 m/s ²	6,8 m/s ² 1,5 m/s ² 4,5 m/s ² 1,5 m/s ²	7,8 m/s ² 1,5 m/s ² 3,6 m/s ² 1,5 m/s ²

DATE TEHNICE Polizor unghiular	AGV 12-125 X (220-240 V)	AGV 12-125 X PD (220-240 V)
Număr producție	4280 86 01... ... 000001-999999	4332 41 01... ... 000001-999999
Putere nominală de ieșire	1200 W	1200 W
Turație nominală	11000 min ⁻¹	11000 min ⁻¹
Diametru disc de rectificare	125 mm	125 mm
Grosimea discului de șlefuit	6 mm (1/4")	6 mm (1/4")
Filetul axului de lucru	M 14	M 14
Greutatea conform „EPTA procedure 01/2003”	2,4 kg	2,4 kg
Informație privind zgomotul/vibrațiile Valori măsurate determinate conform EN 60745. Nivelul de zgomot evaluat cu A al aparatului este tipic de: Nivelul presiunii sonore Nivelul sunetului	89,0 dB(A) 100,0 dB(A)	89,0 dB(A) 100,0 dB(A)
Purtați căști de protecție Valorile totale de oscilație (suma vectorială pe trei direcții determinate conform normei EN 60745). Șlefuirea suprafețelor: Valoarea emisiei de oscilații a _h Nesiguranță K= Șlefuirea cu foaie de șlefuit: Valoarea emisiei de oscilații a _h Nesiguranță K=	7,8 m/s ² 1,5 m/s ² 3,6 m/s ² 1,5 m/s ²	7,8 m/s ² 1,5 m/s ² 3,6 m/s ² 1,5 m/s ²

AVERTISMENT

Gradul de oscilație indicat în prezentele instrucțiuni a fost măsurat în conformitate cu o procedură de măsurare normală prin norma EN 60745 și poate fi folosit pentru a compara unelte electrice între ele. El se pretează și pentru o evaluare provizorie a solicitării la oscilații.

Gradul de oscilație indicat reprezintă aplicațiile principale ale uneltelor electrice. În cazul în care însă uneltele electrice au fost folosite pentru alte aplicații, ori au fost folosite unelte de muncă diferite ori acestea nu au fost supuse unei suficiente inspecții de întreținere, gradul de oscilație poate fi diferit.

Acest fapt poate duce la o creștere netă a solicitărilor la oscilații dealungul întregii perioade de lucru. În scopul unei evaluări exacte a solicitării la oscilații, urmează să fie luate în considerare și perioadele de timp în care aparatul a fost oprit ori funcționează dar, în realitate, el nu este folosit în mod practic. Acest fapt poate duce la o reducere netă a solicitărilor la oscilații dealungul întregii perioade de lucru.

Stabiliți măsuri de siguranță suplimentare în scopul protecției utilizatorului de efectele oscilațiilor, de exemplu: inspecție de întreținere a uneltelor electrice și a celor de muncă, păstrarea caldă a mâinilor, organizarea proceselor de muncă.

⚠️ AVERTISMENT! Citiți toate avizele de siguranță și indicațiile, chiar și cele din borșura alăturată. Nerespectarea indicațiilor de avertizare și a instrucțiunilor poate provoca electrocutare, incendii și/sau răniri grave.
Păstrați toate indicațiile de avertizare și instrucțiunile în vederea utilizărilor viitoare.

INSTRUCȚIUNI DE SECURITATE

Avertismente comune pentru șlefuire, șlefuire cu hârtie abrazivă, lucrul cu perile de sârmă, lustruire și tăiere:

a) Această sculă electrică se va folosi ca polizor, perie de sârmă și mașină specială de retezat cu disc abraziv. Respectați toate avertismentele, instrucțiunile, reprezentările și datele primite împreună cu scula electrică. În cazul în care nu veți respecta următoarele instrucțiuni, se poate ajunge la electrocutare, incendii și/sau răniri grave.

b) Această sculă electrică nu este adecvată pentru lustruire. Utilizările care nu sunt recomandate pentru această sculă electrică pot cauza situații periculoase și răniri.

c) Nu folosiți dispozitive de lucru care nu sunt prevăzute și recomandate în mod special de către producător pentru această sculă electrică. Faptul în sine că dispozitivul respectiv poate fi montat pe scula dumneavoastră electrică nu garantează în niciun caz utilizarea lui sigură.

d) Numărul de rotații admis pentru elementele de montat în aparat, trebuie să fie la fel de mare ca numărul de rotații înscris pe acesta. O rotire mai rapidă decât cea admisă le poate sparge sau azvîrli din aparat.

e) Diametrul exterior și grosimea dispozitivului de lucru trebuie să corespundă datelor dimensionale ale sculei dumneavoastră electrice. Dispozitivele de lucru greșit dimensionale nu pot fi protejate sau controlate în suficientă măsură.

f) Discurile de șlefuit, flanșele, discurile abrazive sau celelalte accesorii trebuie să se potrivească exact pe arborele de polizat al sculei dumneavoastră electrice. Dispozitivele de lucru care nu se potrivesc exact pe arborele de polizat al sculei dumneavoastră electrice, se rotesc neuniform, vibrează foarte puternic și pot duce la pierderea controlului.

g) Nu folosiți dispozitive de lucru deteriorate. Înainte de fiecare utilizare controlați dacă dispozitivele de lucru ca discurile de șlefuit nu sunt sparte și fisurate, dacă discurile abrazive nu sunt fisurate, uzate sau foarte toxice, dacă perile de sârmă nu prezintă fire desprinse sau rupte. Dacă scula electrică sau dispozitivul de lucru cade pe jos, verificați dacă nu s-a deteriorat sau folosiți un dispozitiv de lucru nedeteriorat. După ce ați controlat și montat dispozitivul de lucru, țineți persoanele aflate în preajmă în afara planului de rotație al dispozitivului de lucru și lăsați scula electrică să funcționeze un minut la turația nominală. De cele mai multe ori, dispozitivele de lucru deteriorate se rup în această perioadă de probă.

h) Purtați echipament personal de protecție. În funcție de utilizare, purtați o protecție completă a feței, protecție pentru ochi sau ochelari de protecție. Dacă este cazul, purtați mască de protecție împotriva prafului, protecție auditivă, mănuși de protecție sau șorț special care să vă ferească de micile așchii și particule de material. Ochiul trebuie protejat de corpurile străine aflate în zbor, aparute în cursul diferitelor aplicații. Maska de protecție împotriva prafului sau masca de protecție a respirației trebuie să filtreze praful degajat în timpul utilizării. Dacă sunteți expuși timp îndelungat zgomotului puternic, vă puteți pierde auzul.

i) Aveți grijă ca celelalte persoane să păstreze o distanță sigură față de sectorul dumneavoastră de lucru. Oricine pătrunde în sectorul de lucru trebuie să poarte echipament personal de protecție. Fragmente din piesa de lucru sau din dispozitivele rupte pot zbura necontrolat și provoca răniri chiar în afara sectorului direct de lucru.

j) Apucați scula electrică numai de mânerile izolate atunci când executați lucrări la care dispozitivul de lucru poate nimeri conductorii electrici ascunși sau propriul cablu de alimentare. Intrarea în contact a sculei tăietoare cu o linie electrică prin care circulă curent poate pune sub tensiune și componente metalice ale aparatului și să ducă la electrocutare.

k) Țineți cablul de alimentare departe de dispozitivele de lucru care se rotesc. Dacă pierdeți controlul asupra mașinii, cablul de alimentare poate fi tăiat sau prins iar mâna sau brațul dumneavoastră poate nimeri sub dispozitivul de lucru care se rotește.

l) Nu puneți niciodată jos scula electrică înainte ca dispozitivul de lucru să se fi oprit complet. Dispozitivul de lucru care se rotește poate ajunge în contact cu suprafața de sprijin, fapt care vă poate face să pierdeți controlul asupra sculei electrice.

m) Nu lăsați scula electrică să funcționeze în timp ce o transportați. În urma unui contact accidental cu dispozitivul de lucru care se rotește, acesta vă poate prinde îmbrăcămintea și chiar pătrunde în corpul dumneavoastră.

n) Curățați regulat fanțele de aerisire ale sculei dumneavoastră electrice. Ventilatorul motorului atrage praf în carcasă iar acumularea puternică de pulberi metalice poate provoca pericole electrice.

o) Nu folosiți scula electrică în apropierea materialelor inflamabile. Scântelele pot duce la aprinderea acestor materiale.

p) Nu folosiți dispozitive de lucru care necesită agenți de răcire lichizi. Folișirea apei sau a altor agenți de răcire lichizi poate duce la electrocutare.

Recul și avertismente corespunzătoare

Recul este reacția bruscă apărută la agățarea sau blocarea unui dispozitiv de lucru care se rotește, cum ar fi un disc de șlefuit, un disc abraziv, o perie de sârmă, etc. Agățarea sau blocarea duce la oprirea bruscă a dispozitivului de lucru care se rotește. Aceasta face, ca scula electrică necontrolată să fie accelerată în punctul de blocare, în sens contrar direcției de rotație a dispozitivului de lucru.

Dacă, de exemplu, un disc de șlefuit se agăță sau se blochează în piesa de lucru, marginea discului de șlefuit care penetrează direct piesa de lucru se poate agățea în aceasta și duce astfel la smulgerea discului de șlefuit sau poate provoca recul. Discul de șlefuit se va deplasa către operator sau în sens opus acestuia, în funcție de direcția de rotație a discului în punctul de blocare. În această situație discurile de șlefuit se pot chiar rupe.

Un recul este consecința utilizării greșite sau defectuoase a sculei electrice. El poate fi împiedicat prin măsuri preventive adecvate, precum cele descrise în continuare.

a) Țineți bine scula electrică și aduceți-vă corpul și brațele într-o poziție în care să puteți controla forțele de recul. Folosiți întotdeauna un mâner suplimentar, în caz că acesta există, pentru a avea un control maxim asupra forțelor de recul sau a momentelor de reacție la turații înalte. Operatorul poate stăpâni forțele de recul și de reacție prin măsuri preventive adecvate.

b) Nu apropiați niciodată mâna de dispozitivele de lucru aflate în mișcare de rotație. În caz de recul dispozitivul de lucru se poate deplasa peste mâna dumneavoastră.

c) Evitați să staționați cu corpul în zona de mișcare a sculei electrice în caz de recul. Reculul proiectează scula electrică într-o direcție opusă mișcării discului de șlefuit din punctul de blocare.



d) Lucrați extrem de atent în zona colțurilor, muchiilor ascuțite, etc. Impiedicați ricoșarea dispozitivului de lucru de pe piesa de lucru și blocarea acestuia. Dispozitivul de lucru aflat în mișcare de rotație are tendința să se blocheze în colțuri, pe muchii ascuțite sau când ricoșează în urma izbirii. Aceasta duce la pierderea controlului sau la recul.

e) Nu utilizați discuri cu lanț sau discuri dințate. Asemenea accesorii de lucru provoacă des recul sau pierderea controlului asupra aparatului.

Avertismente speciale privind șlefuirea și tăierea

a) Folosiți numai corpuri abrazive admise pentru scula dumneavoastră electrică și o apărătoare de protecție prevăzută pentru aceste corpuri abrazive. Corpurile abrazive care nu sunt prevăzute pentru această sculă electrică nu pot fi acoperite și protejate suficient, fiind nesigure.

b) Discurile de șlefuit cu centrul depresat trebuie montate astfel încât suprafața abrazivă să nu treacă peste marginea planului carcasei de protecție. Dacă discul este montat încorect și depășește planul carcasei de protecție, el nu poate fi protejat în mod corespunzător.

c) Folosiți întotdeauna apărătoarea de protecție prevăzută pentru corpul abraziv întrebuițat. Apărătoarea de protecție trebuie fixată sigur pe scula electrică și astfel ajustată încât să atingă un grad maxim de siguranță în exploatare, adică numai o porțiune extrem de mică a corpului abraziv să rămână descoperită în partea dinspre operator. Apărătoarea de protecție trebuie să protejeze operatorul de fragmentele desprinse prin șlefuire și de atingerea accidentală a corpului abraziv.

d) Corpurile abrazive trebuie folosite numai pentru posibilitățile de utilizare recomandate. De exemplu: nu șlefuiți cu partea laterală a unui disc de tăiere. Discurile de tăiere sunt destinate îndepărtării de material cu marginea discului. Exercițierea unei forțe laterale asupra acestui corp abraziv poate duce la ruperea sa.

e) Folosiți întotdeauna flanșe de prindere nedeteriorate având dimensiuni și forme corespunzătoare discului de șlefuit ales de dumneavoastră. Flanșele adecvate sprijină discul de șlefuit diminuând astfel pericolul ruperii acestuia. Flanșele pentru discuri de tăiere pot fi diferite față de flanșele pentru alte discuri de șlefuit.

f) Nu întrebuiți discuri de șlefuit uzate provenind de la scule electrice mai mari. Discurile de șlefuit pentru sculele electrice mai mari nu sunt concepute pentru turațiile mai ridicate ale sculelor electrice mai mici și se pot rupe.

Alte avertismente speciale privind tăierea

a) Evitați blocarea discului de tăiere sau o apăsare prea puternică. Nu executați tăieri exagerat de adânci. O supraîncărcare a discului de tăiere mărește solicitarea acestuia și tendința sa de a devia, de a se răscui în piesa de lucru sau de a se bloca, apărând astfel posibilitatea unui recul sau a ruperii corpului abraziv.

b) Evitați zona din față și din spatele discului de tăiere care se rotește. Dacă deplasați discul de tăiere în piesa de lucru în direcție opusă dumneavoastră, în caz de recul, scula electrică împreună cu discul care se rotește pot fi proiectate direct spre dumneavoastră.

c) Dacă discul de tăiere se blochează sau dacă întrerupeți lucrul, deconectați scula electrică și nu o mișcați până când discul se oprește complet. Nu încercați niciodată să extrageți discul de tăiere din tăietură, altfel se poate produce un recul. Stabilități și îndepărtați cauza blocării discului.

d) Nu reporniți niciodată scula electrică cât timp aceasta se mai află încă în piesa de lucru. Lăsați discul de tăiere să atingă turația nominală și numai după aceea continuați să tăiați cu

precauție. În caz contrar discul se poate agăța, sări afară din piesa de lucru sau provoca recul.

e) Sprijiniți plăcile sau piesele de lucru mari pentru a diminua riscul reculului cauzat de blocarea discului de tăiere. Piesele mari se pot încovoia sub propria greutate. De aceea, piesa de lucru trebuie sprijinită pe ambele părți, atât în apropierea liniei de tăiere cât și pe margine.

f) Fiți extrem de atenți în cazul “tăierii de cavități” în pereți deja existenți sau în alte sectoare fără vizibilitate. La penetrarea în sectorul vizat, discul de tăiere poate cauza recul dacă nimereste în conducte de gaz sau de apă, conductori electrici sau alte obiecte.

Avertismente speciale privind șlefuirea cu hârtie abrazivă

a) Nu întrebuiți foii abrazive supradimensionate și respectați indicațiile fabricantului privitoare la dimensiunile foilor abrazive. Foile abrazive care depășesc marginile discului abraziv, pot cauza răniri precum și agățarea, ruperea foilor abrazive, sau pot duce la recul.

Avertismente speciale privind lucrul cu perile de sârmă

a) Se va avea în vedere faptul că și în timpul unei utilizări normale din peria de sârmă cad bucăți de sârmă. Sârma nu va fi suprasolicitată prin intermediul unei presiuni de apăsare prea mari. Bucăți de sârmă desprinse, existente în atmosferă pot intra cu ușurință prin îmbrăcămintea subțire și/sau prin piele.

b) Dacă se recomandă o apărătoare de protecție, împiedicați contactul dintre apărătoarea de protecție și peria de sârmă. Discurile-perie și perile-oolă își pot mări diametrul sub acțiunea presiunii de apăsare și a forțelor centrifuge.

Aparatele utilizate în multe locații diferite inclusiv în aer liber trebuie conectate printr-un disjunctiv (FI, RCD, PRCD) care previne comutarea.

Rumegușul și spanul nu trebuie îndepărtate în timpul funcționării mașinii.

Conectați la rețea numai când mașina este oprită.

Nu intrați niciodată în zona de pericol a plăcii când este în mișcare. Utilizați întotdeauna mânerul auxiliar.

Întotdeauna utilizați capacul de protecție când se degrează și se separă.

Opriti imediat mașina în caz de vibrații puternice sau dacă apar alte defecțiuni. Verificați mașina pentru depistarea cauzei.

Întotdeauna utilizați și păstrați discurile de șlefuire numai în conformitate cu instrucțiunile producătorului.

Când se șlefuieste metal, se produc scântei zburătoare. Aveți grijă că nici o persoană să nu fie pusă în pericol. Datorită pericolului de incendiu, nici un material combustibil nu trebuie să fie amplasat în vecinătate (în zona de zbor a scânteiilor)

Aveți grijă că nici o scânteaie sau praf de șlefuit să nu

Când se taie piatra, trebuie utilizat papucul de ghidare !

Piulița de reglare trebuie să fie strâns înainte de începerea lucrului cu această mașina.

Piesa de prelucrat trebuie fixată dacă nu este suficient de grea pentru a fi stabilă. Nu îndreptați niciodată piesa de prelucrat către discul polizorului cu mina dvs.

În condiții extreme de utilizare (de ex. lustruirea metalelor cu platanul de reazem și cu discurile de șlefuit din fibră vulcanizată), în interiorul polizorului unghiular poate apărea murdărie în cantitate mare. În asemenea condiții de utilizare, din motive de siguranță este necesară o curățare temeinică a depunerilor metalice din interior și, obligatoriu, inserierea unui întrerupător



diferențial. În caz de declanșare a întrerupătorului diferențial, mașina se va trimite la reparat.

Pentru sculele care se intenționează a fi dotate cu roți cu orificiu filetat, asigurați-vă că filetul roții este destul de lung pentru a accepta lungimea axului.


Pentru lucrări de retezare folosiți casca de protecție din programul de accesorii.

CONDIȚII DE UTILIZARE SPECIFICATE

Mașina de șlefuit unghiuri poate fi utilizată la retezarea și lăcreții carea de degroșare a numeroase materiale, ca de ex. metale sau piatră, precum și pentru polizatul cu disc de polizatin material plastic, de asemenea pentru lucrul cu peria desărmă de oțel. În caz de dubiu, țineți cont de indicațiile fabricanților de accesorii.

Nu utilizați acest produs în alt mod decât cel stabilit pentru utilizare normală

ALIMENTARE DE LA REȚEA

 Conectați numai la priza de curent alternativ monofazat și numai la tensiunea specificată pe plăcuța indicatoare. Se permite conectarea și la prize fără împământare dacă modelul se conformează clasei II de securitate.

DECLARAȚIE DE CONFORMITATE

Declarăm pe propria răspundere că produsul descris la "Date tehnice" este în concordanță cu toate prevederile legale relevante ale Directivei 2011/65/EU (RoHS), 2004/108/CE, 2006/42/CE și cu următoarele norme armonizate:

EN 60745-1:2009

EN 60745-2-3:2011

EN 55014-1:2006 + A1:2009 + A2:2011

EN 55014-2:1997 + A1:2001 + A2:2008

EN 61000-3-2:2006 + A1:2009 + A2:2009

EN 61000-3-3:2008



Winnenden, 2013-05-07

Alexander Krug / Managing Director
Împuternicit să elaboreze documentația tehnică.

Techtronic Industries GmbH
Max-Eyth-Straße 10, 71364 Winnenden, Germany

INTREȚINERE

Fantele de aerisire ale mașinii trebuie să fie menținute libere tot timpul

Nu lăsați nici o piesă metalică să intre în fantele de aerisire - pericol de scurt circuit.

Utilizați numai accesorii și piese de schimb Milwaukee. Dacă unele din componente care nu au fost descrise trebuie înlocuite, vă rugăm contactați unul din agenții de service Milwaukee (vezi lista noastră pentru service / garanți)

Dacă este necesar, puteți solicita de la centrul dvs. de service pentru clienți sau direct la Techtronic Industries GmbH, Max-Eyth-Straße 10, 71364 Winnenden, Germania un desen descompus al aparatului prin indicarea tipului de aparat și a numărului cu șase cifre de pe tăblița indicatoare.

ELECTRONICE

AGV 12-125 X, AGV 12-125 XPD

Pornirea electronică lină pentru economie previne funcționarea sacadată a mașinii.

Un comutator de tensiune zero previne repornirea mașinii după o cădere de tensiune. La reluarea lucrului, opriti mașina și apoi o reporniți.

Mașina este dotată cu un sistem de protecție la suprasolicitare și cu un sistem anti-recul și se oprește în cazul unei suprasolicitări corespunzătoare. Vă rugăm să rețineți, că după ce sarcina dispore, mașina revine din nou, în mod automat, la turația de lucru inițială. După atingerea turației de lucru, mașina poate fi utilizată din nou.

SIMBOLURI



Vă rugăm citiți cu atenție instrucțiunile înainte de pornirea mașinii



PERICOL! AVERTIZARE! ATENȚIE!



Purtați întotdeauna ochelari de protecție când utilizați mașina.



Întotdeauna scoateți stecarul din priza înainte de a efectua intervenții la mașină.



Accesoriu - Nu este inclus în echipamentul standard, disponibil ca accesoriu



Nu aruncați scule electrice în gunoiul menajer! Conform directivei europene nr. 2002/96/EC referitor la aparate electrice și electronice uzate precum și la transpunerea acesteia în drept național, sculele electrice trebuie colectate separat și introduse într-un circuit de reciclare ecologic.



Clasa de protecție II, scule electrice la care protecția împotriva curentării nu depinde numai de izolația de bază, ci la care se folosesc măsuri de protecție suplimentare precum izolația dublă sau izolația ranforsată.



Ro

ТЕХНИЧКИ ПОДАТОЦИ Аголна брусилка	AG 12-115 X (220-240 V)	AG 12-115 X (110-120 V)	AG 12-125 X (220-240 V)
Произведен број	4281 36 01... 4280 51 01... 4280 61 01... ... 000001-999999	4281 41 01... 4280 66 01... ... 000001-999999	4280 78 01... ... 000001-999999
Определен внес	1200 W	1200 W	1200 W
Номинална брзина	11000 min ⁻¹	11000 min ⁻¹	11000 min ⁻¹
Дијаметар на дискот за глодање	115 mm	115 mm	125 mm
Дебелина на стружниот диск	6 mm (1/4")	6 mm (1/4")	6 mm (1/4")
Срце на работната оска	M 14	M 14	M 14
Тежина според ЕПТА-процедурата 01/2003	2,3 kg	2,3 kg	2,3 kg
Информација за бучавата/вибрациите Измерените вредности се одредени согласно стандардот EN 60 745. А-оценетото ниво на бучава на апаратот типично изнесува: Ниво на звучен притисок. (K=3dB(A)) Ниво на јачина на звук. (K=3dB(A)) Носте штитник за уши.			
Вкупни вибрациски вредности (векторски збир на трите насоки) пресметани согласно EN 60745.			
Стружење на површини: Вибрациска емисиона вредност a _h Несигурност K=	7,8 m/s ² 1,5 m/s ²	6,8 m/s ² 1,5 m/s ²	7,8 m/s ² 1,5 m/s ²
Стружење со лист за стружење: Вибрациска емисиона вредност a _h Несигурност K=	3,6 m/s ² 1,5 m/s ²	4,5 m/s ² 1,5 m/s ²	3,6 m/s ² 1,5 m/s ²



ТЕХНИЧКИ ПОДАТОЦИ Аголна брусилка	AGV 12-125 X (220-240 V)	AGV 12-125 X PD (220-240 V)
Произведен број	4280 86 01... ... 000001-999999	4332 41 01... ... 000001-999999
Определен внес	1200 W	1200 W
Номинална брзина	11000 min ⁻¹	11000 min ⁻¹
Дијаметар на дискот за глодање	125 mm	125 mm
Дебелина на стружниот диск	6 mm (1/4")	6 mm (1/4")
Срце на работната оска	M 14	M 14
Тежина според ЕПТА-процедурата 01/2003	2,4 kg	2,4 kg
Информација за бучавата/вибрациите Измерените вредности се одредени согласно стандардот EN 60 745. А-оценетото ниво на бучава на апаратот типично изнесува: Ниво на звучен притисок. (K=3dB(A)) Ниво на јачина на звук. (K=3dB(A)) Носте штитник за уши.		
Вкупни вибрациски вредности (векторски збир на трите насоки) пресметани согласно EN 60745.		
Стружење на површини: Вибрациска емисиона вредност a _h Несигурност K=	7,8 m/s ² 1,5 m/s ²	7,8 m/s ² 1,5 m/s ²
Стружење со лист за стружење: Вибрациска емисиона вредност a _h Несигурност K=	3,6 m/s ² 1,5 m/s ²	3,6 m/s ² 1,5 m/s ²

ПРЕДУПРЕДУВАЊЕ

Нивото на осцилација наведено во овие инструкции е измерено во согласност со мерните постапки нормирани во EN 60745 и може да биде употребено за меѓусебна споредба на електро-алати. Ова ниво може да се употреби и за привремена проценка на оптоварувањето на осцилацијата.

Наведеното ниво на осцилација ги репрезентира главните намени на електро-алатот. Но, доколку електро-алатот се употребува за други намени, со отстапувачки податоци или со несоодветно одржување, нивото на осцилација може да отстапи. Тоа може значително да го зголеми оптоварувањето на осцилацијата за време на целиот работен период.

За прецизна проценка на оптоварувањето на осцилацијата предвид треба да бидат земени и времињата, во коишто апаратот е исклучен или работи, но фактички не се употребува. Тоа може значително да го намали оптоварувањето на осцилацијата за време на целиот работен период.

Утврдете дополнителни безбедносни мерки за заштита на операторот од влијанието на осцилациите, како на пример: одржување на електро-алатот и на податоци кон електро-алатот, одржување топли раце, организација на работните процеси.

⚠ ПРЕДУПРЕДУВАЊЕ! Прочитајте ги сите безбедносни упатства и инструкции. Заборавање на почитувањето на безбедносните упатства и инструкции можат да предизвикаат електричен удар, пожар и/или тешки повреди. Сочувајте ги сите безбедносни упатства и инструкции за во иднина.

УПАТСТВО ЗА УПОТРЕБА

Зеднички безбедносни упатства за мазнење, мазнење со рапава хартија, работа со жичани четки, полирање и делење:

а) Овој електро-алат треба да се употребува како шлајферица, шлајферица со хартија за шмирглање, четка со жица и машина за брусење со делење. Почитувајте ги сите безбедносни упатства, упатства за работа, прикази и податоци што ги добивате заедно со електричниот алат. Доколку не ги почитувате следните упатства, може да дојде до електричен удар, до пожар и/или до тешки повреди.

б) Овој електро-алат не е наменет за рапава хартија и за полирање. Секакви употреби, за кои овој алат не е предвиден, можат да предизвикаат загрозувања и повреди.

в) Не употребувајте прибор што не е предвиден и препорачан од производителот специјално за овој електро-алат. Доколку извесен прибор можете да го прицврстите на вашиот електричен алат, тоа не претставува гаранција за сигурно употреба.

г) Бројот на вртежи на алатот, којшто се употребува, мора да биде нај-малку толку висок како и бројот на вртежите на вашиот електро-алат. Додатокот, којшто се врти побрзу, може да се скриша и да излета.

д) Надворешниот дијаметар и дебелината на приборот мора да соодветствуваат со податоците за димензиите на вашиот електро-алат. Приборите со несоодветна димензија не можат да бидат соодветно заштитени или контролирани.

е) Дисквите за брусење, фланшовите, дисквите (подножјата за брусење) или друг прибор мора прецизно да соодветствуваат на осовината на вашиот електро-алат. Приборот што не одговара прецизно во осовината на електро-алатот, се врти нерамномерно, избира мошне јако и може да доведе до губење на контролата.

ж) Не употребувајте оштетен прибор. Пред секоја употреба извршете контрола, како на пример на дисквите за брусење по однос на расцепи и пукнатини, на подножјата за брусење по однос на пукнатини, изабаност или голема искористеност, на четките со жици по однос на лабави или скршени жици. Ако електро-алатот или приборот паднат, проверете, дали тие се оштетени или употребете неоштетен прибор. Ако приборот сте го провериле и го употребувате, тогаш вие и лицата, кои се наоѓаат во близина, треба да бидете вон доменот на ротирачкиот прибор и оставете го приборот да работи една минута со максимален број на вртежи. Оштетениот прибор најчесто се крши во овој тест-период.

з) Носете опрема за лична заштита. Зависно од употребата, користете целосна визуелна заштита, заштита за очите или заштитни очила. Доколку е потребно, носете маска за заштита од прашина, заштита за ушите, заштитни ракавици или специјална престилка, со која се заштитувате од ситни честички од шлајфовањето и од материјалот. Очите треба да бидат заштитени од страни тела што се разлетуваат наоколу, а кои настануваат при различни употреби. Заштита маска

од прашина и за дишење мора да ја филтрираат прашината што се создава при работата. Доколку сте подолго време изложени на гласна бучава, тоа може да предизвика губење на слухот.

и) Кај лицата што стојат во близина внимавајте на тоа да се почитува безбедно растојание од вашиот делокруг на работа. Секој што ќе пристапи во делокругот на работа, мора да носи опрема за лична заштита. Можат да се разлетаат парчиња од работниот материјал или од скршен прибор и да предизвикаат повреди, исто така и надвор од директниот делокруг на работа.

ј) Не оставајте го електро-алатот само на изолирани површини за држење, додека извршувате работи, кај кои приборот може да погоди скршени струјни водови или сопствениот кабел за напојување со струја. Контакт со жица под напон исто така ќе направи проводници од металните делови и оној кој ракува со алатот ќе доживее струен удар.

к) Кабелот за напојување со струја чувајте го настрана од прибор што се врти. Доколку ја изгубите контролата над електро-алатот, кабелот за напојување со струја може да се исече или да се закачи и вашата рака или вашата дланка да бидат повлечени во приборот што се врти.

л) Никогаш не оставајте го електро-алатот, додека тој не постигне состојба на комплетно мирување. Електро-алатот што се врти може да дојде во контакт со површината, на којшто се остава, а на тој начин можете да ја изгубите контролата над електро-алатот.

м) Не оставајте го електро-алатот да работи додека го носите. Вашата облека може да биде закачена преку случаен контакт со приборот што се врти, при што тој може да навлезе во вашето тело.

н) Редовно чистете го отворот за проветрување на вашиот електро-алат. Вентилаторот на моторот влече прашина во куќиштето, а големо насобирање на метална прашина може да предизвика електрични опасности.

о) Не употребувајте го електро-алатот во близина на материјали што горат. Таквите материјали можат да се запалат од искри.

п) Не употребувајте прибор, за којшто се потребни течни средства за ладење. Употребата на вода или на други течни средства за ладење може да доведе до електричен удар.

Повратен удар и референтни безбедносни упатства

Повратниот удар претставува неочекувана реакција како последица на заглавен или блокиран прибор што се врти, како на диск за брусење, подножје за брусење, четка со жица итн. Заглавувањето или блокирањето доведува до неодоливо стопирање на ротирачкиот прибор. На тој начин неконтролираниот електро-алат се забрзува во спротивна насока од насоката на вртење на приборот во точката на спојување.

Доколку, на пример, диск за брусење е заглавен или блокиран во материјалот, работ на дискот за брусење што навлегува во материјалот, може да се закачи и на тој начин да дојде до излегување на дискот или да се предизвика повратен удар. Во таков случај дискот за брусење се движи или кон операторот или настрана од него, зависно од насоката на вртење на дискот во точката на спојување. Притоа дисквите за брусење можат исто така и да се скршат.

Повратен удар претставува последица од погрешна или неисправна употреба на електро-алатот. Тој може да биде избегнат со соодветни мерки на претпазливост, како што се опишани подолу.



а) **Држете го електро-алатот цврсто и поставете ги вашето тело и вашите раце во позиција, со која ќе можете да дадете отпор на силите од повратиот удар. Секогаш употребувајте ја додатната рачка, доколку постои, за да можете да имате максимална можна контрола над силите од повратиот удар или на моментите на реакција при пуштање во работа.** Операторот може да ги контролира силите на повратиот удар и реакционите сили со преземање соодветни мерки на претпазливост.

б) **Никогаш не поставувајте ја вашата рака во близина на прибор што се врти.** Во случај на повратен удар, приборот може да биде ишфрен врз вашата рака.

с) **Избегнувајте го со вашето тело местото, во кое електро-алатот се движи во случај на повратен удар.** Повратиот удар го води електро-алатот во спротивна насока од насоката на движење на дискот за брусење на местото за спојување.

д) **Работете особено внимателно кај агли, остри рабови итн. Спречувајте ситуации, во кои приборот се одбива од и заглавува во материјалот за обработка.** Кај агли, остри рабови или во случај на одбивање ротирачкиот прибор е склон кон заглавување. Тоа предизвикува губење на контролата или повратен удар.

е) **Не употребувајте лист за пилење со ланци или запчаници.** Таквите орудија за примена честопати предизвикуваат повратен удар или губење на контролата врз електро-орудието.

Специјални безбедносни упатства за шлајфување и шлајфување со делење

а) **Употребувајте ги исклучително алатите за брусење што се одобрени за вашиот електро-алат како и заштитната капа што е предвидена за таквите алати за брусење.**

Алати за брусење, коишто не се предвидени за електро-алатот, не можат да бидат доволно заштитени и се несигурни.

б) **На косо сечени листови за стружење мора да бидат монтирани на тој начин што нивната површина за стружење нема да излегува надвор од нивото на работ на заштитната хауба.** Нестручно монтиран диск за стружење кој што излегува надвор од нивото на работ на заштитната хауба не може да биде доволно заштитен.

с) **Заштитната капа мора да биде сигурно поставена на електро-алатот и да биде така нагодена, што ќе се постигне максимално ниво на безбедност, тоа значи најмал дел од алатот за брусење да е насочен кон операторот.** Заштитната капа треба да го штити операторот од парчиња и од случаен контакт со телото за брусење.

д) **Телата за брусење смеат да се употребуваат само за препорачаните можности за употреба. На пример: никогаш не брусење со страничната површина од диск за делење.** Дисконите за делење се наменети за отстранување на материјал со работ на дискот. Дејството на странична сила врз овие тела за брусење може да ги скрши истите.

е) **Секогаш употребувајте за дисковите за брусење што сте ги одбрале неоштетени фланши за стегање, со исправна големина и форма.** Соодветните фланши го заштитуваат дискот за брусење и на тој начин ја намалуваат опасноста од кршење на дискот за брусење. Фланшите за дискови за делење можат да се разликуваат од фланшите за други дискови за брусење.

ф) **Не употребувајте искористени дискови за брусење од поголеми електро-алати.** Дисконите за брусење за поголеми електро-алати не се погодни за повисоките броеви на вртежи кај помалите електро-алати и можат да се скршат.

Други специјални безбедносни упатства за брусење со делење:

а) **Избегнувајте заглавување на дискот за делење или премногу висок контакттен притисок. Не изведувајте претерано длабоки засеци.** Преоптоварувањето на дискот за делење го зголемува неговиот напор и чувствителноста за извртување или блокирање, а со тоа и на можноста за повратен удар или за кршење на телото за брусење.

б) **Избегнувајте го доменот пред и зад ротирачки диск за делење.** Доколку дискот за делење го движите во материјалот за обработка во насока подалеку од себе, во случај на повратен удар електро-алатот со дискот што се врти, може да се насочи директно кон вас.

с) **Доколку дискот за делење се заглави или доколку прекинете со работа, исклучете го електро-алатот и држете го мирно сè додека дискот не постигне состојба на мирување. Никогаш не обидувајте се, да го извлечете дискот од засекот додека се врти, во спротивно може да дојде до повратен удар.** Констатирајте и отстранете ја причината за заглавувањето.

д) **Не вклучувајте го електро-алатот повторно, сè додека истиот се наоѓа во материјалот за обработка. Дозволете дискот да го достигне целиот број на вртежи, пред внимателно да го продолжите сечењето.** Во спротивно дискот може да заглави, да отскокне од материјалот за обработка или да предизвика повратен удар.

е) **Потпрете ги плочите или големите материјали за обработка, за да го намалите ризикот од повратен удар како резултат на заглавен диск за делење.** Големите материјали за обработка може да свијат како последица на својата тежина. Материјалот за обработка мора да биде потпран на двете страни и тоа како во близина на засекот за делење така и на работ.

ф) **Бидете особено внимателни при „сечење џебови“ кај сидови или во други непрегледни области.** Дискот што навлегува може да предизвика повратен удар при сечење во гасоводи или водоводи, понатаму во електрични водови или други објекти.

Специјални безбедносни упатства за мазнење со хартија за шмирглање:

а) **Не употребувајте прекудимензионираните листови за мазнење.** Следете ги податоците на производителот по однос на големината на листот за мазнење. Листови за шмирглање што зјаат надвор од подлогата за мазнење, можат да предизвикаат повреди како и блокирање, кинење на листовите или да доведат до повратен удар.

Специјални безбедносни упатства во врска со работата со четките со жица:

а) **Обратете внимание на тоа, дека челичната четка и за време на вообичаената употреба губи парчиња жица. Не ги преоптоварувајте жиците со премногу висок притисок на притиснување.** Парчиња жица кои што се разлетуваат, би можеле многу лесно да продрат низ лесна облека и/или кожата.

б) **Доколку е препорачана заштитна капа, спречете да дојде до можност за допир помеѓу заштитната капа и четката со жица.** Кај четките со подножје и за четкање може да дојде до зголемување на нивниот дијаметар како резултат на притисокот при допир и на центрифугалните сили.



Уредите кои се користат на многу различни локации вклучувајќи и отворен простор мора да бидат поврзани за струја преку направата за поврзување (FI, RCD, PRCD).

Прашината и струготините не смеат да се одстрануваат додека е машината работи.

Вклучувањето на кабелот во струја се прави исклучиво машината е исклучена.

Никогаш не посегнувајте во зоната на опасната работна површина при вклучена машина.

Секогаш користете ја помошната рачка.

Секогаш користете заштитен шлем при грубо стругање или одвојување.

Во случај на значителни вибрации или појава на други неправилности веднаш исклучете ја машината со цел да ја најдете причината за нив.

Секогаш користете ги и чувајте ги глодачките дискови согласно препораките на производителот.

При глодање на метал, се создаваат летечки искри. Погрижете се луѓето да не бидат загрознени. Поради ризик од пожар, запалливи матери не смеат да бидат лоцирани во близина (зона на искрење). Не користете издув за прав.

Треба да се поведе соодветна грижа за искрите или честичките од камена прашина кои летаат од обработуваното парче да не дојдат во контакт со вас.

При расцепување на камен мора да биде користена подлошка водилка!

Шрафот за штелување мора да биде затегнат пред да се почне со работа со машината.

Парчето кое се обработува мора да се прицврсти доколку не е доволно тешко за да биде стабилно. Никогаш не го насочувајте работното парче кон глодачкиот диск со рака.

При екстремни услови (пр: фино глодање метали со вретено или глодачко тркало со вулканизирани влакна), значително загадување може да се насобере однатре на аголната глодалка. Од безбедносни причини, во вакви услови, внатрешноста мора да биде комплетно исчистена од метални остатоци и прекинувачот на колото на моторот мора да биде сервиски поврзан. Доколку прекинувачот на колото на моторот ја расипе машината мора да биде пратена.

За алатите кои се наменати за опремување со шилесто тркало за дупчење, осигурете се дека жицата во тркалото е доволно долга за да ја прифати должината на вретеното.

За работи со делење употребувајте ја заштитната капа од програмата за прибор.

СПЕЦИФИЦИРАНИ УСЛОВИ НА УПОТРЕБА

Аголната брусилка се употребува за делење и брусење согреење (грубо гребење) на голем број материјали како например на метал или камен, како и за мазнење на подлогиза мазнење на пластика и за работа со четка со челичнажица. Во секој случај почитувајте ги упатствата на производителите на приборот.

Не го користете овој производ на било кој друг начин освен пропишаниот за нормална употреба.

ГЛАВНИ ВРСКИ

Да се спои само за една фаза АС коло и само на главниот напон наведен на плочката. Можно е исто така и поврзување на приклучок без заземјување доколку изведбата соодветствува на безбедност од 2 класа.

ЕУ-ДЕКЛАРАЦИЈА ЗА СООБРАЗНОСТ

Во своја сопствена одговорност изјавуваме дека под „Технички податоци“, опишаниот производ е во склад со сите релевантни прописи од регулативата 2011/65/EU (RoHS), 2004/108/EG, 2006/42/EG и следните хармонизирачки нормативни Документи:

EN 60745-1:2009
EN 60745-2-3:2011
EN 55014-1-2:2006 + A1:2009 + A2:2011
EN 55014-2:1997 + A1:2001 + A2:2008
EN 61000-3-2:2006 + A1:2009 + A2:2009
EN 61000-3-3:2008



Winnenden, 2013-05-07

Alexander Krug / Managing Director

Ополномоштен за составување на техничката документација.

Techtronic Industries GmbH

Max-Eyth-Straße 10, 71364 Winnenden, Germany

ОДРЖУВАЊЕ

Вентилациските отвори на машината мора да бидат комплетно отворени постојано.

Не дозволувајте какви и да се метални делови да дојдат до отворите за вентилација-ризик од куршлус!

Користете само Milwaukee додатоци и резервни делови. Доколку некои од компонентите кои не се опишани треба да бидат заменети, Ве молиме контактирајте ги сервисните агенти на Milwaukee (консултирајте ја листата на адреси).

При потреба може да се побара експлозионен цртеж на апаратот со наведување на машинскиот тип и шестцифрениот број на табличката со учинокот или во Вашата корисничка служба или директно кај Techtronic Industries GmbH, Max-Eyth-Straße 10, 71364 Winnenden, Германија.

ЕЛЕКТРОНИКА

AGV 12-125 X, AGV 12-125 PD

Електронски контролиран мазен старт за безбедно користење кој штити од почетното нагло задвижување на машината.

Нултиот прекинувач на напонот спречува повторно стартување на машината при дефект на напојувањето. При повторно стартување, исклучете ја машината, па потоа вклучете ја.

Апаратот располага со една заштитна функција за Overload и Anti Kickback и во случај на соодветно преоптоварување застанува со работа. Ве молиме обратете внимание дека машината во случај на престанок на преоптоварувањето повторно самостојно се враќа на претходниот број на работни вртежи. После постигнувањето на бројот на работни вртежи апаратот повторно е подготвен за употреба.



СИМБОЛИ



Ве молиме пред да ја стартувате машината обрнете внимание на упатствата за употреба.



ВНИМАНИЕ! ПРЕДУПРЕДУВАЊЕ! ОПАСНОСТ!



Секогаш при користење на машината носете ракавици.



Секогаш кога преземате активности врз машината исклучете го кабелот од струјата.



Дополнителна опрема - Не е вклучена во стандардната, а достапна е како додаток.



Не ги фрлајте електричните апарати заедно со другиот домашен отпад! Европска регулатива 2002/96/ЕС за одлагање на електрична и електронска опрема и се применува согласно националните закони. Електричните апарати кои го достигнале крајот на својот животен век мора да бидат одвоено собрани и вратени во соодветна рециклажна установа.



Заштитна класа II, електро-орудие, кај кое што заштитата од електричен удар не зависи само од базичната изолација туку каде што се применуваат и од дополнителни безбедносни мерки, како што е дуплата изолација или засилената изолација.



技术数据 角磨机	AG 12-115 X (220-240 V)	AG 12-115 X (110-120 V)	AG 12-125 X (220-240 V)
生产号	4281 36 01... 4280 51 01... 4280 61 01... ... 000001- 999999	4281 41 01... 4280 66 01... ... 000001- 999999	4280 78 01... ... 000001- 999999
输入功率	1200 W	1200 W	1200 W
额定转速	11000 min ⁻¹	11000 min ⁻¹	11000 min ⁻¹
磨片直径	115 mm	115 mm	125 mm
砂轮厚度	6 mm (1/4 ")	6 mm (1/4 ")	6 mm (1/4 ")
主轴螺纹	M 14	M 14	M 14
重量符合EPTA - Procedure01 / 2003	2,3 kg	2,3 kg	2,3 kg
噪音/振动信息 本测量值符合 EN 60 745 条文的规定。 器械的标准A-值噪音级为： ##音压值 (K=3dB(A)) ##音量值 (K=3dB(A)) 请戴上护耳罩！	89,0 dB(A) 100,0 dB(A)	89,5 dB(A) 100,5 dB(A)	89,0 dB(A) 100,0 dB(A)
依欧盟 EN 60745 标准确定的振荡总值（三方向矢量和）。 表面磨削: ah-振荡发射值 K-不可靠性= 砂纸研磨: ah-振荡发射值 K-不可靠性=	7,8 m/s ² 1,5 m/s ² 3,6 m/s ² 1,5 m/s ²	6,8 m/s ² 1,5 m/s ² 4,5 m/s ² 1,5 m/s ²	7,8 m/s ² 1,5 m/s ² 3,6 m/s ² 1,5 m/s ²



中文

技术数据 角磨机	AGV 12-125 X (220-240 V)	AGV 12-125 X PD (220-240 V)
生产号	4280 86 01... ... 000001- 999999	4332 41 01... ... 000001- 999999
输入功率	1200 W	1200 W
额定转速	11000 min ⁻¹	11000 min ⁻¹
磨片直径	125 mm	125 mm
砂轮厚度	6 mm (1/4 ")	6 mm (1/4 ")
主轴螺纹	M 14	M 14
重量符合EPTA - Procedure01 / 2003	2,4 kg	2,4 kg
噪音/振动信息 本测量值符合 EN 60 745 条文的规定。 器械的标准A-值噪音级为： ##音压值 (K=3dB(A)) ##音量值 (K=3dB(A)) 请戴上护耳罩！	89,0 dB(A) 100,0 dB(A)	89,0 dB(A) 100,0 dB(A)
依欧盟 EN 60745 标准确定的振荡总值（三方向矢量和）。 表面磨削: ah-振荡发射值 K-不可靠性= 砂纸研磨: ah-振荡发射值 K-不可靠性=	7,8 m/s ² 1,5 m/s ² 3,6 m/s ² 1,5 m/s ²	7,8 m/s ² 1,5 m/s ² 3,6 m/s ² 1,5 m/s ²

注意

本规程列出的依欧盟 EN 60745 标准一项标准测量方法测量的振荡级也可用于电动工具比较并适合于临时振荡负荷估计。
该振荡级代表电动工具的主要应用。电动工具的其他应用，不正确的工作工具或缺乏维护可造成振荡级偏差。此可明确提高总工作期间的振荡负荷。
正确地估计一定工作期间的振荡负荷也要考虑到工具关闭或接通而不使用的期间。此可明确减少总工作期间的振荡负荷。
为提高操作人员对振荡作用的保护得规定补充安全措施：电动工具及工作工具的维护，湿手，工作过程组织等。

中文

注意！ 务必仔细阅读所有安全说明和安全指示（应注意阅读附上的小册子）。如未确实遵循警告提示和指示，可能导致电击、火灾並且/或其他的严重伤害。
妥善保存所有的警告提示和指示，以便日后查阅。

特殊安全指示

有关研磨、砂纸研磨、钢丝刷作业、抛光作业和切割作业的安全事项：

a) 本电动工具可以充当研磨机、砂纸研磨机、电动钢丝刷、和切割机。务必遵循所有与电动工具有关的警告提示、操作说明、描述和数据。如果忽视以下的指示，可能遭受电击，造成火灾甚至受重伤。

b) 本电动工具不适用于砂纸和抛光工作。将本电动工具用于不适合的目的可致人员重伤的风险。

c) 不可以使用未经製造厂商指定或推荐的附件。即使您能够将此类附件固定在机器上，仍然无法确保操作安全。

d) 嵌装工具的允许转速必须至少为电动工具上载明的最高转速。当配件的转速超过其允许转速时有发生破碎和飞溅的危险。

e) 工具的外直径与厚度必须能够配合电动工具的尺寸。使用了大小不合的工具，不仅防护罩无法正确地发挥保护功能，甚至会造成机器失控。

f) 砂轮、法兰、磨盘或其他的附件必须与电动工具的砂轮轴完全吻合。如果磨具和电动工具的砂轮轴之间有间隙，不仅磨具无法均匀旋转，转动时甚至会强烈震动，进而造成机器失控。

g) 不可以使用损坏的工具。使用前先详细检查工具，例如检查砂轮上是否有剥落和撕裂的痕迹，检视磨盘是否已经出现裂痕，或强烈磨损，检查钢丝刷上是否有鬆脱和断裂的钢丝。如果电动工具或工具掉落地面，务必检查机器、工具是否摔毁了，为了安全起见也可以选用其它的好工具。检查並安装好工具之后，您本身以及您附近的人都必须远离转动中的工具。接著让电动工具以最高转速旋转一分钟。损坏的工具大多会在这段时间内断裂。

h) 穿戴好您个人的防护装备。根据用途选择合适的面具、眼罩或护目镜。视情况佩戴防尘面具、耳罩、防护手套或能够隔离细屑和金属碎片的特殊工作围裙。避免让操作机器时产生的飞动物体侵入眼睛。防尘面具或防毒面具必须能够过滤工作时产生的粉尘。长期暴露在高噪音的环境中，听力可能受损。

i) 与工作无关的人必须和工地保持安全距离。进入工作范围的人都必须穿戴好防护装备。工件的碎片或断裂的工具也可能飞离机器的操作地点，进而伤害工作范围以外的人。

j) 如果工作时可能割断隐藏著的电线或机器本身的电源线，那麼一定要握著绝缘手柄操作机器。切割工具接触到通电电线可将电压加到器械的金属部分并造成电击。

k) 机器的电源线必须远离自转中的工具。如果一时无法掌控机器，电源线可能被割断或卷入机器中，而您的手或手臂也可能被转动中的工具割伤。

l) 在工具尚未完全静止之前，千万不可以放下电动工具。处于自转状态的工具有可能接触工作桌面，会产生机器失控的情况。

m) 携带电动工具时，切勿开动机器。您的衣服或头髮可能因为一时疏忽而被卷入自转的工具中，甚至工具会割伤您的身体。

n) 定期清洁电动工具的通风孔。发动机会把灰尘吸入机壳中，机器中如果堆积了大量的金属尘容易造成触电。

o) 不可以易燃材料的附近使用电动工具。火花可能点燃这些材料。

p) 勿选择必须使用液态冷却剂的工具。使用水或液态冷却剂容易导致触电。

回击和有关的警告事项

运转中的工具，例如砂轮、磨盘和钢丝刷等，如果突然被卡住或堵住了，会造成突发性的反弹效应，这个反弹效应被称为回击。转动中的工具如果被堵住了或卡住了会突然停止转动，此时失去控制的电动工具会朝著工具转向的相反方向弹开。

如果砂轮在工件中被卡住或堵住了，陷在工件中的砂轮缘会被绊住，並造成砂轮断裂或产生回击。此时砂轮可能会朝著操作者移动，或飞离操作者，砂轮的移动方向是由砂轮在被阻挡处的转向决定。另外砂轮也可能因而断裂。

未按照规定使用电动工具或者操作不当，都会造成回击。确实遵守下列各防范措施可预防回击。

a) 牢牢地握住电动工具。握持机器和操作机器的姿态必须能够抵挡回击。如果机器配备了辅助手柄，一定要握著辅助手柄操作机器，如此才能有效控制回击，並且掌握开动机器时产生的反应扭力。採取合适的预防措施便能够有效控制回击力道和反应力。

b) 手不可以靠近转动中的工具。产生回击时工具可能割伤您的手。

c) 身体必须远离电动工具的回击范围。发生回击时，电动工具会朝著砂轮转向的相反方向弹开。

d) 在角落和锋利的边缘上工作时必须特别小心。避免让工具回弹或是被工件夹住。转动中的工具容易被夹在角落或锋利的边缘上。如果发生上述状况，可能无法控制机器或者造成机器回击。

e) 请不要使用锯链片或者带齿的锯片。这类的嵌装工具往往会导致发生反冲，或者造成对电动工具的失控。

针对研磨和切割的特殊警告事项

a) 只能使用电动工具的专用磨具，以及能够配合磨具的防护罩。防护罩无法正确地覆盖住非本电动工具专用的磨具，因此容易产生工作意外。

b) 安装弯曲的砂轮时，务必注意到砂轮的研磨面不突出于防护罩缘之外。防护罩不能足够的遮蔽突出于防护罩缘之外不正确安装的砂轮。

c) 务必使用磨具专用的防护罩。防护罩要正确地安装在电动工具上。适度调整防护罩以便发挥它最大的安全功能。换言之，朝向操作者的磨具部位必须尽可能被防护罩覆盖住。防护罩必须能够保护操作者免受碎片割伤，以及预防操作者不小心碰触磨具。



中文

d) 务必依照规定使用磨具。例如：不可以使用切割片的侧缘研磨。切割片主要是利用刀片的边缘切除材料。如果在此类磨具的侧面过度加压，会导致磨具破裂。

e) 只能使用完好的紧固法兰。并根据砂轮的尺寸选择大小正确和形状合适的法兰。合适的法兰能够正确支撑砂轮，并减低砂轮破裂的可能性。切割片的专用法兰，不同于其它砂轮的法兰。

f) 不可以使用大型电动工具的老旧砂轮。不可以使用大型电动工具的老旧砂轮。大型电动工具的砂轮不适用于小型电动工具的高速档，此时可能造成砂轮断裂。

与切割有关的其它特殊警告事项

a) 避免让切割片卡住，也不可以过度用力推压切割片。划痕不可以过深。切割片如果承受过大的负荷容易弯曲倾斜或被卡住，进而发生回击或磨具破裂等情形。

b) 远离转动中切割片的前、后区域。向前推动切入工件中的切割片时，电动工具可能因为突然发生的回击反应，连同转动中的切割片一起弹向操作者。

c) 在切割片被夹住或者突然中断工作时，要马上关闭电动工具，并镇静地等待切割片减速且停止转动。切勿试图从割痕中拔出仍继续自转的切割片，这样可能造成机器回击。尽快检查机器，找出导致切割片被夹住的原因并将其排除。

d) 如果切割片仍然插在工件中，则勿开动电动工具。等待切割片的转速上升到正常标准后，再小心地进行未完成的锯割工作。否则切割片可能被夹在工件中，也可能从工件中弹出或者会造成回击。

e) 支撑好板子或大型的工件，以防止切割片被夹住而发生回击状况。大型的工件比较容易弯曲，所以必须加强工件两侧的固定工作。在割痕附近和工件边缘也要另外安装支撑。

f) 在墙面和隐蔽处进行“口袋式切割”时必须特别小心。切入工件中的切割片如果割断了瓦斯管、水管、电线或其他的物体，很可能发生回击。

有关砂纸研磨的特殊警告事项

a) 不可以使用过大的砂磨纸。请按照机器制造商提供的尺寸，选购合适的砂磨纸。砂磨纸如果突出磨盘之外可能引起伤害或堵住磨盘。而且过大的砂磨纸容易被扯破甚至还会造成机器回击。

使用钢丝刷作业时的特殊注意事项

a) 注意，钢丝刷上的钢丝在一般的操作情况下也会掉落。如果用力推压钢丝刷会无谓地加重钢丝的负荷。掉落的钢丝容易刺穿薄的衣物或皮肤。

b) 使用防护罩时，必须防止防护罩接触钢丝刷。操作机器时的推力以及离心力都会加大大轮刷和杯刷的直径。

户外插座必须连接剩余电流防护开关。这是使用电器用品的基本规定。使用本公司机器时，务必遵守这项规定（FI, RCD, PRCD）。

如果机器仍在运转，切勿清除其上的木屑或金属碎片。

确定机器已经关闭了才可以插上插头。

请在运转中的机器保持安全距离。

务必使用辅助把手。

进行粗磨和分割时务必使用防护罩。

如果机器强烈震动或出现其它毛病，必须马上关闭机器。详细检查机器以找出故障的原因。

根据磨盘制造商提供的指示操作、储藏磨盘。

研磨金属时会产生火花。勿让飞溅的火花伤害旁观者。为了预防火灾，工作范围内（火花的飞溅范围内）不可堆放易燃物品。不可以使用吸尘装置。

握持机器时请注意，勿让火花或研磨屑喷到身上。

分割石材时务必使用导引条。

使用机器之前必须先收紧法兰螺母。

如果工件无法靠本身的重量站稳，则必须使用固定装置夹紧工件。割锯时切勿用手握持工件。

在某些极端的使用状况下（例如用支撑磨盘和纤维板磨盘研磨金属表面），会在角磨机的内部囤积大量污垢。基于安全的理由，必须彻底清除机器内部的金属堆积物，并且要在机器上连接剩余电流（FI）防护开关。如果剩余电流防护开关发出警告讯号，要尽快把机器交给合格修理厂修理。

使用有螺纹安装孔的磨盘时必须注意，安装孔上螺纹的长度必须能够配合主轴的长度。

切割工作时，得关闭防护罩（含附件目录中）。

正确地使用机器

角磨机用于切割和粗磨金属、石块等各种材料，并可用塑料盘研磨及用钢丝刷工作。有疑义时，请留意于附件制造者的注意事项。角磨机用于切割和粗磨金属、石块等各种材料，并可用塑料盘研磨及用钢丝刷工作。有疑义时，请留意于附件制造者的注意事项。

请依照本说明书的指示使用此机器。

电源插头

只能连接单相交流电，只能连接机器铭牌上规定的电压。本机器也可以连接在没有接地装置的插座上，因为本机器的结构符合第II级绝缘。

维修

机器的通气孔必须随时保持清洁。

不可以让金属碎片掉入通风孔中，可能导致短路。

只能使用 Milwaukee 的配件和 Milwaukee 的零件。缺少检修说明的机件如果损坏了，必须交给 Milwaukee 的顾客服务中心更换（参考手册“保证书/顾客服务中心地址”）。

如果需要机器的分解图，可以向您的顾客服务中心或直接向 Techtron Industries GmbH, Max-Eyth-Straße 10, 71364 Winnenden, Germany 联络。案件时必须提供以下资料：机型和机器铭牌上的六位数字码。



中文

AGV 12-125 X, AGV 12-125 XPD

电子缓速起动装置可以避免机器猛然起动，让使用者能够握稳机器安全操作。

零电压开关能够防止停电之后，机器突然地起动。如果要再度使用机器，必须先关闭机器并重新开机。

由于机器具有超载和防反弹防护功能，相应超载下机器将停止。请注意到去载后机器将自动恢复正常工作速度。机器获得了工作速度后，可以继续工作。

符号



使用本机器之前请详细阅读使用说明书。



请注意！警告！危险！



操作机器时务必佩戴护目镜。



在机器上进行任何修护工作之前，务必从插座上拔出插头。



配件 - 不包含在供货范围中。请另外从配件目录选购。



不可以把损坏的电动工具丢弃在家庭垃圾中！根据被欧盟各国引用的有关旧电子机器的欧洲法规2002/96/EC，必须另外收集旧电子机器，并以符合环保规定的方式回收再利用。



保护等级II，具有不只依赖于基本绝缘，但依赖于双重或强化绝缘等保护措施电击保护的电动工具。

Copyright 2013

Techtronic Industries GmbH
Max-Eyth-Straße 10
71364 Winnenden
Germany

+49 (0) 7195-12-0



(05.13)

4931 4250 15